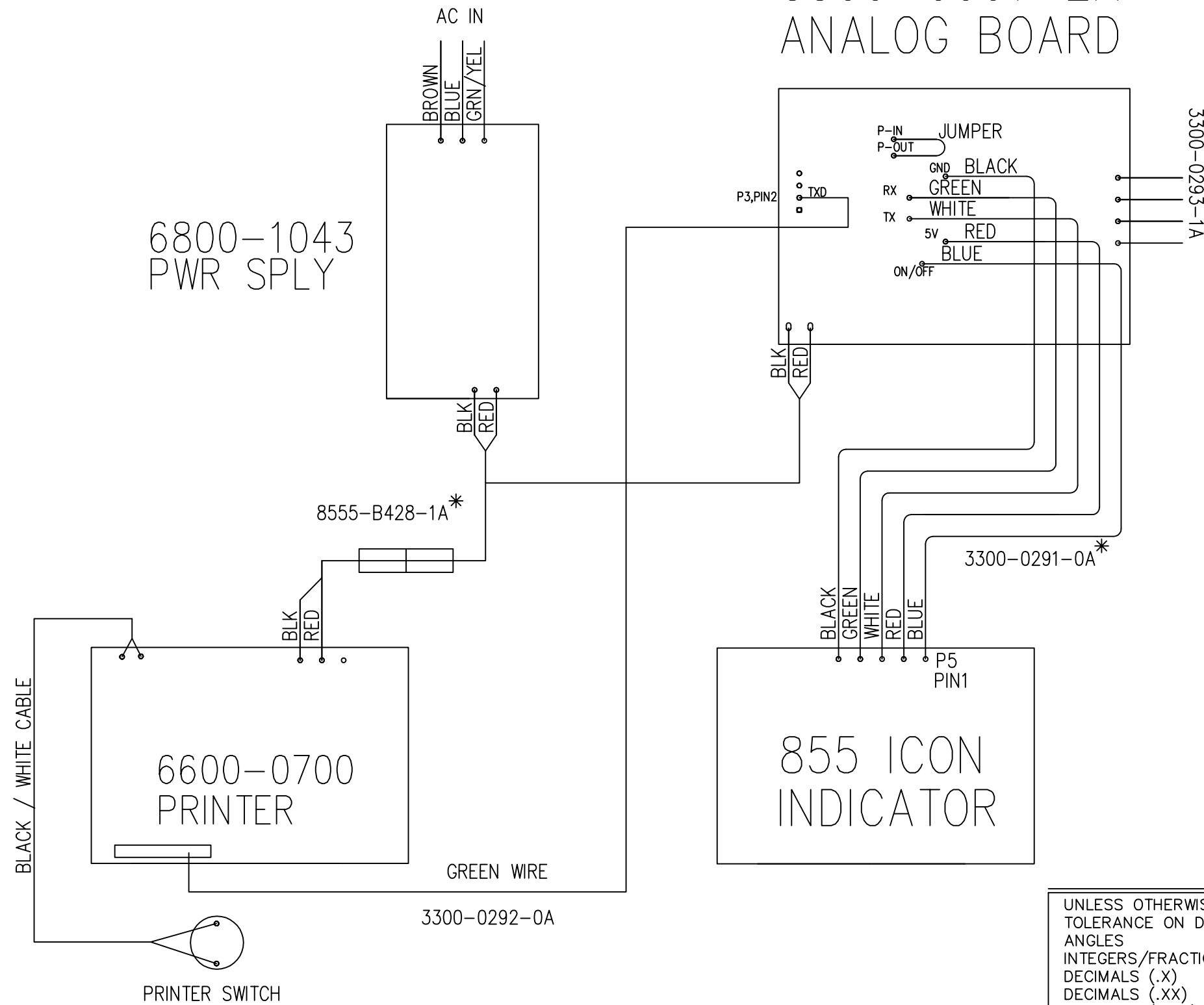


REVISION RECORD

LTR	DESCRIPTION	DATE	BY
A	RELEASED	2,7,17	28114 bs/
B	CLEANUP	3,24,17	28172 bs/

# 3300-0001-2A ANALOG BOARD



\* NOTE: THESE TWO CABLES ARE PART OF 3300-0001-2A ANALOG BOARD ASSEMBLY

UNLESS OTHERWISE SPECIFIED  
TOLERANCE ON DIMENSIONS ARE:  
 ANGLES ± 1/2°  
 INTEGERS/FRACTIONS ± 1/16 IN.  
 DECIMALS (.X) ± .03 IN.  
 DECIMALS (.XX) ± .01 IN.  
 DECIMALS (.XXX) ± .005 IN.  
 NOTE: WHOLE NUMBERS MUST BE WRITTEN XX.000 TO INVOKE DECIMAL TOLERANCES.

THIS DRAWING IS THE PROPERTY OF THE CARDINAL SCALE MFG. CO. AND SHALL NOT BE USED NOR REPRODUCED EITHER WHOLLY OR IN PART EXCEPT WITH WRITTEN AUTHORIZATION. ALL RIGHTS OF DESIGN OR INVENTION ARE RESERVED.

**Cardinal**  
 Cardinal Scale Manufacturing Co.  
 WEBB CITY, MISSOURI · USA · 64870

CARDINAL  
 DETECTO  
 FULLER WEIGHING SYSTEMS

TITLE DIALYSIS SCALE INTERCONNECT			
SCALE	NTS	DO NOT SCALE DRAWING	NEXT ASSEMBLY
DR.	bs	DATE	<b>B</b>
CH.		DATE	
MODEL		SHEET 1 OF 1	DWG. NO. 3300-0290-02
			REV. B