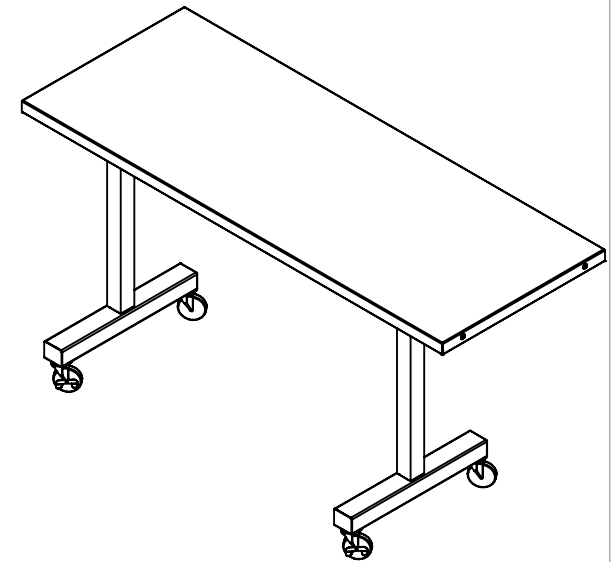
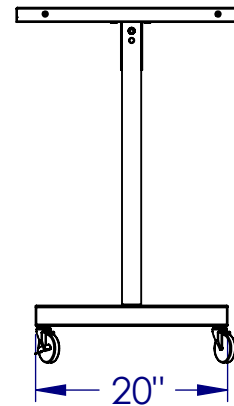
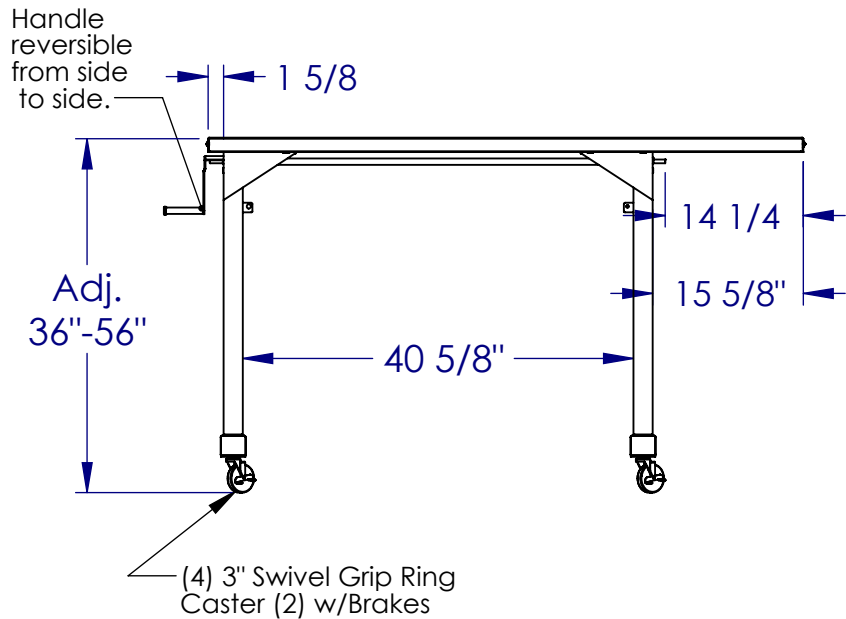


| REV | DESCRIPTION | DATE | APPROVAL |
|-----|-------------|----------|----------|
| EA | BI Baseline | 12/02/19 | PJM |
| | | | |
| | | | |
| | | | |

Adjustable Height Instrument Tables are designed to straddle the OR table, and offer twenty inches of travel to accommodate changes in table position during neuro, cardiac and orthopedic surgery. When used in general surgery, the table can be adjusted to accommodate the varying heights of personnel. This model can be adjusted manually with a detachable crank handle. Tables travel easily on four, 3" casters, (2) casters with brakes. 7895SS-0X 62L x 24W w/Offset one side 14"



| | | | | | | |
|--|--------------|----------------------------------|--------------|---|-------------|--------------|
| BLICKMAN | | NAME | DATE | BLICKMAN INDUSTRIES, LLC LYNDHURST, N.J. | | |
| PO#: _____ | DATE: _____ | DRAWN | PJM 11/25/19 | | | |
| APPROVAL: _____ | TITLE: _____ | ENG APPR. | | TITLE: Georgetown Adj. Table, 7895SS-0X 62Lx24W w/14"Offset | | |
| <p>PROPRIETARY AND CONFIDENTIAL</p> <p>THE INFORMATION CONTAINED IN THIS DRAWING IS THE SOLE PROPERTY OF BLICKMAN HEALTH INDUSTRIES. ANY REPRODUCTION IN PART OR AS A WHOLE WITHOUT THE WRITTEN PERMISSION OF BLICKMAN HEALTH INDUSTRIES IS PROHIBITED.</p> | | MATERIAL | | SIZE | DWG. NO. | REV |
| | | Stainless Steel 304 | | A | 0157895062 | EA |
| | | FINISH | | DO NOT SCALE DRAWING | SCALE: 1:20 | SHEET 1 OF 1 |
| <p>UNLESS OTHERWISE SPECIFIED: DIMENSIONS ARE IN INCHES BEND RADIUS = MTL. THK.</p> <p>TOLERANCES: FRACTION: ±1/8" DECIMAL: ±.125"</p> | | <p>APPRX WEIGHT = 98.641 lbs</p> | | | | |