

XL Printer Shelf

Dimensional Illustrations and Installation Instructions

SKU Number: 1786565



CAPSAHEALTHCARE

Product Description

The XL Printer Shelf provides a secure and accessible way to mount large printers or other heavy devices.

Features and Benefits

- Integration of a printer on mobile computing cart improves workflow efficiency by allowing printing directly at the bedside.
- Ability to hold up to 30 lbs provides a multi-functional surface area.
- Packaging includes the 3 Sided Mounting Bracket for easy shelf installation.

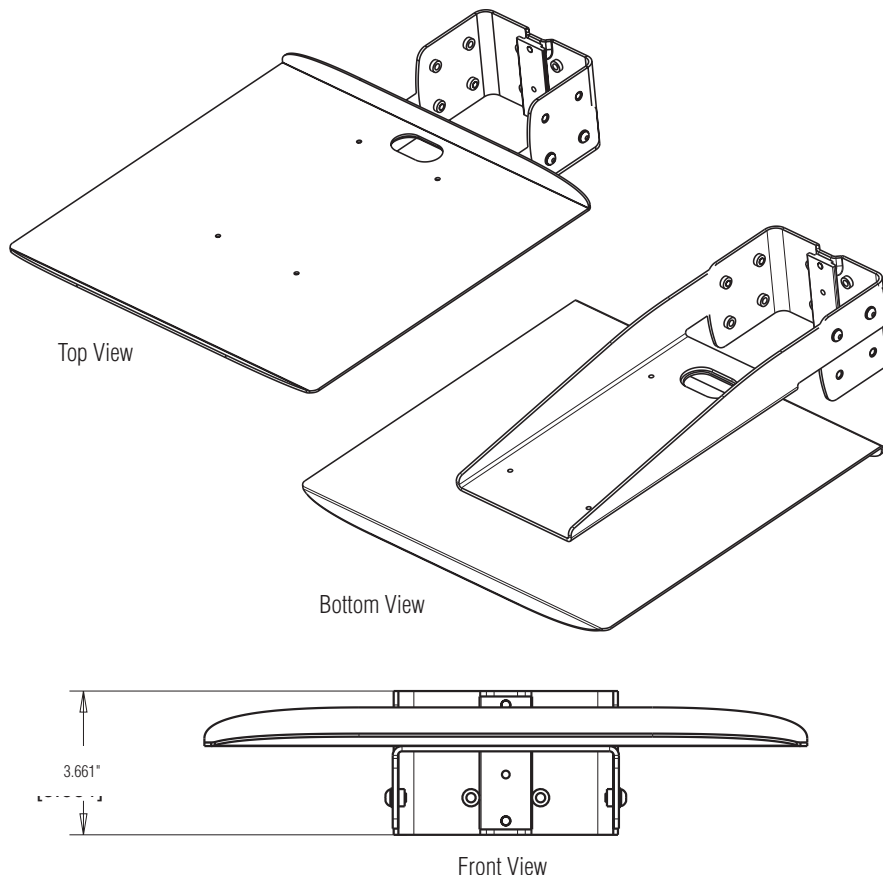
Specifications

Accepted on all M38, M38 XP, and M38 RX Carts (Recommended for M38 Carts).

Dimensions: 20.80"h x 15.35"w x 3.66"d

Weight: 10 lbs

Tip Hazard: Mounting heavy loads high on the cart could cause instability.



Installation Instructions

1. Ensure the t-nut is secured to the 3 Sided Bracket.
2. Slide the 3 Sided Bracket down the t-track until it rests at the desired location.
3. Secure the XL Printer Shelf to the 3 Sided Bracket using the provided mounting screws (see Figure 1, below).

Note: For M38 front t-track mounting, the 3 Sided Mounting Bracket should embrace the back t-track in order for the Shelf to attach from the front.

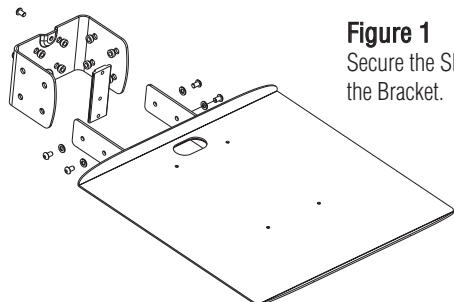
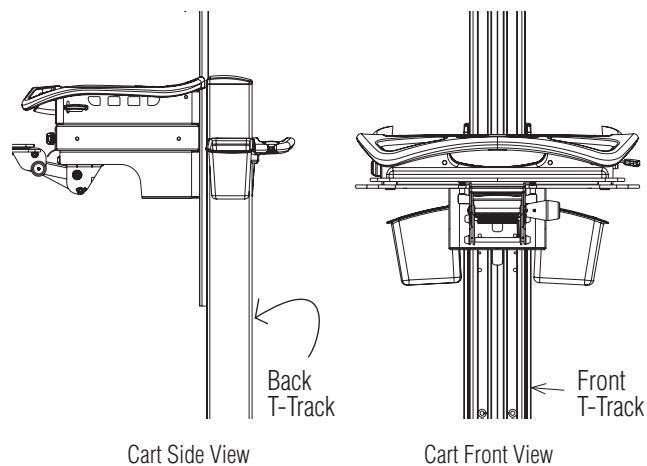


Figure 1
Secure the Shelf to the Bracket.

Mounting Location

- M38: Option of front (recommended) or back t-tracks
- M38 XP and M38 RX: Back t-track



Specifications subject to change without notice.