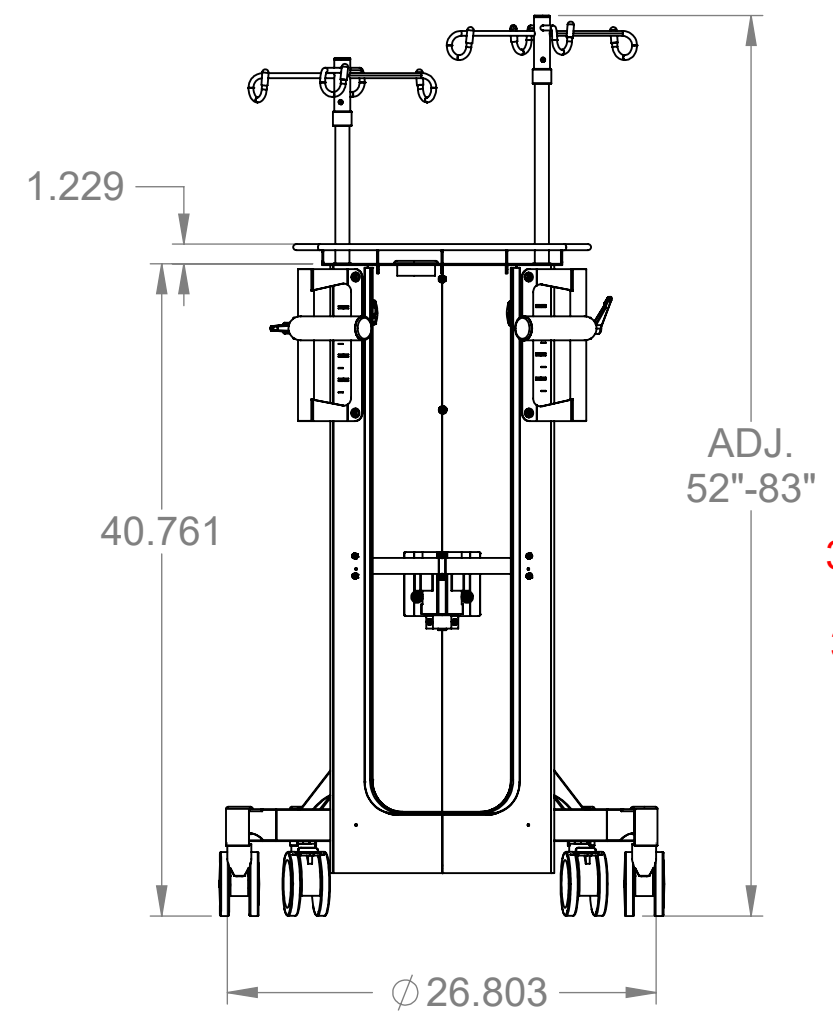
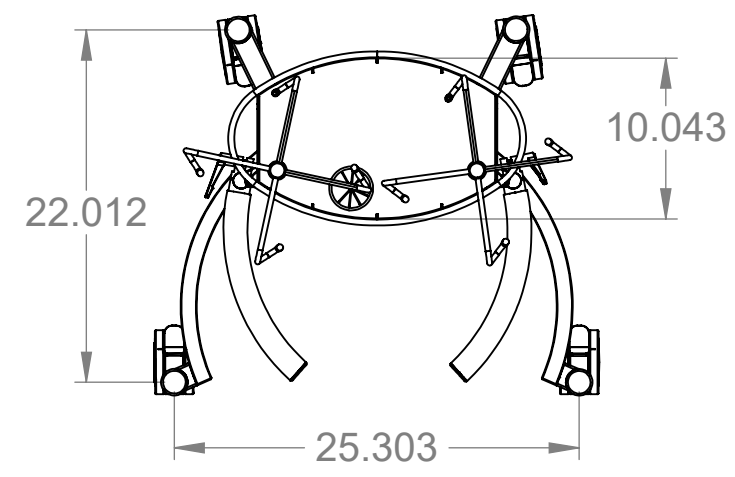
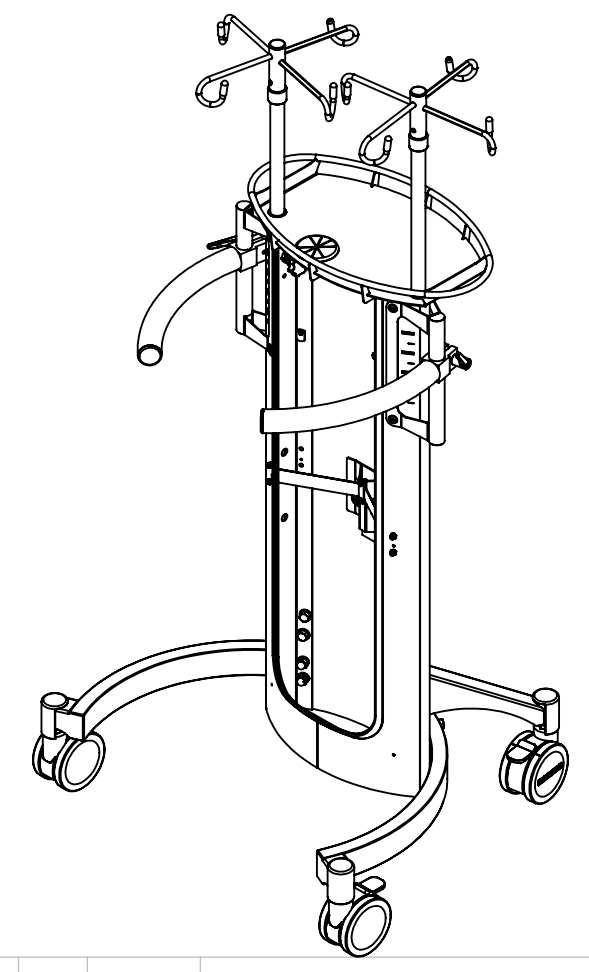
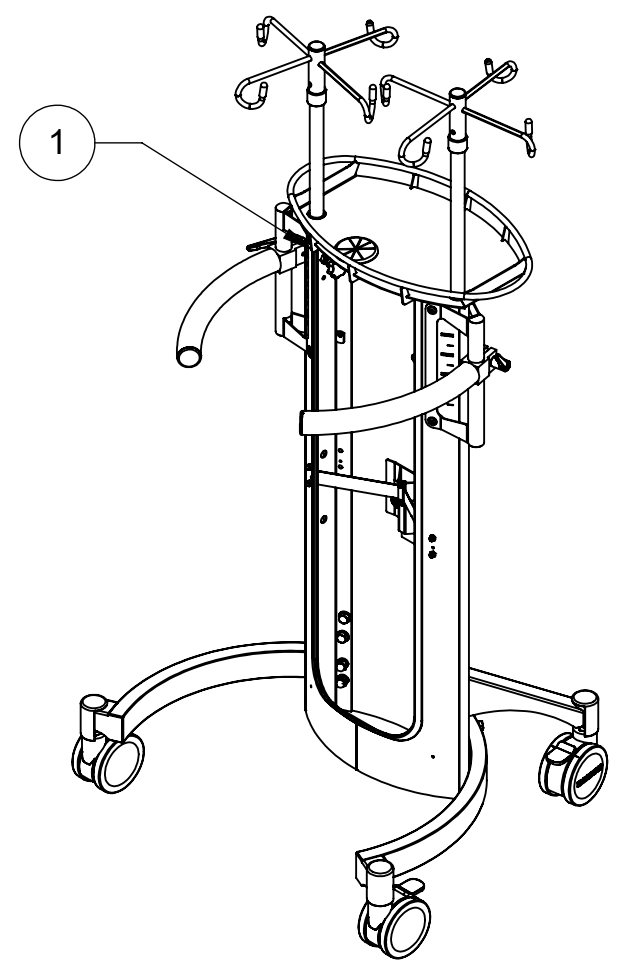
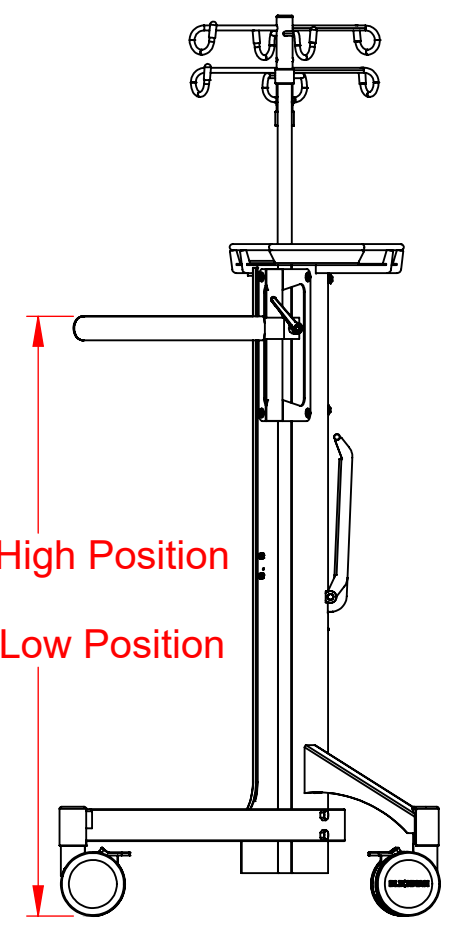


Revisions			
Rev	Description	Date	Approval
PB	BI Baseline	11/26/14	
PC	Added Parts	01/29/15	
PD	Added 15/16" Wrench	09/21/15	
PE	Added TDNZ900001 & TDNZ900002	1/12/17	
PF	Moved Adapter Hok to Up level (ECR#6950)	01/17/18	A.F
PG	Remove Box Kit, add Box components (ECR#6953)	6/1/2018	A.F



ADJ.
52"-83"

38.875" High Position
33.375" Low Position



H:\SW\Work Table\Walker\



PO#: _____ DATE: _____
APPROVAL: _____ TITLE: _____

PROPRIETARY AND CONFIDENTIAL
THE INFORMATION CONTAINED IN THIS DRAWING IS THE SOLE PROPERTY OF BLICKMAN HEALTH INDUSTRIES. ANY REPRODUCTION IN PART OR AS A WHOLE WITHOUT THE WRITTEN PERMISSION OF BLICKMAN HEALTH INDUSTRIES IS PROHIBITED.

UNLESS OTHERWISE SPECIFIED:
DIMENSIONS ARE IN INCHES
TOLERANCES:
3 PLACE .000 = ± .062
2 PLACE .00 = ± .125
1 PLACE .0 = ± .250
ANGULAR ± .5°

NAME	DATE
M.J	11/26/2014
ENG APPR.	A.F 01/17/2018
MATERIAL	N/A
FINISH	N/A
APPRX WEIGHT	= 60.680 lbs

BLICKMAN INDUSTRIES, LLC CLIFTON, N.J.		
TITLE: Nezzie, Ambulation Device		
SIZE B	PART NO. 0429000000	REV PG
DO NOT SCALE DRAWING	SCALE: 1:12	SHEET 1 OF 1