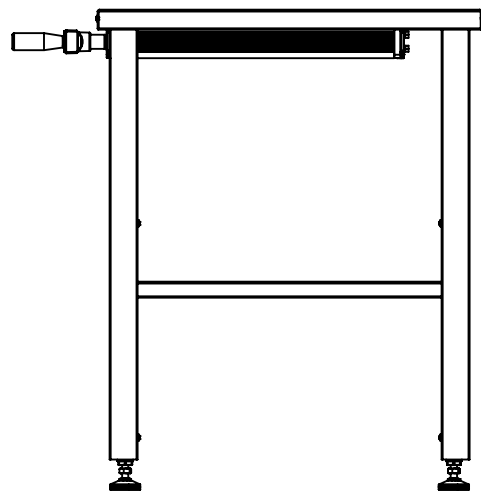
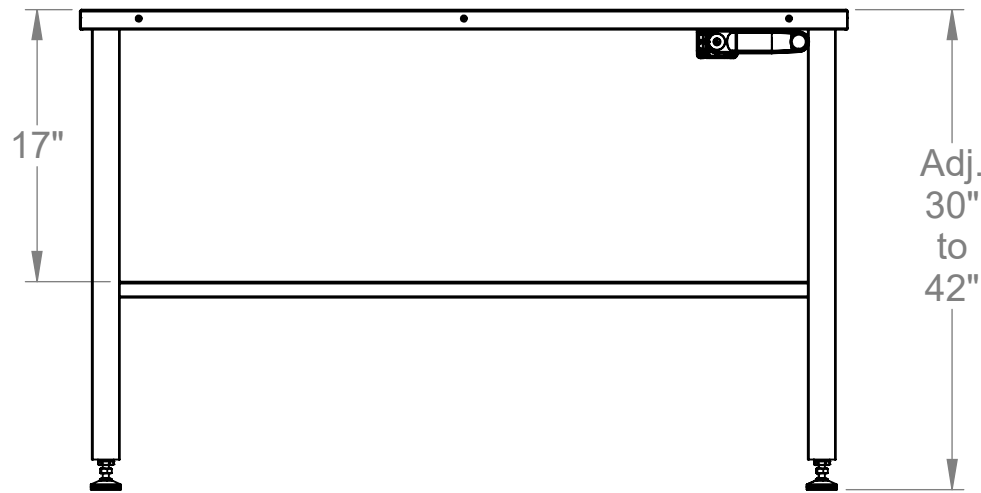
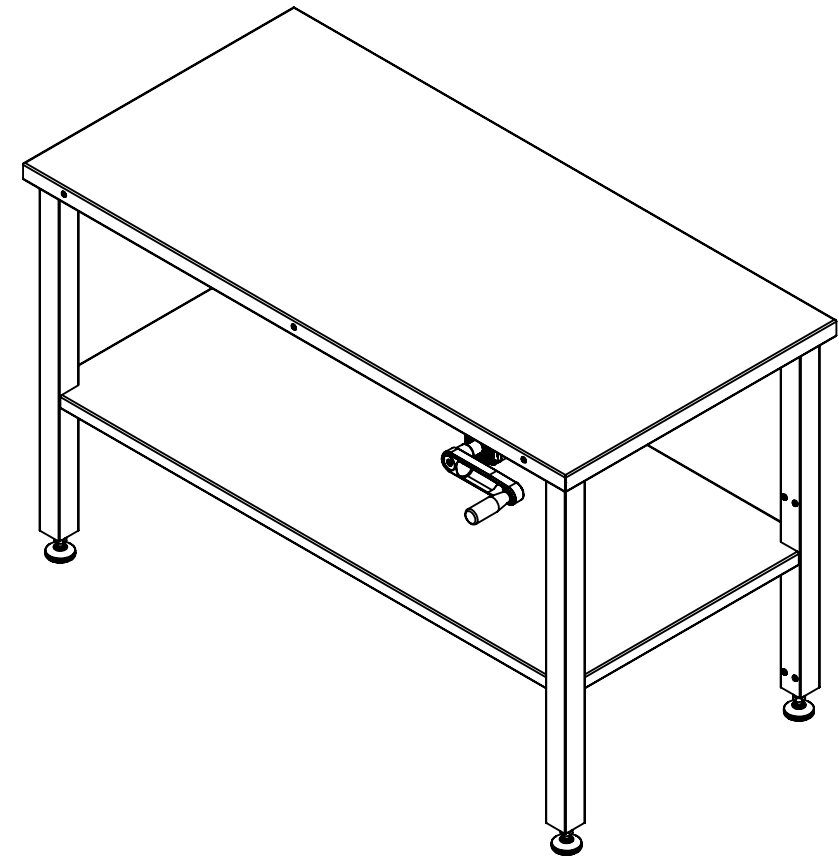
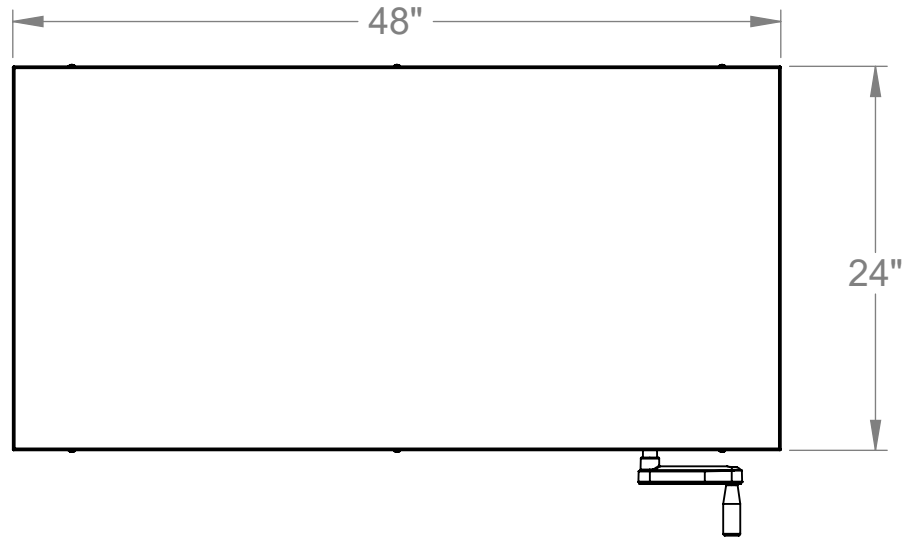


Hydraulic Instrument Table

Our hydraulic instrument table is height adjustable to ensure compatibility with multiple OR table heights and healthcare personnel heights. Adjust its height with a manual hand crank from 30" - 42". It includes one lower shelf and stands stationary on glider feet tips.

Revisions			
Rev	Description	Date	Approval
PA	062915-JG-1	07/24/15	
PB	Added Lumber	09/04/15	



H:\SW\New Table\Hydraulic Table\



PO#: _____ DATE: _____
 APPROVAL: _____ TITLE: _____

PROPRIETARY AND CONFIDENTIAL
 THE INFORMATION CONTAINED IN THIS DRAWING IS THE SOLE PROPERTY OF BLICKMAN HEALTH INDUSTRIES. ANY REPRODUCTION IN PART OR AS A WHOLE WITHOUT THE WRITTEN PERMISSION OF BLICKMAN HEALTH INDUSTRIES IS PROHIBITED.

UNLESS OTHERWISE SPECIFIED:
DIMENSIONS ARE IN INCHES
TOLERANCES:
 3 PLACE .000 = ± .062
 2 PLACE .00 = ± .125
 1 PLACE .0 = ± .250
 ANGULAR ± .5°

NAME	DATE	BLICKMAN INDUSTRIES, LLC LYNDHURST, N.J.		
DRAWN M.J	07/24/2015	TITLE: Hydraulic Adj. Table, 7835HYD 48X24		
ENG APPR.		SIZE B	PART NO. 0177835000	REV PB
MATERIAL Stainless Steel 300 Series	FINISH Pol# 2	APPRX WEIGHT = 91.843 lbs		
DO NOT SCALE DRAWING		SCALE: 1:12	SHEET 1 OF 1	