

475 / 6475 series

CHAIR SCALES

- Up to 400 lb Capacity
- Lift-away Armrests
- Fold-up Footrest
- Integral Wheels for Easy Transport
- Sturdy Steel Construction



Detecto
Model 6475
Digital Chair Scale

DETECTO's chair scales arrive fully-assembled and ready for weighing use.

These chair scales are of great benefit to disabled patients, dialysis patients, and elderly patients since they relieve any of the stress involved in the act of standing during the traditional weighing process by providing a place for the patient to sit comfortably while their weight and BMI are measured. DETECTO's chair scales are ideal for clinics, hospitals, and physician offices.

The model 6475 features a 400 lb x 0.2 lb and 180 kg x 0.1 kg capacity. You may easily switch between imperial and metric readings by pressing the UNITS key. The 3/4-inch-high LCD displays large bold readouts and also provides Body Mass Index calculation. Lift-away armrests on both sides of the scale allow patients to access the chair laterally from either direction.

DETECTO chair scales help keep patients secure while achieving optimal accuracy.



Lift-away armrests on both sides of the scale allow the patient to access the chair laterally from a wheelchair or bed.



The fold-up footrest provides additional patient support while weighing and retracts when not in use.

Detecto
Model 6475
Digital Chair Scale





Models 475/4751

Mechanical Weighbeam
No Power Required



Models 6475/6475K

Digital Weight Readouts
Digital Speed and Accuracy

The plastic-molded seat provides the utmost in patient comfort.

The digital chair scale models can operate on six AA batteries (not included), allowing them to be completely mobile.

An RS232 serial port provides EMR/EHR connectivity for efficient patient record-keeping.



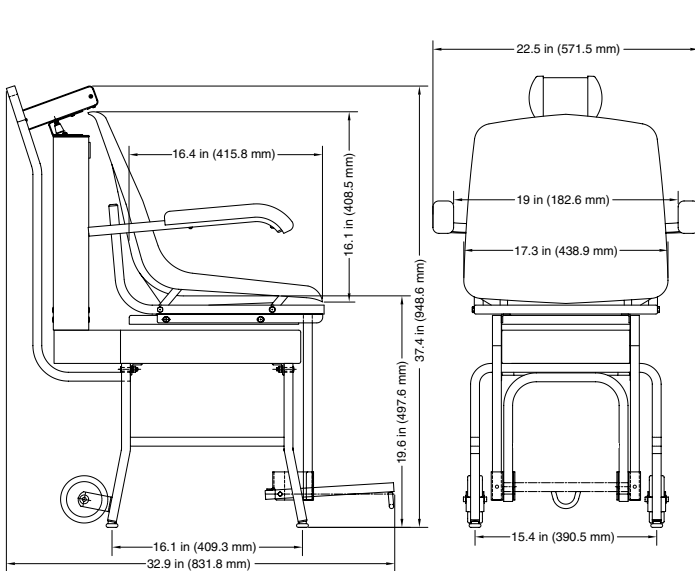
Quality steel construction is apparent throughout the scale, especially in the heavy-duty understructure which is designed for optimal strength and patient safety.

DETECTO chair scales are conveniently portable with built-in rear wheels and transport handle, so they may be moved to wherever your weighing needs are located, offering a mobile advantage.

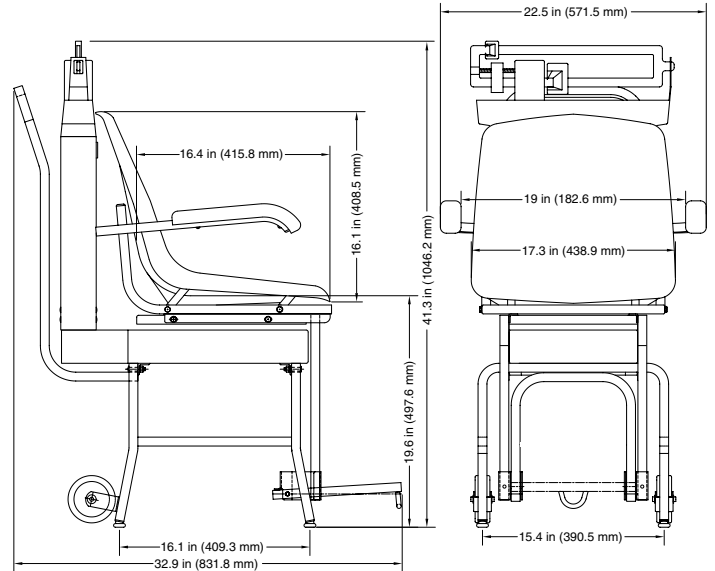


475 / 6475 series

CHAIR SCALES



Models 6475/6475K



Models 475/4751

Model	6475	6475K	475	4751
Capacity	400 lb x 0.2 lb / 180 kg x 0.1 kg	180 kg x 0.1 kg	400 lb x 4 oz	400 lb x 4 oz / 175 kg x 100 g
Type	Digital		Mechanical	
Shipping Weight	78 lb / 35.3 kg		78 lb / 35.3 kg	
UPC Code	809161138207	809161138306	809161137903	809161138009
Power	6 AA batteries (not included) or optional AC adapter (part no. 6800-1045)			
Display	0.7-in (19-mm) high LCD, 6 digit, 7 segment			
Keyboard	Membrane type with 5 keys and 4 directional arrows			
Function Keys	ZERO, UNITS, LOCK/RELEASE, BMI/ENTER, ON/OFF, Arrow Keys, Down Arrow/PRINT			
Connectivity	RS232 serial port			

Detecto Scale reserves the right to improve, enhance, or modify features and specifications without prior notice.



SOLD BY:

