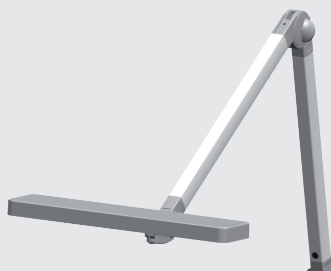


Instructions For Use **ENG**



ALD

Column light

ENG	Table of Contents	12
------------	-------------------------	----

Table of Contents

1.	For your safety	13
1.1	Designated use	13
1.2	Safety instructions.....	13
1.3	Warning levels.....	14
2.	Mounting	14
2.1	Mounting the fastening elements.....	14
2.2	Mounting the light to the fastening element	14
3.	Positioning	15
4.	Connection	15
4.1	Connecting the luminaire to the mains voltage.....	15
4.2	Connecting the luminaire to the 24 V supply voltage (SELV).....	16
5.	Operation	16
5.1	Switch-on and switch-off	16
5.2	Dimming.....	16
6.	What to do if?	17
7.	Maintenance	18
7.1	Replacing the lamp.....	18
8.	Cleaning	18
9.	Repair	18
10.	Disposal	18
11.	Technical data	19
11.1	Dimensions	19
11.2	Electrical values.....	19
11.3	Classifications	19
11.4	Symbols	19

1. For your safety

The light has been designed in accordance with state-of-the-art standards, manufactured with utmost care using high-quality materials, and tested.

Nevertheless, its use may constitute a risk to persons or cause material damage.



- ▶ Read all enclosed instructions and information.
- ▶ Please observe the warnings included in the documentation and attached to the unit.
- ▶ The device must only be used in technically perfect condition, and only by persons being aware of the risks and dangers involved in operating the device.
- ▶ Keep this document available near the device.

1.1 Designated use

The light is a workplace light and is designed for single workplace lighting. The light is used in addition to general lighting.

1.2 Safety instructions

Explosion hazard

Operating the light in rooms subject to explosion hazards can trigger an explosion and result in serious injuries or death.

- ▶ **Do not** operate the light in rooms subject to explosion hazards.

Danger due to electric current

Improper use and faulty work on the light may result in injuries and material damage.

- ▶ Compare the mains voltage with the nominal voltage and the frequency specified on the rating plate and make sure that they are identical.
- ▶ Lay the connecting cable in such a way that it cannot be damaged.
- ▶ Disconnect a damaged connecting cable immediately from the power supply and have it replaced by the manufacturer, by a service technician authorised by the manufacturer or by a person with comparable qualification.
- ▶ Have the maintenance and repair performed by the manufacturer, by a service technician authorised by the manufacturer or by a person with comparable qualification.
- ▶ Before performing work on the light, disconnect the light from the power supply.

Mount the light in a stable position

A toppling light can result in personal injuries and material damage.

- ▶ Mount the light in a stable position.

Hazard caused by unsuitable spare parts

Unsuitable spare parts can result in injuries and material damage.

- ▶ Only spare parts released by the manufacturer may be used as spare parts.

Risk of corrosion

Operating the light in moist rooms can result in material damage.

- ▶ Operate in dry rooms only.

1.3 Warning levels

⚠ DANGER

Warnings against hazards that result **directly in serious injuries or death** in case of non-observance.

⚠ WARNING

Warnings against hazards that may result in **serious injuries or death** in case of non-observance.

⚠ CAUTION

Warning against hazards that may result in **injuries** in case of non-observance.

NOTICE

Warning against hazards that may result in **material damage** in case of non-observance.

2. Mounting

⚠ CAUTION

Risk of injury caused by a falling or tilting light.

Personal injury and material damage.

- ▶ Mount fastening elements correctly.

2.1 Mounting the fastening elements

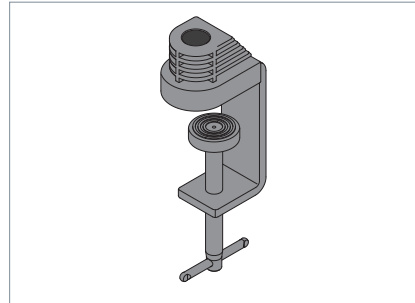


Fig. 1: Fastening element.

- ▶ Mount the fastening element to a suitable mounting surface.

2.2 Mounting the light to the fastening element

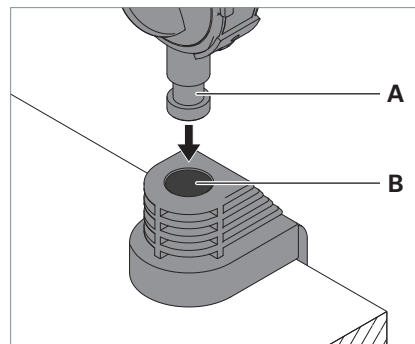


Fig. 2: Mounting the light to the fastening element.

- ▶ Insert the stud **A** on the light support into the opening **B** of the fastening element, see Fig. 2.

3. Positioning

⚠ CAUTION

Risk of injury caused by a falling or tilting light.

Personal injury and material damage.

- ▶ Hold the light head when unscrewing the pivot screws.
- ▶ After positioning the support, tighten the pivot screws.

NOTICE

Material damage caused by wrong handling.

Damage to the light.

- ▶ Do **not** move the joints opposite to the intended direction of rotation.
- ▶ Place the light in the desired position.

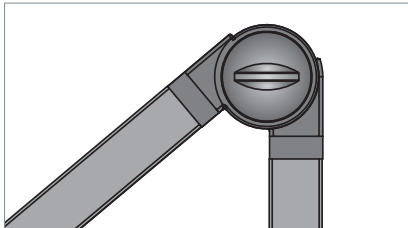


Fig. 3: Pivot and pivot screw.

- ▶ For luminaires fitted with pivots: Tighten each pivot screw until the luminaire is fixed in the desired position, see Fig. 3.

4. Connection

4.1 Connecting the luminaire to the mains voltage

NOTICE

Material damage caused by wrong mains voltage.

Damage or destruction of the light.

- ▶ Check whether the mains voltage matches the nominal voltage and the frequency specified on the rating plate and make sure that they match.

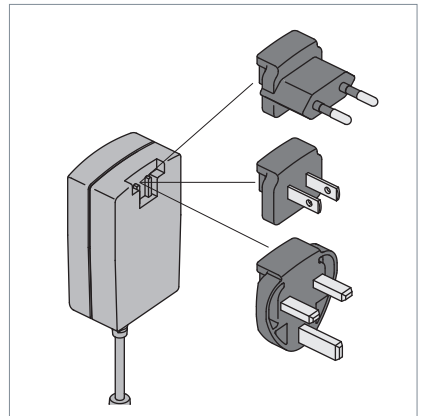


Fig. 4: Power supply with plug adapters.

- ▶ Connect the connecting cable of the luminaire to the power supply unit.
- ▶ Plug the power supply unit into a socket.

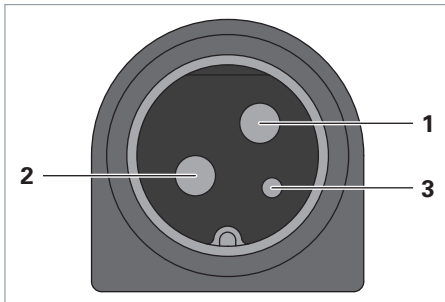
4.2 Connecting the luminaire to the 24 V supply voltage (SELV)

NOTICE

Material damage caused by wrong mains voltage.

Damage or destruction of the luminaire.

- ▶ The connection must be made by a trained skilled electrician only.
- ▶ Compare the mains voltage with the nominal voltage and the frequency specified on the rating plate and make sure that they are identical.
- ▶ Operate the luminaire at safety extra low voltage (SELV) only.



No.	Designation
1	DC +
2	DC -
3	Not connected

Tab. 1: Pin assignment.

NOTE: Please observe the pin assignment.

- ▶ Plug the plug into the socket provided for this purpose.

5. Operation

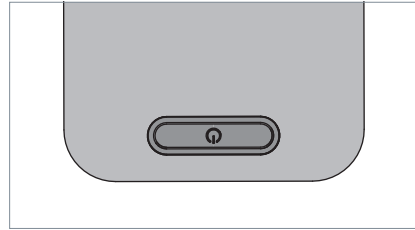


Fig. 5: Switch.

5.1 Switch-on and switch-off

- ▶ Press the switch, see Fig. 5.

5.2 Dimming

- ▶ Press the switch and keep it depressed, see Fig. 5.

After about one second, the light will change its brightness.

- ▶ To change the dimming direction, press the switch again and keep it depressed.

This will save the set brightness. The next time the light is switched on, the brightness saved last will be set.

6. What to do if?

Problem	Possible causes	Corrective action
Light is not lit.	Mains plug not plugged in.	▶ Plug the plug into a socket or into the socket provided for this purpose, see chapter 4 "Connection", page 15.
	Electronic components are defective.	▶ Contact our experts.
Light does not respond to inputs.	Software function is defective.	▶ Unplug the mains plug for a few seconds.
		▶ If the light still doesn't respond, contact our experts.
The connecting cable is damaged.	Mechanical impact on the connecting cable.	▶ Disconnect a damaged connecting cable immediately from the power supply and have it replaced by the manufacturer, by a service technician authorised by the manufacturer or by a person with comparable qualification.

Tab. 2: What to do if?

7. Maintenance

7.1 Replacing the lamp

NOTE: The light is maintenance-free. A lamp replacement is not required. If nevertheless a lamp should break down,

8. Cleaning

WARNING

Danger of death due to electric shock.

- ▶ Disconnect the light from the mains.
- ▶ **Do not** clean with a wet cloth.

NOTICE

Material damage caused by using wrong cleaning agents.

Damage to the light.

- ▶ Make sure the cleaning agent is compatible with the surface.
- ▶ Clean the light with a cloth and a mild detergent.

9. Repair

NOTICE

Material damage caused by improper repair.

Damage or destruction of the light.

- ▶ Have the repair performed by the manufacturer, by a service technician authorised by the manufacturer or by a person with comparable qualification.
- ▶ Only spare parts released by the manufacturer may be used as spare parts.

10. Disposal



The luminaire is subject to the European WEEE Directive.

- ▶ Dispose of the light separately from domestic waste using the agencies responsible for disposal and designated by the authorities.
- Proper disposal avoids adverse effects on man and the environment.

11. Technical data

NOTE: The data given on the rating plate of the luminaire attached to the connecting cable apply.

11.1 Dimensions

Designation	Value
Light head	360 x 80 x 22 mm
Column	402 + 421 mm

Tab. 3: Dimensions.

11.2 Electrical values

Designation	Value
Voltage range	
- Light	24 V DC
- Light + operating unit	100-240 V AC
Frequency range	
Light + operating unit	50/60 Hz
Power consumption	
- Light	approx. 13 W
- Light + operating unit	approx. 16 W
Operating unit	Power supply unit

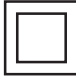



Tab. 4: Electrical values.

11.3 Classifications

Designation	Value
Protection class	
- Light	III
- Light + operating unit	II
Protection type	IP 20
Operating mode	Continuous operation

Tab. 5: Classifications.

11.4 Symbols

Symbol	Designation
	Protection class II Operation with protective insulation
	Protection class III Operation with safety extra low voltage (SELV)
	CE conformity mark
	Disposal in accordance with the European WEEE Directive

Tab. 6: Symbols.