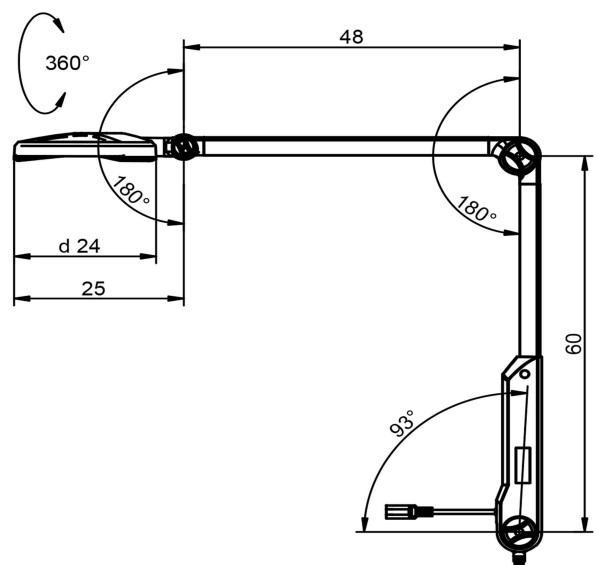
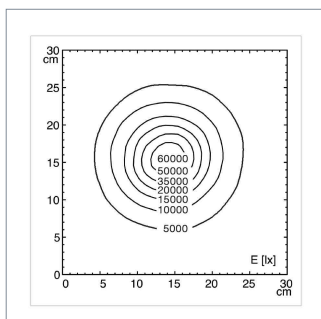
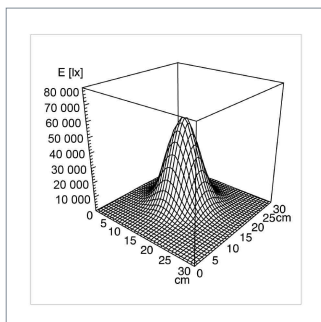




<b>fitted with</b>	1 x LED module
<b>luminous power</b>	60 000 Lux / 0.5 m
<b>Illuminancefield 0.5 m</b>	Ø 21 cm (8.3")
<b>Color Rendering Index (CRI)</b>	> 95
<b>colour temperatur</b>	3500 K & 4500 K
<b>work equipment</b>	electronic converter
<b>connected load</b>	100-240 V; 50/60 Hz
<b>mains lead</b>	1.8 m (5.9 ft) Hospital Grade Plug
<b>luminaire body</b>	polycarbonate & acrylonitrile butadiene styrene copolymer (PC & ABS)
<b>weight (net)</b>	2.0 kg (4.4 lbs)
<b>power consumption</b>	21 W
<b>usage</b>	keypad at luminaire head
<b>balance of articulation</b>	spring
<b>joints</b>	
<b>class of protection</b>	II
<b>accessory</b>	included table clamp with removal protection
<b>norms</b>	EN 60601-1, EN 60601-2-41
<b>special features</b>	2 color shades, 4 dimming levels, antimicrobial, Rotary feedthrough (360° Turnover axis)
<b>safety</b>	ETL/cETL
<b>system of protection</b>	IP 20
<b>order number</b>	D15461100 - pure white



## light distribution

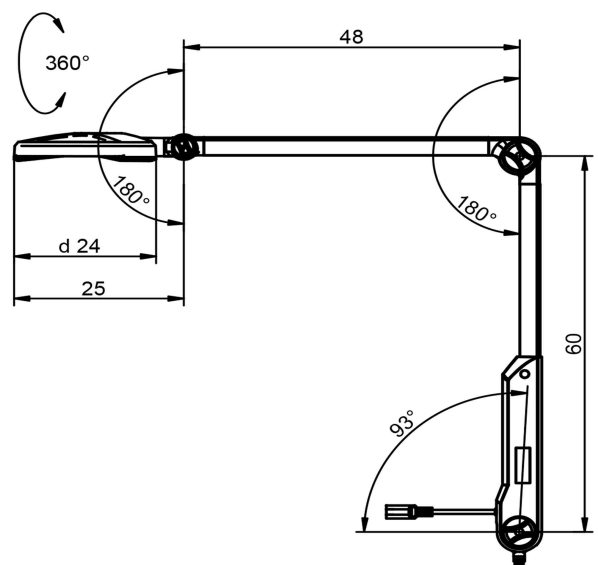
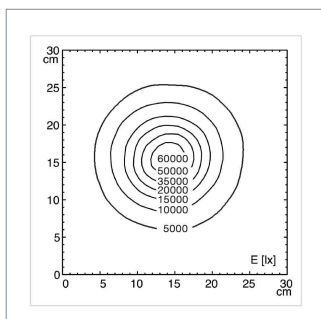
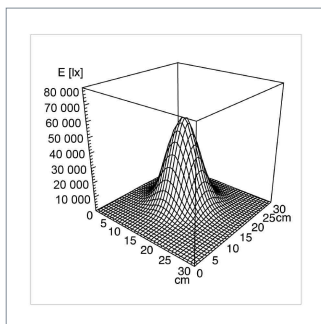




<b>fitted with</b>	1 x LED module
<b>luminous power</b>	60 000 Lux / 0.5 m
<b>Illuminancefield 0.5 m</b>	Ø 21 cm (8.3")
<b>Color Rendering Index (CRI)</b>	> 95
<b>colour temperatur</b>	3500 K & 4500 K
<b>work equipment</b>	electronic converter
<b>connected load</b>	100-240 V; 50/60 Hz
<b>mains lead</b>	1.8 m (5.9 ft) Hospital Grade Plug
<b>luminaire body</b>	polycarbonate & acrylonitrile butadiene styrene copolymer (PC & ABS)
<b>weight (net)</b>	2.0 kg (4.4 lbs)
<b>power consumption</b>	21 W
<b>usage</b>	keypad at luminaire head
<b>balance of articulation</b>	spring
<b>joints</b>	
<b>class of protection</b>	II
<b>accessory</b>	included floor stand with removal protection
<b>norms</b>	EN 60601-1, EN 60601-2-41
<b>special features</b>	2 color shades, 4 dimming levels, antimicrobial, Rotary feedthrough (360° Turnover axis)
<b>safety</b>	ETL/cETL
<b>system of protection</b>	IP 20
<b>order number</b>	D15461110 - pure white



## light distribution

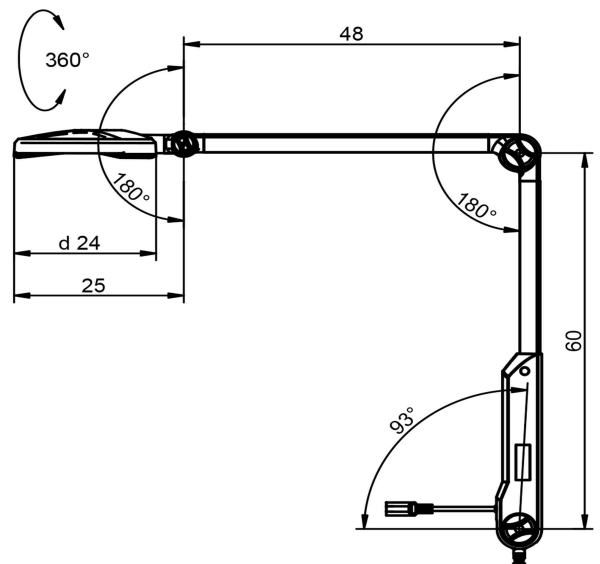
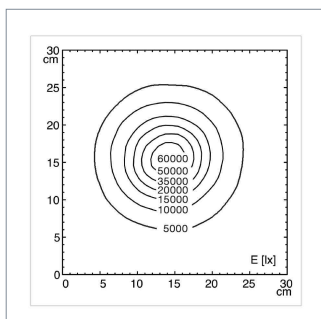
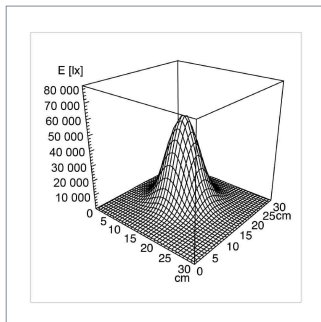




<b>fitted with</b>	1 x LED module
<b>luminous power</b>	60 000 Lux / 0.5 m
<b>Illuminancefield 0.5 m</b>	Ø 21 cm (8.3")
<b>Color Rendering Index (CRI)</b>	> 95
<b>colour temperatur</b>	3500 K & 4500 K
<b>work equipment</b>	electronic converter
<b>connected load</b>	100-240 V; 50/60 Hz
<b>mains lead</b>	1.8 m (5.9 ft) Hospital Grade Plug
<b>luminaire body</b>	polycarbonate & acrylonitrile butadiene styrene copolymer (PC & ABS)
<b>weight (net)</b>	2.0 kg (4.4 lbs)
<b>power consumption</b>	21 W
<b>usage</b>	keypad at luminaire head
<b>balance of articulation</b>	spring
<b>joints</b>	
<b>class of protection</b>	II
<b>accessory</b>	included wall mount bracket with removal protection
<b>norms</b>	EN 60601-1, EN 60601-2-41
<b>special features</b>	2 color shades, 4 dimming levels, antimicrobial, Rotary feedthrough (360° Turnover axis)
<b>safety</b>	ETL/cETL
<b>system of protection</b>	IP 20
<b>order number</b>	D15461120 - pure white



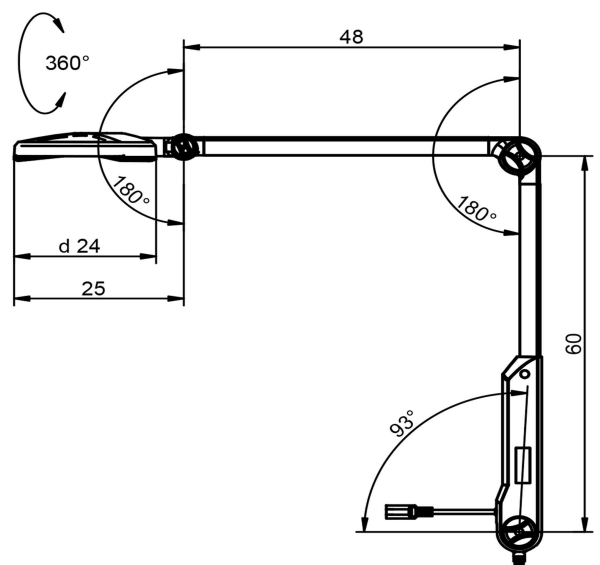
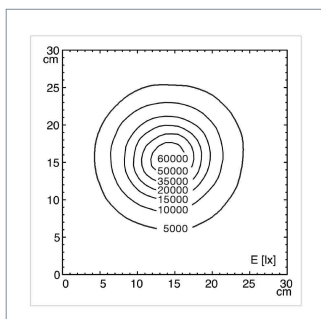
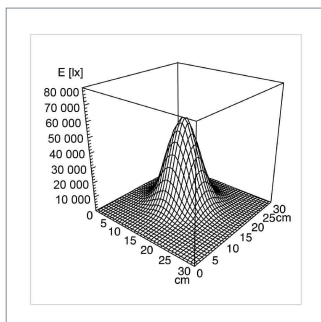
## light distribution





<b>fitted with</b>	1 x LED module
<b>luminous power</b>	60 000 Lux / 0.5 m
<b>Illuminancefield 0.5 m</b>	Ø 21 cm (8.3")
<b>Color Rendering Index (CRI)</b>	> 95
<b>colour temperatur</b>	3500 K & 4500 K
<b>work equipment</b>	electronic converter
<b>connected load</b>	100-240 V; 50/60 Hz
<b>mains lead</b>	1.8 m (5.9 ft) Hospital Grade Plug
<b>luminaire body</b>	polycarbonate & acrylonitrile butadiene styrene copolymer (PC & ABS)
<b>weight (net)</b>	2.0 kg (4.4 lbs)
<b>power consumption</b>	21 W
<b>usage</b>	keypad at luminaire head
<b>balance of articulation</b>	spring
<b>joints</b>	
<b>class of protection</b>	II
<b>accessory</b>	included rail mount bracket with removal protection
<b>norms</b>	EN 60601-1, EN 60601-2-41
<b>special features</b>	2 color shades, 4 dimming levels, antimicrobial, Rotary feedthrough (360° Turnover axis)
<b>safety</b>	ETL/cETL
<b>system of protection</b>	IP 20
<b>order number</b>	D15461150 - pure white

## light distribution





fitted with	1 x LED module
luminous power	60 000 Lux / 0,5 m
Illuminancefield m	Ø 21 cm (8.3")
Color Rendering Index (CRI)	> 95
colour temperatur	3500 K & 4500 K
work equipment	electronic converter
connected load	100-240 V; 50/60 Hz
mains lead	direct power supply
luminaire body	polycarbonate & acrylonitrile butadiene styrene copolymer (PC & ABS)
weight (net)	9.0 kg (19.8 lbs)
power consumption	21 W
usage	keypad at luminaire head
class of protection	II
accessory	adapter for suspended ceiling
norms	EN 60601-1, EN 60601-2-41
special features	2 color shades, 4 dimming levels, antimicrobial, Rotary feedthrough (360° Turnover axis)
fastening	ceiling mount, ceiling tube can be cut to length (40-116cm)
system of protection	IP 20
<b>safety</b>	ETL/cETL
order number	D15594000 - pure white

light distribution

