
VISIANO 20-2
LED EXAMINATION LUMINAIRE



THE NEW Dmed® VISIANO SHINES THROUGH WITH INNOVATION AND DESIGN

Wherever the highest standards of vision apply, uncompromising lighting is essential. In a family practice or a specialist's office, neonatal unit or intensive care, VISIANO is a very helpful tool. With its unique design, state-of-the-art lighting technology and ergonomic controls, VISIANO provides optimal lighting conditions for exams and procedures.

- Highest lighting quality:**
 The unique light head design, diamond optics and premium LEDs assure an evenly lit light field and high illuminance level (60,000 lx/0.5 m) as well as excellent color rendering (CRI>95)
- Safety approval:**
 Meets IEC 60601 3rd edition technical standards for the safety and effectiveness of medical electrical equipment. ETL/cETL approved
- Maximum reach and ergonomics:**
 360° rotational axis at the luminaire head, long 50-inch arm reach
- Dimming and color control:**
 Color temperatures can be switched from 3500K and 4500K and further personalized with four dimming levels
- Easy cleaning:**
 Completely enclosed system for safe and easy cleaning with disinfectant spray (IP43)
- High quality components:**
 Aluminum arm for strength and rigidity, friction joints for ease of motion
- Integrated low voltage transformer:**
 For maximum electrical safety and energy efficiency
- Long service life and maintenance-free:**
 Low power consumption with 16 premium LEDs and integrated converter, maintenance-free housing





Unique optics:

365 fine slats provide an optimal color mixing of light



Spring-balanced friction joint:

Can be easily and reliably locked into position



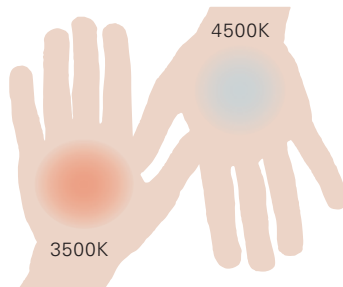
Intuitive control panel:

Ergonomic and intuitive to operate with one hand



Concave light head:

Optimal light focus and uniform light field for surgical quality performance



Color change:

For optimal contrast sensitivity and accurate diagnoses



360° head rotation:

Maximum flexibility within reach

DESIGNED FOR SIMPLICITY

EASY TO USE, EASY TO CLEAN

The available mounting options are as diverse as the applications for the new VISIANO, including ceiling installation or mounting on a wall, table, rail or floor stand. The ergonomic design makes VISIANO easy to maneuver and the enclosed design and antimicrobial sanitized® enhanced materials help to keep the fixture clean and maintenance-free.

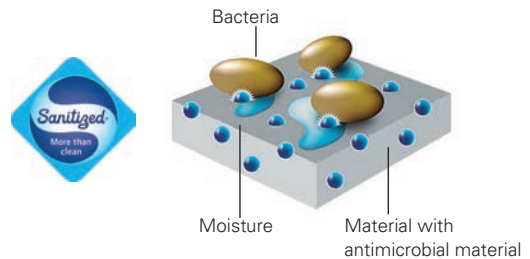


KEEPING HYGIENE A PRIORITY

Protection against the spread of bacteria

In a medical setting in particular, inhibiting the spread of harmful bacteria and germs is a critical task. VISIANO is manufactured with a biocidal incorporated into the luminaire material for the upper luminaire housing, the control panel and the hand wheels of the joints. Please note: This sanitizing component does not replace the need for regular cleaning.

The biocidally active component is integrated into the lamp head during the manufacturing process, inhibiting the growth and proliferation of microbes and bacteria. This prevents the cell from breathing and spreading to other areas. In laboratory testing, 99% of bacteria and germs were destroyed. It has also been established that this material is not hazardous to the health or safety of patient and staff.



MOUNTING OPTIONS

THE PERFECT OPTION FOR EVERY SITUATION

- Illumination intensity 60,000 lx/0.5 m
- Lighting field: 8.3 inches
- Color temperatures: 3500K and 4500K
- 4 dimming levels
- Diamond optic design reduces shadows
- Ergonomic controls allow for one-handed operation
- Spring-balanced arm joints lock in position
- Pure white / gray

Ceiling mount version



Ceiling pole max. 45 inches (can be cut to length)



Pin-mount version

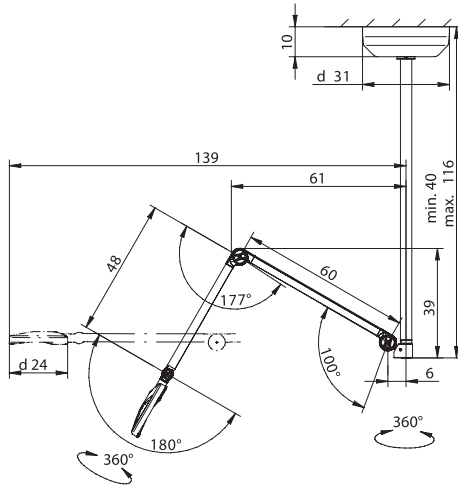


16 mm pin mount for table, wall, rail
or rolling floor stand



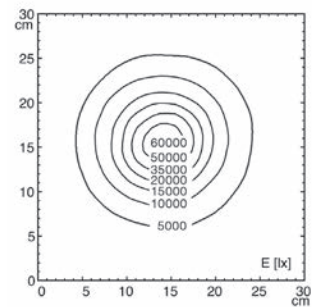
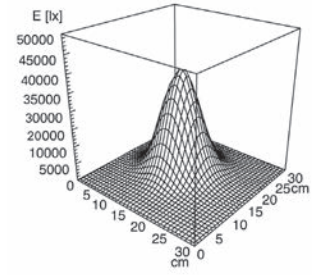
VISIANO 20-2

Technical drawing 20-2 C T1



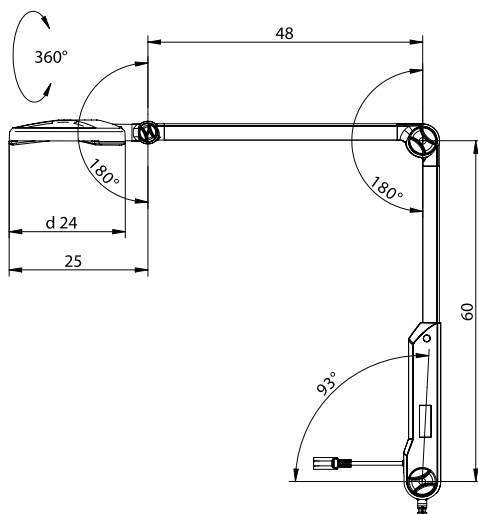
measurements in centimeters

Light distribution



Photometric data -10% / +20% tolerance

Technical drawing 20-2 P TX



measurements in centimeters

VISIANO 20-2

ORDERING INFORMATION

MODEL	MOUNTING INCLUDED	PART #
VISIANO 20-2 CT1	ceiling	D15 594 000
VISIANO 20-2 PTX	table clamp	D15 461 100
VISIANO 20-2 PTX	floor stand	D15 461 110
VISIANO 20-2 PTX	wall mount	D15 461 120
VISIANO 20-2 PTX	rail mount	D15 461 150

ACCESSORIES

ITEM	DESCRIPTION	PART #
Extension Arm, 15" reach	white	D13 363 000
Table Clamp	black	D14 228 000
Rolling Floor Stand	gray/silver	D15 595 000
Wall Mount	white	D13 231 000
Rail Mount	silver	D13 269 000

