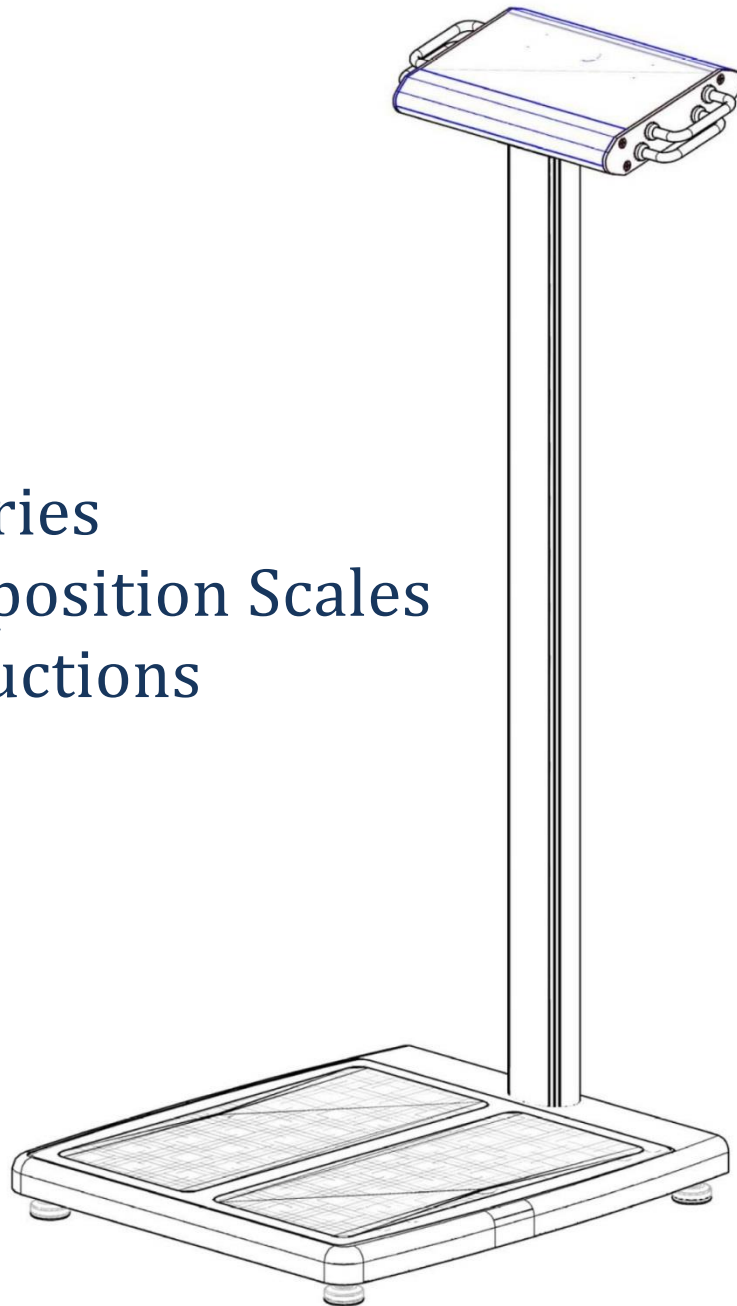


Health o meter[®]
P r o f e s s i o n a l

Powered by
VALHALLA
S C I E N T I F I C

BCS-G6 Series Body Composition Scales User Instructions



PELSTAR, LLC 9500 West 55th St. McCook, IL 60525-7110 USA

www.homscales.com

© Pelstar, LLC 2021

Rev 4.A_web

Table of Contents

Section I - Installation	5
Caution and Warnings.....	5
Scale Specifications.....	6
Receiving and Inspection	6
Scale Parts	7
Detail.....	8
Assembly	9
Connecting Scale to Printer (USB Setup)	12
Powering up	13
Section II - Operations	15
How to Take a Measurement	15
How to Recall the Last Measurement.....	16
Section III – Understanding Results and Norms	17
Section IV - Printouts	20
Plain Printouts.....	20
Programming Number of Copies	20
Graphic Printouts	20
Selecting Default Graphic Report Type.....	20
Section V - Special Modes.....	22
Weight Only Mode.....	22
Athletic Mode	22
Bodybuilder Mode	22
Section VI – Customizing.....	23
Lock Option	23
Print Ohms Option	23
Physician ID.....	24
Patient ID Option	24
Section VII – Maintenance	25

Display Information.....	25
Calibration.....	26
Zero Calibration	26
Cleaning.....	26
Troubleshooting.....	27
Section VIII – Compatible Printers	29

Note: This scale has been factory calibrated, and does not require calibration prior to use.

Section I - Installation

Caution and Warnings

- Individuals who have internally implanted medical devices, such as Pacemakers, should not use this equipment due to the risk of malfunction to the device that may be caused by the weak electrical current.
- To prevent injury and damage to your scale, please follow these instructions very carefully.
- Assemble and operate the scale per the enclosed user instructions.
- For accurate weighing, this scale must be placed on a flat, stable surface.
- For accurate weighing, verify before each use the proper operation according to the procedure described in this manual.
- Operating this scale at voltages and frequencies other than specified can damage the equipment and will void the warranty.
- Do not transport the scale with any weight on the platform.
- Do not exceed recommended weight limit of 1000 lbs for this scale.
- Do not use in the presence of flammable or explosive materials.
- To prevent patient injury, the patient must be attended to throughout the entire weighing event.
- Operate this scale exclusively with the power adapter provided by Health o meter® Professional. Use of an unspecified adapter will void the warranty, and can pose a serious safety hazard.
- Prior to using this scale, inspect the power adapter cord for cracking or fraying, or for broken / bent plug prongs.
- Prior to using this scale, ensure that the power adapter is plugged into an outlet with the rated voltage appropriate for operation.
- Ensure that the power adapter outlet is wired to a circuit breaker or other protected power source.
- Ensure that the power adapter and scale do not come in contact with liquids, excessive temperature, or excessive humidity.
- Unplug the power adapter, and carefully store both the power adapter and adapter cord before moving the scale.

Scale Specifications

Capacity and Resolution	1000 lb x 0.1 lb	
Power Requirements	110Vac/220Vac to 6VDC/2.5A	
Environmental	Operating temperatures: 0°C to 50°C Storage temperatures: -15°C to 65°C) Humidity: 70% or less up to 40°C non-condensing	
Physical Dimensions	Platform Length: 20" Width: 18" Height: 2.25"	Scale Length: 23.5" Width: 18" Height: 41.5" Weight: 27 lbs.

Receiving and Inspection

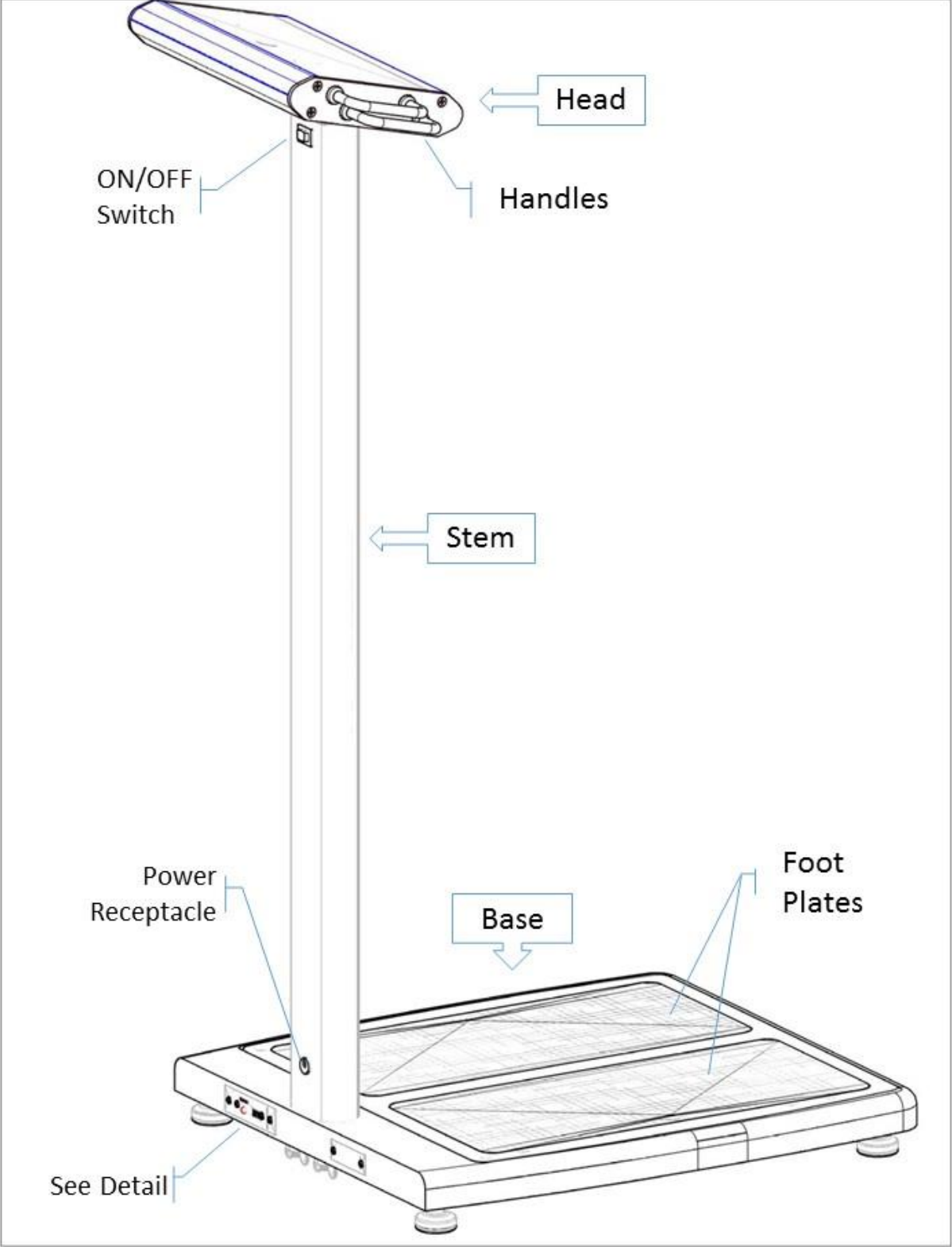
Each BCS-G6 scale is shipped disassembled in one carton. Carefully inspect the carton for shipping damage before unpacking. If damage is found, contact your shipper or a Health o meter® Professional representative immediately at 1-800-815-6615. Claims must be filed with the shipper as soon as possible after receipt of the package. The following information details what you will find inside the main carton as you unpack the parts for assembly.

Included in the box are:

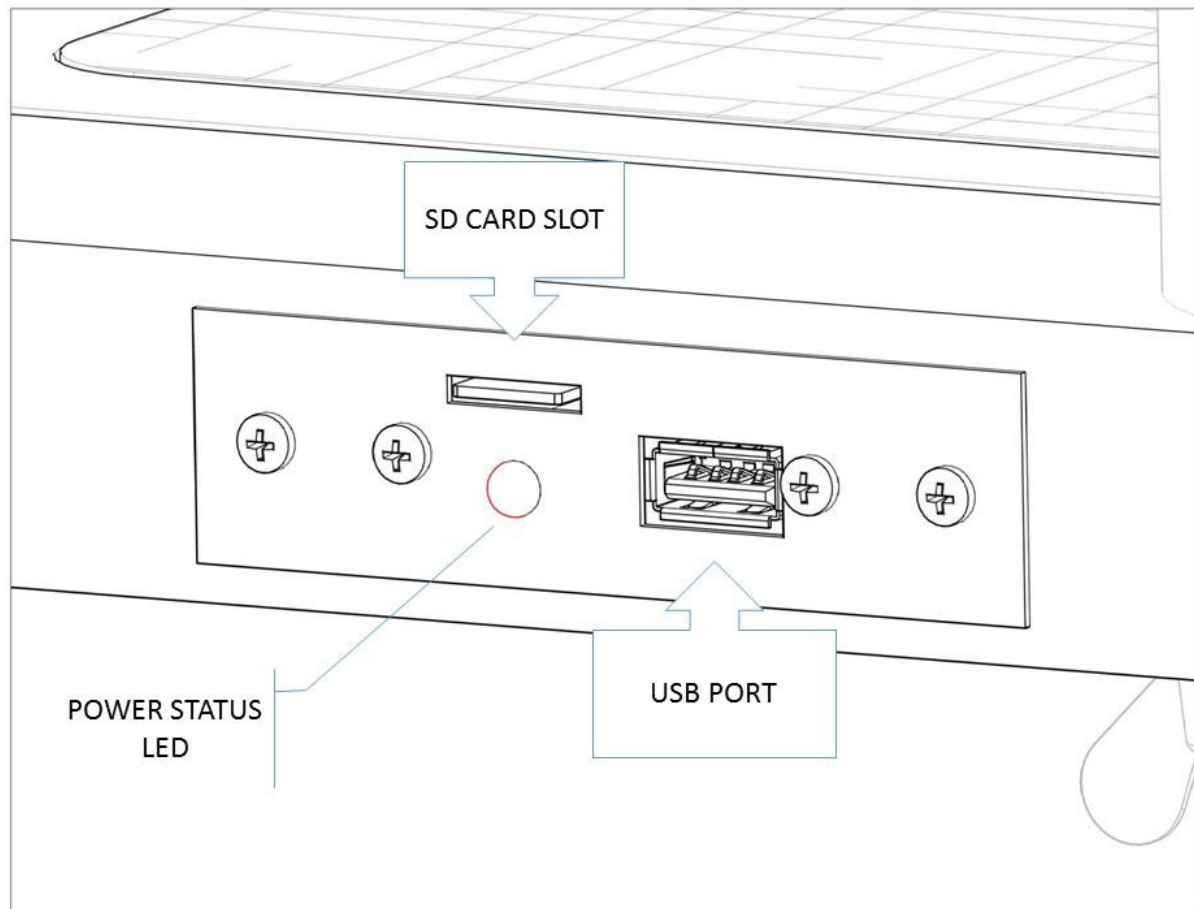
Scale (Base and Stem/Head Assembly),
 Feet (4),
 Lock Washers (4),
 Butterfly Nuts (4),
 Power Supply,
 Surge Protector,
 Manual,
 Sample Printouts.

To prevent scratching any components, carefully remove each assembly from the carton and unwrap the packing materials. Set the carton aside for storage. To avoid damaging the scale parts when unpacking, do not use a box cutter, knife, scissors, or any sharp object to open the protective inner packaging.

Scale Parts



Detail

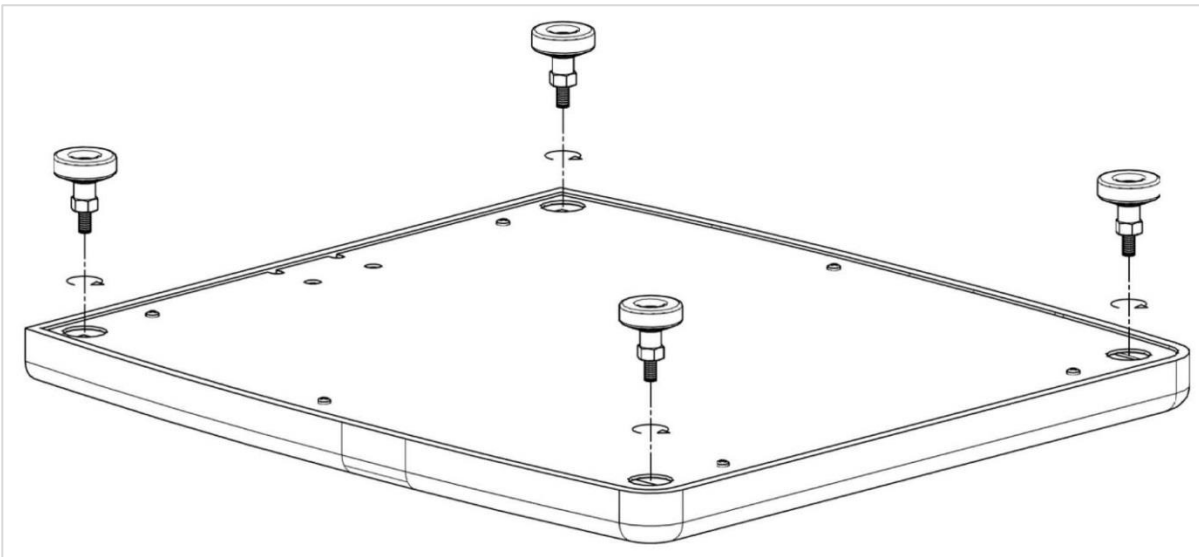


ATTENTION - WARNING

Power Status LED is an indicator that shows the status of scale's internal computer. To avoid damage to the operating system, never disconnect the power supply from the scale while the LED is ON or FLASHING. Switch the scale off with the ON/OFF switch and wait for the LED to turn off before disconnecting the power supply from the scale.

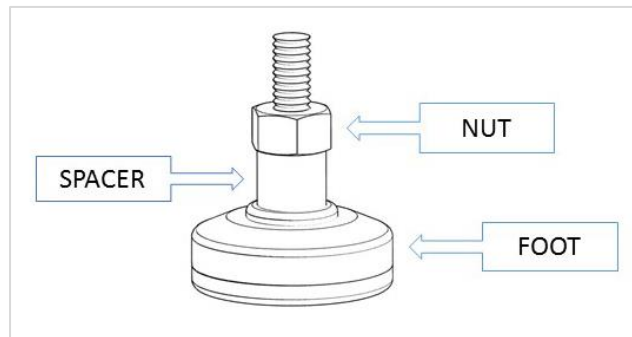
Assembly

Step 1. Remove the base from the box and install the four feet.



NOTE: The feet sub-assembly, come pre-assembled. There are 3 components to each foot assembly:

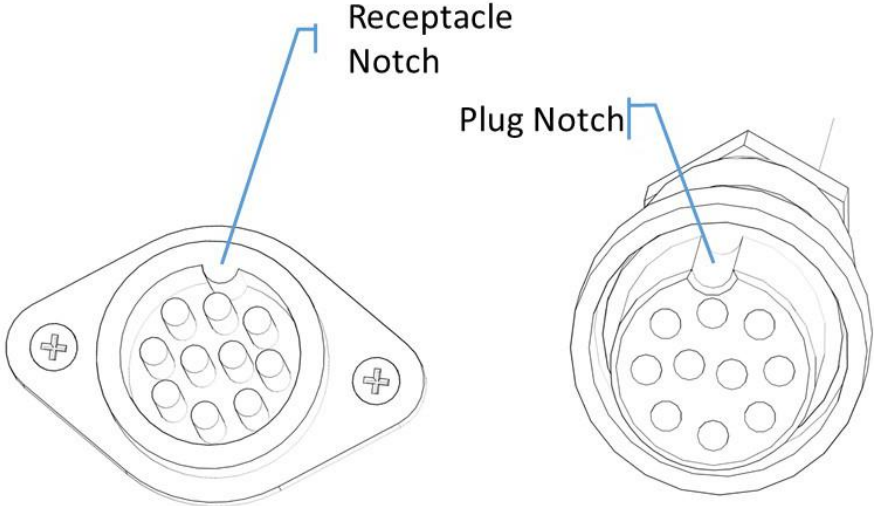
- Foot
- Space
- Nut



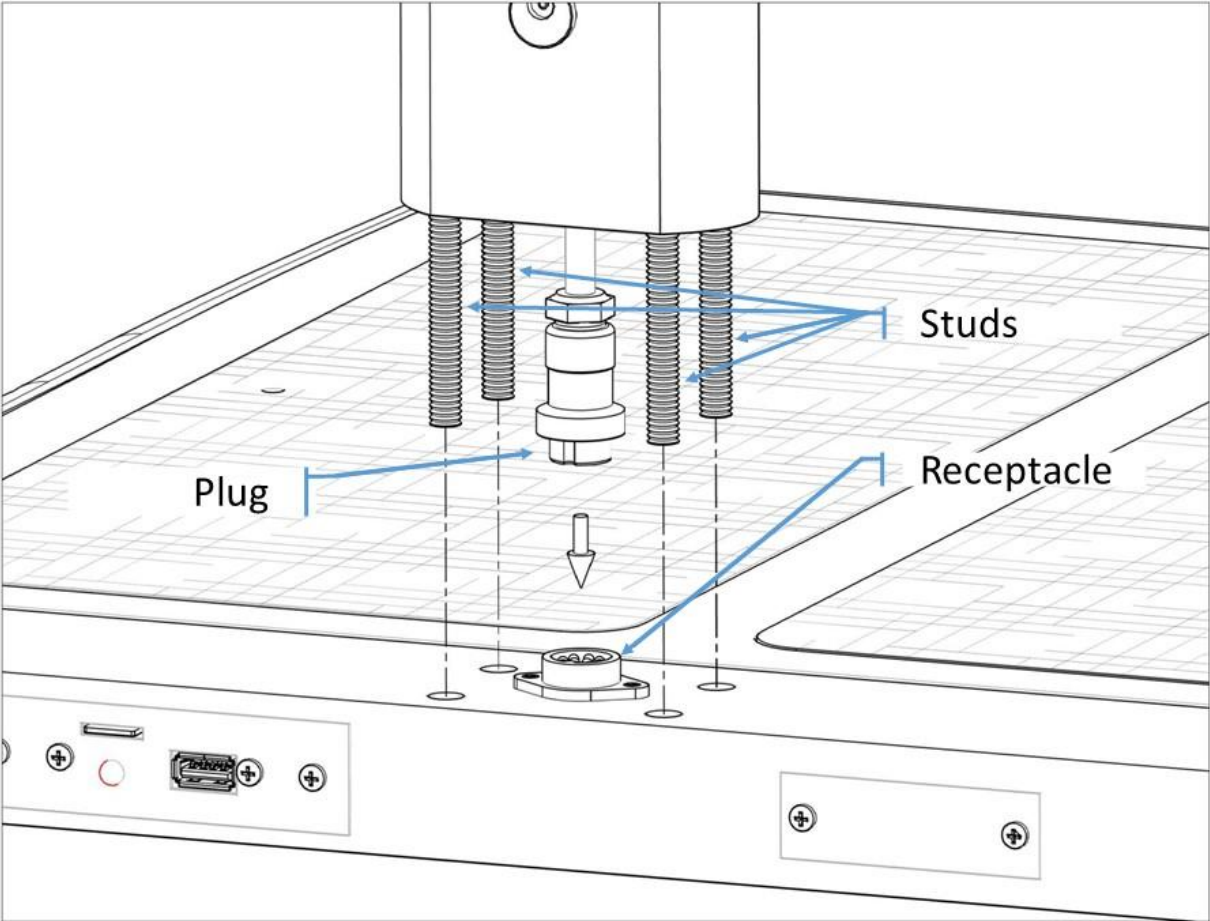
DO NOT DISASSEMBLE FOOT

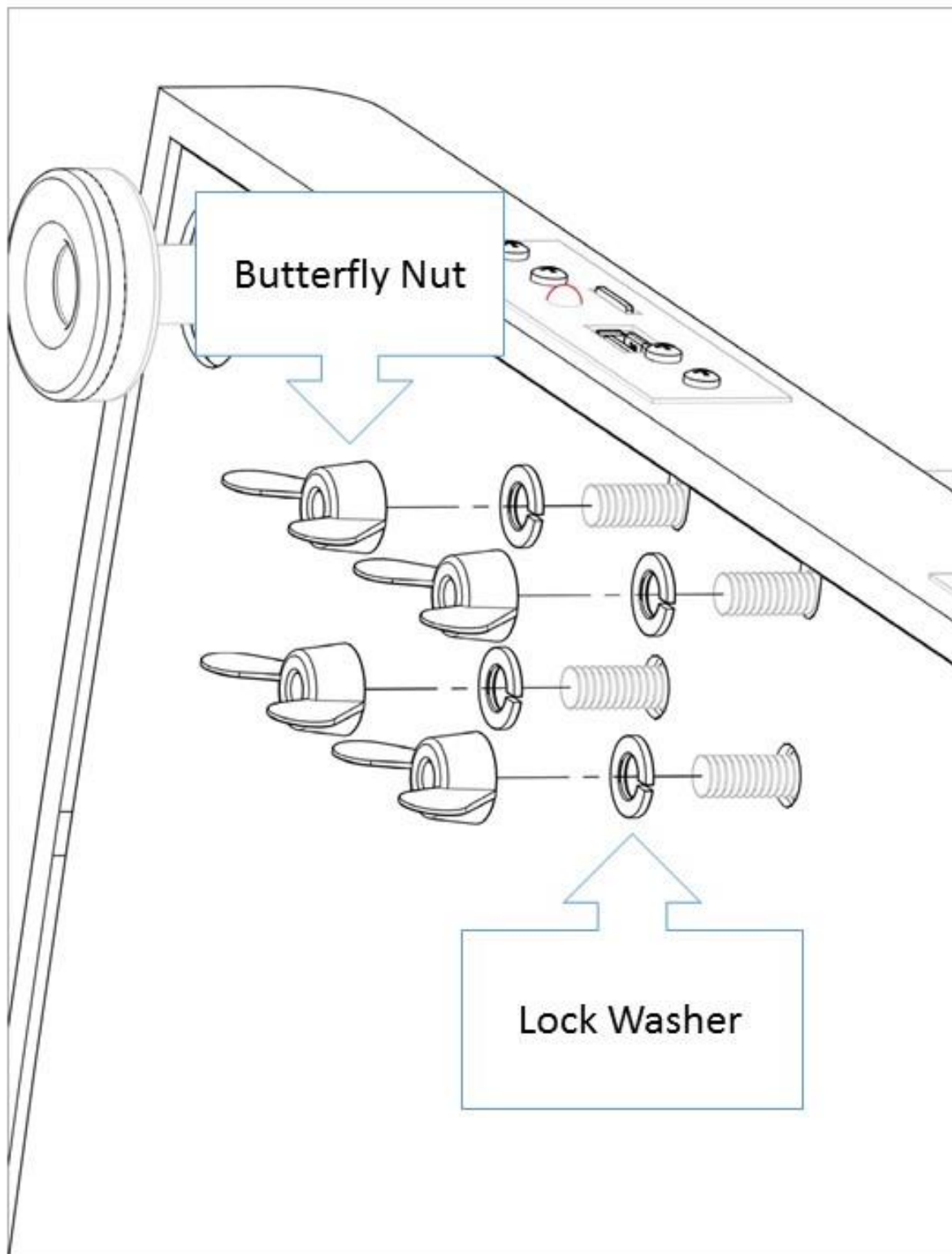
Removing the nut and/or spacer from the foot assembly will cause the scale to malfunction.

Step 2. Connect the plug from the stem to the receptacle on the base.
To properly connect, the notches on the plug and receptacle must align.



Step 3. Align the 4 studs from the stem to the 4 holes on the base and insert.



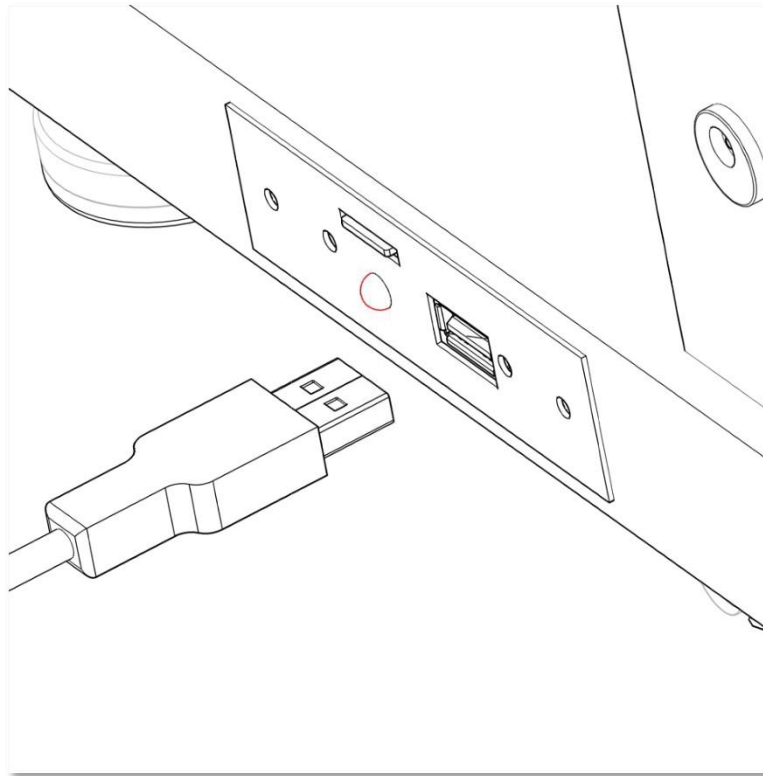


Step 4. While holding the stem and studs in place, carefully tip the scale at an angle to view the bottom of the base. Insert the 4 lock washers and tighten the butterfly nuts to the 4 studs.

Connecting Scale to Printer (USB Setup)

The BCS-G6 is designed to work with several HP printers. Before purchasing a printer, please check the list of compatible printers. (View the list online at www.homscales.com)

1. Before making connections, make sure that the scale is off. This includes the Power Status LED at the back of the base.
2. Turn on the printer and follow any first time power up and alignment procedures.
3. Connect the BCS-G6 to the HP printer by inserting one end of a standard USB cable into the scale's USB port and the other end into the printer's USB port.



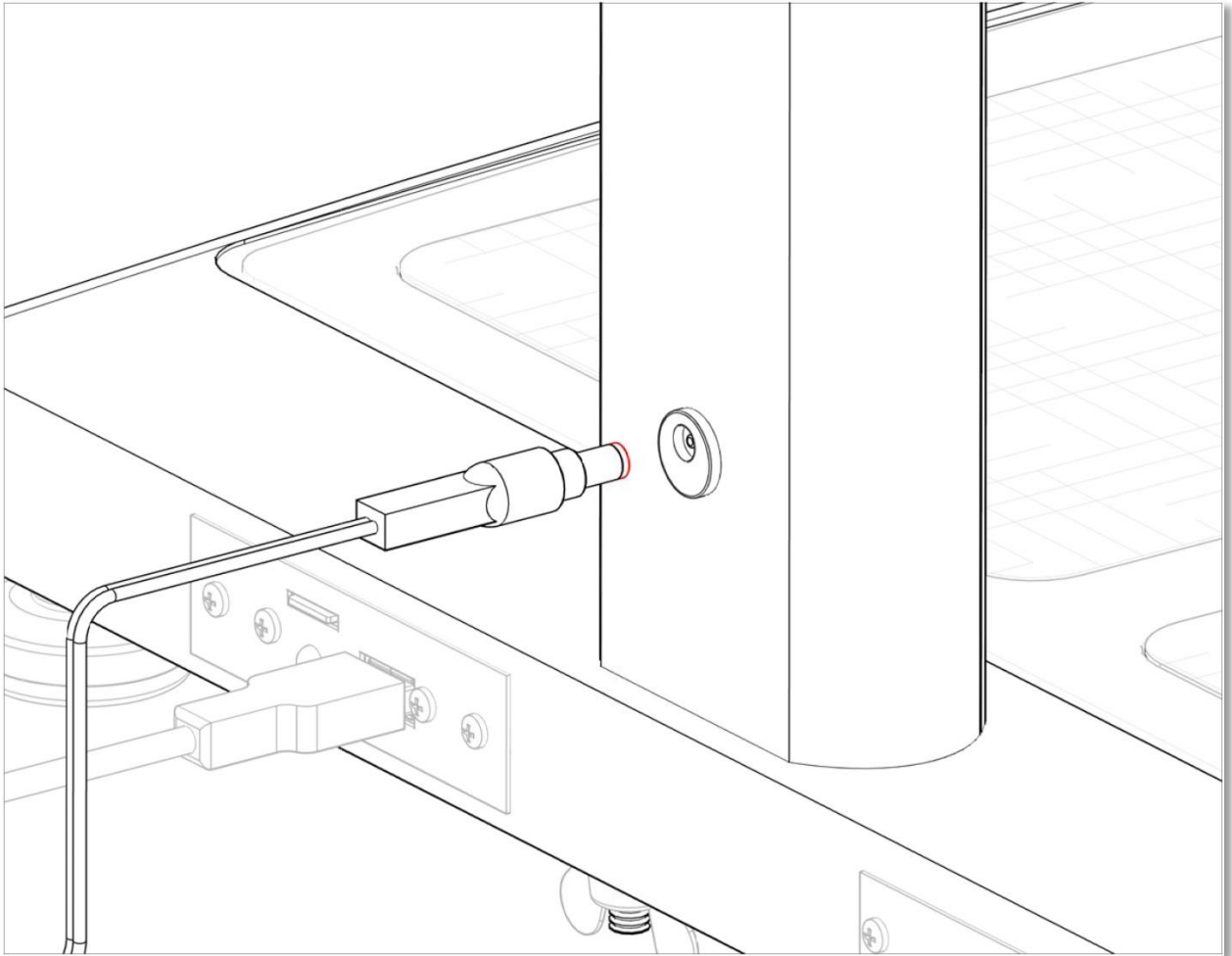
4. Make sure the printer is on and connected to the scale, then turn the scale on.

The BCS-G6 will automatically sense the printer at power-up and select the appropriate drivers.

For optimal performance, make sure to disable the printer's "auto-off" function.

Powering up

Before plugging the power supply into the wall, verify that the ON/OFF switch located on upper part of the stem is in the OFF position. Connect the power supply to the wall socket and then to the scale.



Once the connection is made, flip the switch to the ON position.

Attention:

To avoid failure, never disconnect the power supply from the scale while the Power Status LED is ON or FLASHING.

Switch the scale off from the ON/OFF switch and wait for the LED to turn off before disconnecting the power supply from the scale.

When the BCS-G6 turns on, the screen will briefly display a start-up message which includes system technical information.

The startup will be followed by a series of system configuration checks. Once the display goes blank, the scale is ready to be used.

Section II - Operations

How to Take a Measurement

1. Have the patient remove their shoes and socks and stand on the scale¹.
2. Ensure the patient remains still while the scale measures their weight.
3. When prompted, enter the Age.

On BCS-G62 Duo scales only: For children (4 to 17y11m) the age must be entered in Years and Months. From 4 to 9 you will need to press enter after the year is entered, from 10 to 17 the scale will automatically skip to the month field. For Adults 18 to 99, no months are required.

Press the flashing ENTER button to confirm.

4. The screen will prompt you to enter the Height.

The height may be entered in the following format. A height of 6 feet 2 inches can be entered as:

6+2

The $\frac{1}{2}$ button is used to add a half inch to the height.

For example 5 feet 7.5 inches is entered as:

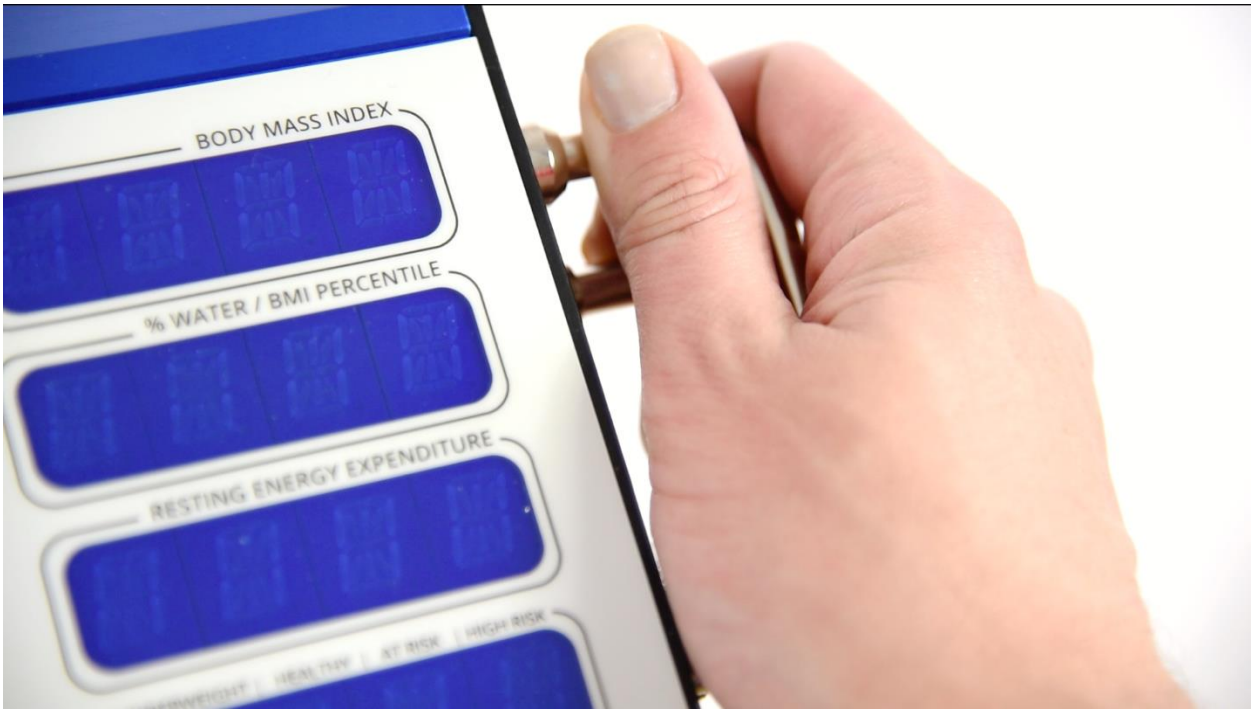
5+7+ $\frac{1}{2}$

If a wrong number is pressed, press CLR (clear) to start over.

Press the flashing ENTER button to confirm the height and move to the next step.

5. When prompted, select Male or Female and press the flashing ENTER button to confirm selection.
6. When prompted, have the patient grip the handles so that the palm of each hand makes contact with both handles on both sides of the display module. The thumb should rest gently on top of upper handle. The scale will now measure their bio-impedance and display their results.

¹ ATTENTION: G61 does NOT require removal of shoes and socks



7. To print the results, select graphic or plain and press ENTER. (See Section IV - *Printouts for details on the print types*).

How to Recall the Last Measurement

The BCS-G6 allows the user to recall the last measurement and reprint it. To recall the last results:

1. Press the RCL button on the display panel. The data will be displayed.
The display is be cleared by pressing the CLR button.
2. To print the results, select graphic or plain and press ENTER.

The last results will be erased if the scale is turned off.

Section III – Understanding Results and Norms

In order to determine a discernable change in body composition a 3 % change in body weight is recommended.²

Body Weight: Indicates the gross total body weight.

% Body Fat: Total Percent of Body Fat. Norms are based on age³

%Body Fat Norms				
Male:	Under Fat	Optimal	Overfat	Obese
Ages 4-5	<12	12-19	19-23	23+
Age 6	<12	12-20	20-24	24+
Age 7	<13	13-20	20-25	25+
Age 8	<13	13-21	21-26	26+
Age 9	<13	13-22	22-27	27+
Ages 10-11	<13	13-23	23-28	28+
Age 12	<12	12-23	23-28	28+
Age 13	<12	12-22	22-27	27+
Age 14	<11	11-21	21-26	26+
Age 15	<10	10-21	21-25	25+
Ages 16-18	<10	10-20	20-24	24+
Ages 18-39	<10	10-21	21-26	26+
Ages 40-59	<11	11-22	22-27	27+
Ages 60+	<13	13-24	24-29	29+
Female:	Under Fat	Optimal	Overfat	Obese
Age 4	<14	14-22	22-26	26+
Age 5	<14	14-22	22-26	26+
Age 6	<14	14-23	23-27	27+
Age 7	<15	15-25	25-29	29+
Age 8	<15	15-26	26-30	30+
Age 9	<16	16-27	27-31	31+
Age 10	<16	16-28	28-32	32+
Ages 11-13	<16	16-29	29-33	33+
Ages 14-16	<16	16-30	30-34	34+
Age 17	<16	16-30	30-35	35+
Age 18	<17	17-31	31-35	35+
Ages 18-39	<20	20-34	34-39	39+
Ages 40-59	<21	21-35	35-40	40+
Ages 60+	<22	22-36	36-41	41+

² Schoeller, Dale. Human Body Composition: Human Kinetics, 2005. Print

³ Based on National Institute of Health/World Health Organization Guidelines.

Body Mass Index: BMI is a value derived from the mass (weight) and height of an individual. The BMI is defined as the body mass divided by the square of the body height.

% Body Water: Proper hydration norms are based on % body fat⁴.
Note: G6-Duo does not display %Body Water in Pediatric Mode.

Proper Hydration Ranges		
Body Fat%	Male %Water	Female %Water
10-15	72-65	60-56
16-23	64-59	55-49
24-28	58-54	48-44
29-34	53-49	43-39
35-40	48-45	38-33

% BMI: Displayed only for children (4-17), the BMI percentile is the ranking of the child's BMI when compared to other children the same age and gender.
Note: %BMI is only available on G6-DUO scales.

REE: Resting Energy Expenditure is the number of calories required over 24 hours to maintain vital organs and body functions. REE is determined by integrating the muscle mass value as a predictive variable for each individual.

Health Status: The health status indicator window is based on recommended BMI ranges⁵.

Health Status Ranges - Adult				
	Underweight	Healthy	At Risk	High Risk
BMI	< 18.5	18.5 – 24.9	25 – 29.9	> 30

On the BCS-G6 Duo models, for children under the age of 18, the Health Status indicator is based on the BMI Percentile.

Health Status Ranges - Pediatrics				
	Underweight	Healthy	At Risk	High Risk
% BMI	< 5	5 – 85	86 – 94	> 95

⁴ Schoeller, Dale. Human Body Composition: Human Kinetics, 2005. Print

⁵ Based on CDC Guidelines

Fat Free Mass: Fat Free Mass refers to the portion of the body composed of muscle, bones, organs and fluids.

Caloric Burn Rates: Caloric Burn Rates are determined by adding the REE calories to various levels of physical activity. For your own calculations, remember 3500 calories make one pound of fat.

Visceral Fat: Visceral fat is body fat that is stored within the abdominal cavity and is therefore stored around a number of important internal organs such as the liver, pancreas and intestines.

Visceral Fat Level Range ⁶		
Normal	High	Very High
1 – 9	10 – 14	15+

⁶ Simplified Estimation Method for Visceral Adipose Tissue. North American Association for the Study of Obesity.

Section IV - Printouts

When the results are displayed, the BCS-G6 allows you to select the print type, Plain or Graphic.

Plain Printouts

The Plain printout is a single page containing all the results from the measurements and calculations.

Programming Number of Copies

The user can pre-define the number of copies to print. The default value is 1.

To change the value:

1. Without stepping on the scale,
Press # **3** to access Settings Menu
2. When prompted [MENU ?], press **Plain**.
3. Enter the number of copies you wish to print (1 thru 9).
4. The scale will display DONE and return to standby.

Graphic Printouts

The Graphic printout is a multi-page report designed for specific preprinted paper. The BCS-G6 is programmed to handle several different graphic layouts.

Note that the BCS-G6 Duo models automatically default to the 7 page Pediatric printout for individuals under the age of 18.

To properly load the Illustrated Printouts in the printers, place the pre-collated pages face down, header in.

Selecting Default Graphic Report Type

Your BCS-G6 scale enables you to select the 5 page Adult/Bariatric or the 3 page Fitness graphic printout.

1. Without stepping on the scale, Press # **3** to access Settings Menu
2. When prompted [MENU ?], press **Graphic**.
3. Enter "0" for the five page Adult Bariatric printout type.
4. Enter "4" for the three page Fitness printout type.
5. The scale will display DONE and return to standby.



**ADULT/BARIATRIC
PRINTOUTS**



**FITNESS
PRINTOUTS**



**PEDIATRIC
PRINTOUTS**

Section V - Special Modes

Weight Only Mode

The BCS-G6 allows you to take weight only measurements.

To enable this measurement mode: Press **Weight Only** before stepping onto the scale.

The scale will display WGT ON. Step on the scale and press **Enter**. The display will count down from 5 to 1 and display your weight.

To clear the weight: Press **CLR**

Athletic Mode

To qualify as “athletic”, the individual must meet the following requirements:

Work out 40 minutes in duration (20 min aerobic/20 min anaerobic), 3 days a week, for at least the last 6 months.

To enable the Athletic Mode predictive equation:

1. Before stepping on the scale, Press **7**. The screen will display: [ATH MODE Y/N?]
2. Press the **YES** key to enable the Athletic Mode equations, **NO** to cancel.

These steps will enable the Athletic Mode for a single use. After the test is performed, the BCS-G6 will automatically return to Standard Mode measurements.

Bodybuilder Mode

To qualify as a “bodybuilder” the individual must be at least 20% above their ideal weight (as defined in the Metropolitan Life Height/Weight Tables), and that weight must be primarily muscle mass.

To enable the Bodybuilder Mode predictive equation:

1. Before stepping on the scale, Press **8**. The screen will display: [BB MODE Y/N?]
2. Press the **YES** key to enable the Body Builder Mode equations, **NO** to cancel.

These steps will enable the Bodybuilder Mode for a single use. After the test is performed, the BCS-G6 will automatically return to Standard Mode measurements.

Section VI – Customizing

Lock Option

The Lock option allows you to “lock” the BCS-G6 and prevent it from being used by unauthorized people. When the BCS-G6 is locked, you will be required to enter an authorization ID before each test.

To enable the Lock feature:

1. Press **3** to access Settings Menu
2. When prompted [MENU ?], press # **9**. The screen will display: [PIN? Y/N?]
3. Press the **YES** key to enable the Lock Pin Option, **NO** to cancel.

The default authorization ID number is 1234. The ID can be changed at any time.

To change the Authorization ID Number:

1. Press **9** to access Maintenance Menu
2. When prompted [MENU ?], press # **1**. - *Enter (PW): 1973*
The screen will display: [NEW PIN ----]
3. Enter the new 4 digit ID.

Note: The master PIN/Password is 1973 and this number can always be used to access the menu should you forget the new PIN/Password.

Print Ohms Option

The Print Ohms option gives you the choice of whether or not to print the measured bio-impedance value on the printouts. When you first receive the scale, the Print Ohms function is set to OFF.

To enable the printing of the Ohms measurement:

1. Press **3** to access Settings Menu
2. When prompted [MENU ?], press # **5**. The screen will display: [OHMS MODE Y/N?]
3. Press the **YES** key to enable the Print Ohms Option, **NO** to cancel.

Physician ID

The BCS-G6 allows the user to set a physician's ID. The ID can be a number up to 8 digits and if set will be printed on the printouts under "Prepared By:"

To set the Physician ID:

1. Press **5** before stepping on the scale. The screen will display: [ID 0000 0000]
2. Enter the preferred ID, up to 8 digits and press **ENTER**.

The Physician ID can be changed or reset at any time.

Patient ID Option

The Patient ID option gives you the choice of using a Patient ID with every test. When you first receive the scale, the Patient ID function is set to OFF.

To enable the Patient ID Option:

1. Press **3** to access Settings Menu
2. When prompted [MENU ?
3.], press # **4**.
The screen will display: [ID MODE Y/N?]
4. Press the **YES** key to enable the Patient ID Option, **NO** to cancel.

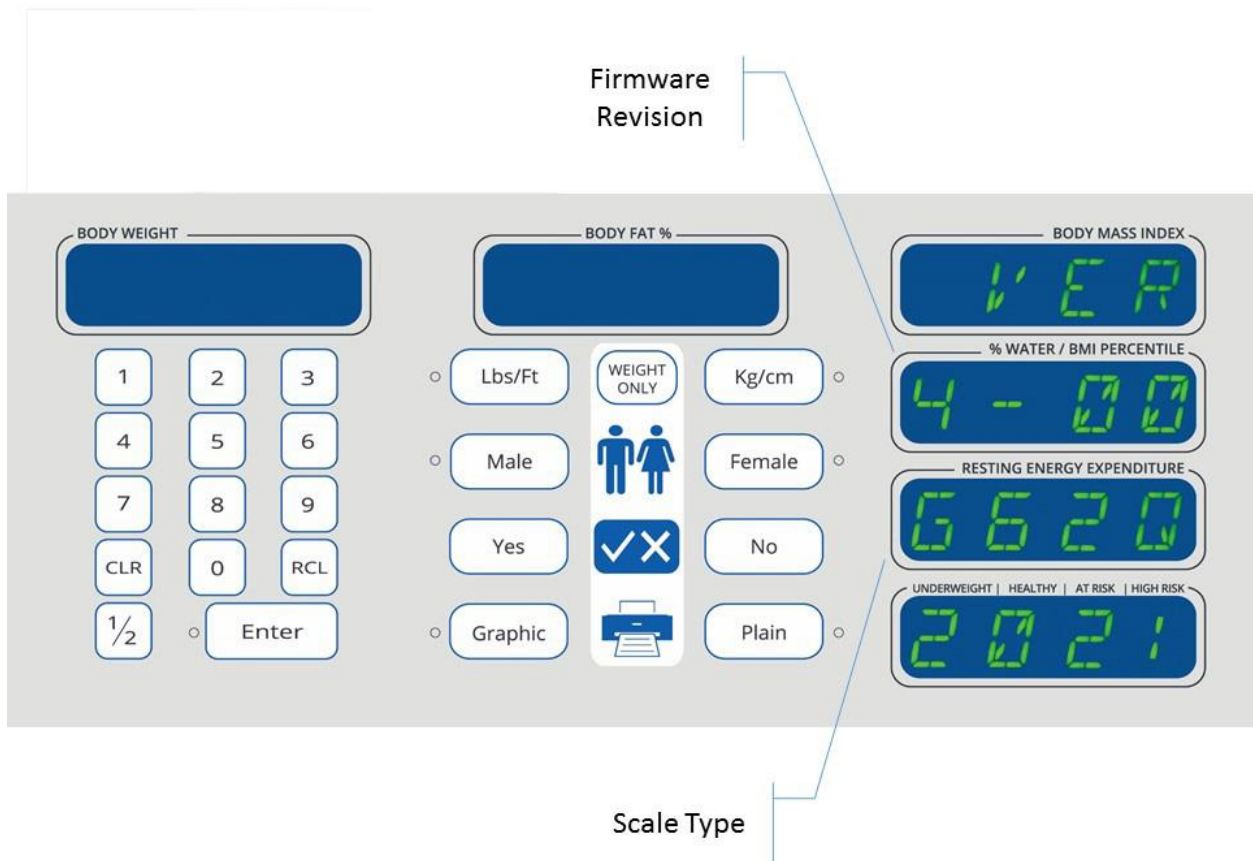
Section VII – Maintenance

The following pages provide instructions for maintenance, cleaning, calibration, and troubleshooting for the BCS-G6 scale.

Caution: Before first use, or after long periods of non-use, check the scale for proper operation and function. If the scale does not operate correctly, refer to qualified service personnel.

1. Check overall appearance of the total scale for any obvious damage, wear, and tear.
2. Inspect the AC adapter for cord cracking or fraying, or for broken/bent prongs.

Display Information



To access technical information about the scale, press [4] on the keypad. The screen will display Firmware Revision, and Model Number of the scale. Press [CLR] cancel.

Calibration

For Calibration instructions, please contact Health o meter® Professional Scales Customer Service at 1-800-815-6615.

Zero Calibration

Press 0 when scale is idle to reset any zero offset.

Cleaning

Proper care and cleaning is essential to ensure a long life of accurate and effective operation.

Caution: Disconnect the scale from the power supply prior to cleaning the unit.



ATTENTION - WARNING

Power Status LED is an indicator that shows the status of scale's internal computer. To avoid damage to the operating system, never disconnect the power supply from the scale while the LED is ON or FLASHING. Switch the scale off with the ON/OFF switch and wait for the LED to turn off before disconnecting the power supply from the scale.

1. Clean all external surfaces with a clean damp cloth or tissue. Mild antimicrobial or antibacterial soap and water solution may be used. Dry with a clean soft cloth.
2. Do not immerse the scale into cleaning or other liquid solutions.
3. Do not use Isopropyl Alcohol or other solutions to clean the display surface.
4. Do not use abrasive cleaners.

Troubleshooting

Issue	Cause	Solution
Unable to print ⁷	Incompatible printer	Verify that the printer being used is on the list of compatible printers.
	Low Ink, out of ink	Check if ink cartridges are low and need to be replaced.
	Use of non-approved or refurbished cartridges	Make sure that the ink cartridges are authentic HP. Some printers do not work well with refurbished or third party cartridges.
	No paper in tray	Verify that there is paper in the correct paper tray.
	Loose USB Cable	Verify that the USB cable is firmly connected to both the scale and printer.
	Defective USB Cable	Replace the USB Cable.
	Scale does not communicate with printer.	Turn off scale. Wait for the Power Status LED to turn off. Make sure that the printer is on and connected to the scale. Turn Scale on. Wait for scale to finish count down.
Graphic forms not printing properly	Wrong collation selected	Set the scale collation to match printer. To properly load the Illustrated Printouts in the printers, place the pre-collated pages face down, header in.
Scale does not turn on.	Wrong power supply used	Verify that the factory provided power supply unit is being used.
	Damaged power supply	Contact technical support at 1-800-815-6615.
	No power to AC outlet	Verify that the outlet used has power.
	Power strip is off	Reset or turn on the power strip.
	Power supply not connected	Verify that the power supply is properly connected to the power receptacle.
	Power Switch in the OFF position	Turn the power switch to the ON position.
Scale not sensing weight	Feet are not installed on the base	Verify that all four feet have been properly installed on to the base. Refer to the assembly procedure in the manual.
	Standoff or nut removed from feet	Verify that during assembly, spacer or nut was not removed from the feet before installing them to the base. See assembly step 1.
	10 Pin plug is disconnected	Remove the stem/head assembly from the base and verify that the cylindrical 10 pin plug is connected to the receptacle. Refer to the assembly procedure in the manual.
Inconsistent weight measurements	Scale is not on a level surface	Turn the scale off. Move the scale to a level surface or adjust the leveling feet.
Scale does not process body composition after patient grips handles.	User did not remove shoes and socks	Remove shoes and socks and try again
	Very dry or callused hands or feet	Use lotion on hands and/or feet.

⁷ Cause and Solutions may depend on the model of printer.

Section VIII – Compatible Printers

Please see enclosed list of compatible printers or check our web site at www.homscales.com to find the most current list of printers that will work with your Body Comp Scale.

For additional information, call 1-800-815-6615

Visit our website at www.homscales.com

Compatible Printer List

The BCS-G6 is designed to work with several HP printers. Before purchasing a printer, please check the list of compatible printers.

Printer Batch: U5 (Updated 11-30-2020)

HP DeskJet 1010 Printer

HP DeskJet 1110 Printer

HP DeskJet 1112 Printer

HP DeskJet 2130 All-in-One Printer

HP DeskJet 2655 All-in-One Printer

HP DeskJet 3755 All-in-One Printer

HP DeskJet 5255 All-in-One Printer

HP DeskJet Plus 4155 All-in-One-Printer

HP ENVY 4500 e-All-in-One Printer

HP ENVY 4520 All-in-One Printer

HP ENVY 5055 All-in-One Printer

HP ENVY 5540 All-in-One Printer

HP ENVY 5660 e-All-in-One Printer

HP ENVY 5661 e-All-in-One Printer

HP ENVY 6055 All-in-One Printer

HP ENVY 6075 All-in-One Printer

HP ENVY 7640 e-All-in-One Printer

HP ENVY Photo 6255 All-in-One Printer

HP ENVY Photo 7155 All-in-One Printer

HP ENVY Photo 7855 All-in-One Printer

HP Envy Pro 6055 All-in-One Printer

HP Envy Pro 6475 All-in-One Printer

HP OfficeJet 3830 All-in-One Printer

HP OfficeJet 4650 All-in-One Printer

HP OfficeJet 5740 e-All-in-One Printer

HP OfficeJet 5745 e-All-in-One Printer

HP OfficeJet 7510 Wide Format All-in-One Printer

HP OfficeJet Pro 6100 ePrinter

HP Officejet Pro 6230 ePrinter

HP OfficeJet Pro 6830 e-All-in-One Printer

HP OfficeJet Pro 6835 e-All-in-One Printer

HP OfficeJet Pro 6968 All-in-One Printer

HP OfficeJet Pro 6978 All-in-One Printer

HP OfficeJet Pro 7720 Wide Format All-in-One Printer

HP OfficeJet Pro 7740 Wide Format All-in-One Printer

HP OfficeJet Pro 8025e All-in-One Printer

HP OfficeJet Pro 8035e All-in-One Printer

HP OfficeJet Pro 8100 ePrinter

HP OfficeJet Pro 8210 Printer

HP OfficeJet Pro 8216 Printer

HP OfficeJet Pro 8710 All-in-One Printer

HP OfficeJet Pro 8720 All-in-One Printer

HP OfficeJet Pro 8730 All-in-One Printer

HP Officejet Pro 9015e All-in-One Printer

HP Officejet Pro 9025e All-in-One Printer

HP Smart Tank Plus 551 All-in-One Printer

HP Smart Tank Plus 651 All-in-One Printer

Health o meter[®]
P r o f e s s i o n a l

Powered by

VALHALLA
S C I E N T I F I C

BCS-G6
Balanza de Composición Corporal
Instrucciones de Uso



PELSTAR, LLC 9500 West 55th St. McCook, IL 60525-7110 USA

www.homscales.com

© Pelstar, LLC 2021

Rev 4.A Spanish

TABLA DE CONTENIDOS

Sección I - Instalación	5
Precauciones y avisos	5
Especificaciones	6
Inspección a la recepción	6
Partes	7
Detalle	8
Ensamblaje	9
Conectando la balanza a la impresora (Instalación de USB) ...	12
Arranque	13
Sección II - Operaciones	15
Como tomar una medida	15
Como recuperar la última medida	16
Sección III - Entendiendo los resultados y normas	17
Sección IV - Impresión	20
Impresión sin gráficos	20
Programado el número de copias	20
Impresión con gráficos	20
Seleccionando el modo de impresión (tipo de reporte) por defecto ..	20
Sección V - Modos especiales	22
Modo solo peso	22
Modo Atlético	22
Modo "Bodybuilder"	22
Sección VI - Personalización	23
Opción de bloqueo	23
Opción de impresión de resistencia eléctrica (Ohms).....	23
Identificación del operador	24

Identificación del paciente	24
Activando/desactivando la opción de “Calorías”.....	24
Sección VII - Mantenimiento	25
Número de serie y otras informaciones técnicas.....	25
Calibración	26
Calibración de “cero”	26
Limpieza	26
Solución de Problemas.....	27
Sección VIII - Impresoras compatibles	29

Nota: Esta balanza ha sido calibrada en fábrica y no requiere calibración previa al uso.

Para disponer de su garantía, por favor registre su producto en: www.homsscales.com

Para disponer de Instrucciones de Uso y actualizaciones, por favor visite: www.homsscales.com

Sección I - Instalación

Precauciones y avisos

- Personas que llevan implantados instrumentos médicos, tal como marcapasos, no deben usar este equipo debido al riesgo de mal funcionamiento del dispositivo que puede ser causado por la debilidad de la corriente eléctrica.
- Para prevenir daños, tanto para usted como para la balanza, por favor siga las instrucciones cuidadosamente.
- Ensamblar y usar la balanza de acuerdo a las instrucciones que se suministran.
- Para una medida exacta del peso, la balanza debe instalarse en una superficie plana y estable.
- Para una medida exacta del peso, comprobar antes de cada medida el apropiado manejo según las instrucciones provistas en el manual.
- Usar esta balanza a voltajes o frecuencias diferentes a las especificadas puede dañar el equipo e invalidar su garantía.
- No transportar la balanza con peso sobre la plataforma
- No exceder el límite de la capacidad de la balanza (1,000 lbs/453.5kg)
- No usar la balanza en presencia de materiales explosivos o inflamables.
- Para prevenir daños al paciente, este debe estar acompañado durante todo el proceso de medida
- Usar la balanza exclusivamente con el adaptador de corriente suministrado por Healthometer Professional. El uso de cualquier otro adaptador anulará la garantía y puede representar un riesgo de seguridad.
- Antes de utilizar la báscula, inspeccione el cable del adaptador de alimentación para detectar grietas o desgastes, o para las clavijas rotas / dobladas.
- Antes de usar la balanza asegúrese de que el adaptador de corriente está conectado a un enchufe con la corriente adecuada para la operación.
- Asegúrese de que el adaptador de corriente está conectado a un circuito equipado con fusibles o suministro de corriente adecuadamente protegido.
- Asegúrese de que el adaptador de corriente y la balanza no están en contacto con líquidos, ni en un ambiente de temperatura excesiva o humedad.
- Desenchufe el adaptador de corriente y empaque cuidadosamente el cable del adaptador y la balanza antes de mover la balanza.

Especificaciones de la balanza

Capacidad y resolución	1,000 lbs/453.5 Kg x 0.1lb/0.1Kg	
Alimentación	110VAC/220VAC a 6VDC/2.5A	
Ambiente	Temperatura de trabajo: 0° a 50°C Temperatura de almacenamiento: -15° a 65° C Humedad: 70% o menos hasta 40°C sin condensación	
Dimensiones	Plataforma Longitud 20" Ancho: 18" Alto: 2.25"	Balanza Longitud: 23.5" Ancho: 18" Alto: 41.5" Peso: 27 lbs

Recepción e inspección

Cada balanza BCS-G6 es suministrada desmontada en una caja de cartón. Antes de desempacarla, inspeccione cuidadosamente la caja de cartón para reconocer posibles daños que se puedan haber producido en el transporte. Si encuentra daños, contacte inmediatamente a su transportista o al representante de Healthometer Professional en el número de teléfono 1-800 815-6615. Las reclamaciones deben ser informadas al transportista lo antes posible tras recibir el envío. La siguiente información detalla el contenido de la caja de cartón que usted encontrará al desembalar la balanza:

Se incluye dentro de la caja;

Balanza (base y columna/cabeza integrada)

Pies (4)

Arandelas de retención (4)

Tornillos mariposa (4)

Adaptador de corriente

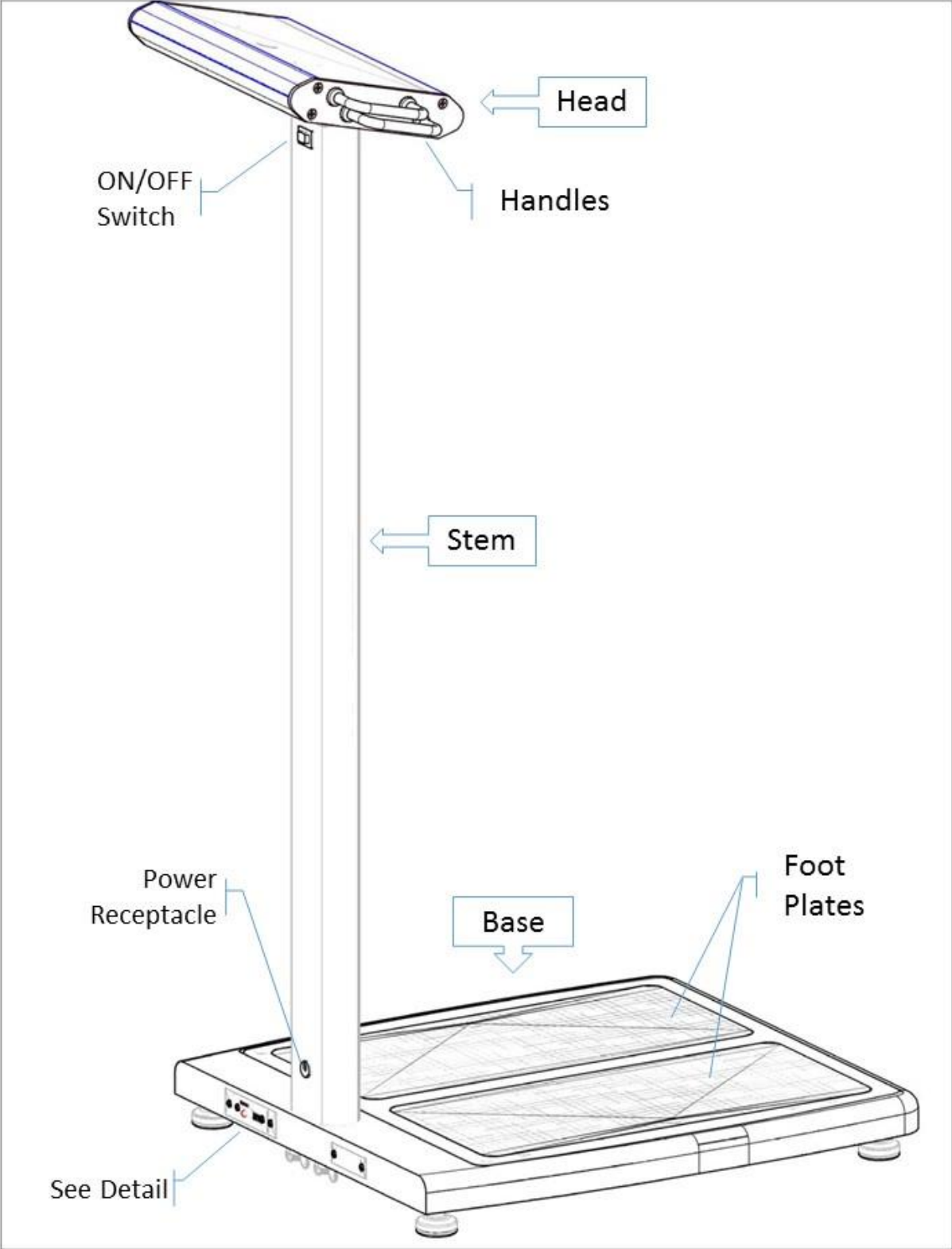
Protector de sobretensión.

Manual

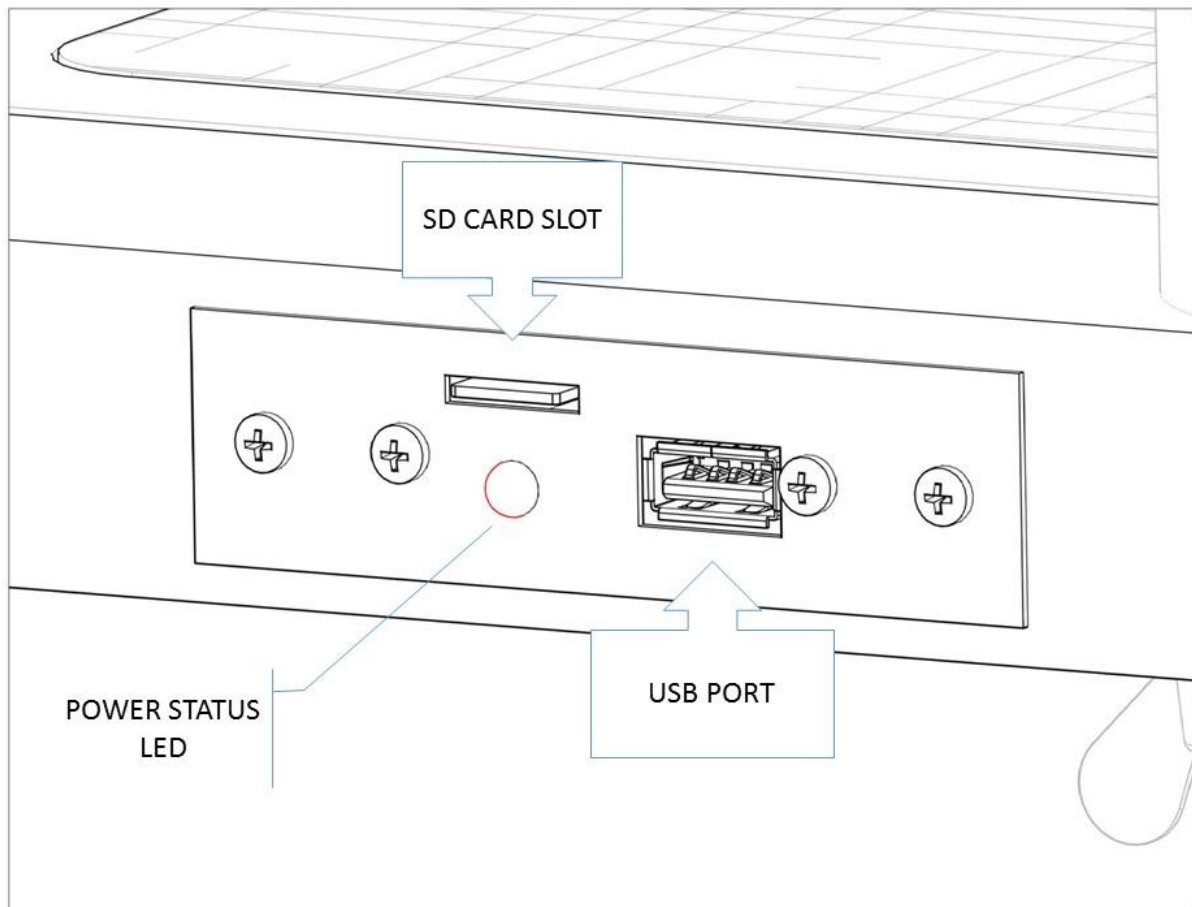
Formatos de impresión.

Para evitar el rayaduras de los componentes, extraiga cuidadosamente cada componente de la caja y desenvuelva los materiales. Deje la caja aparte para el almacenaje. Para evitar daño los componentes de la balanza cuando se desembalan, no use cortado de caja, tijeras, cuchillo ni cualquier instrumento afilado al desembalar.

Partes de la balanza



Detalle

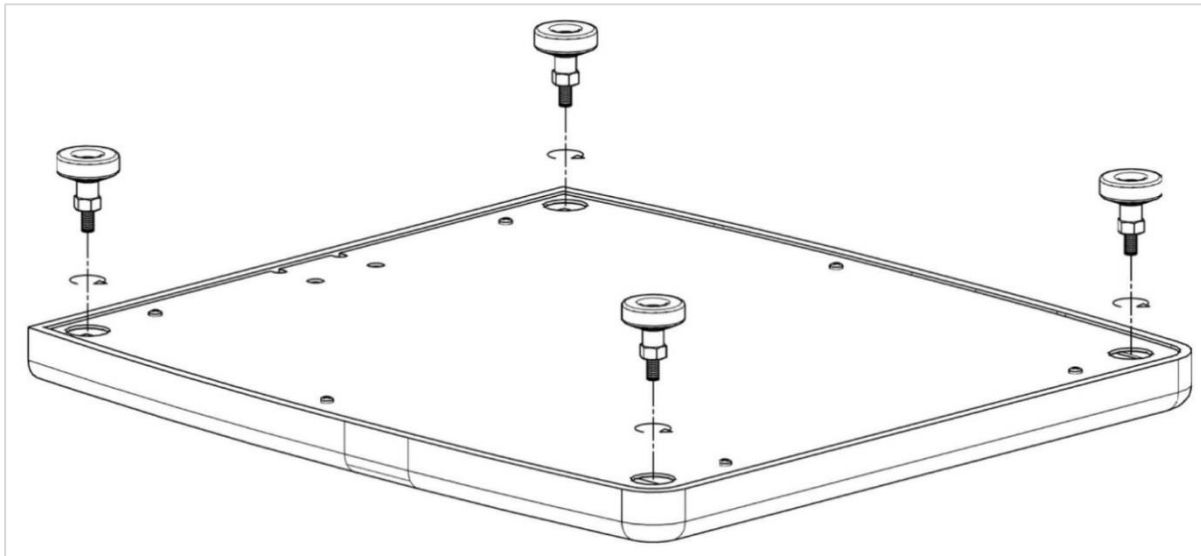


ATENCION.- AVISO

El LED de corriente es un indicador que muestra el estado interno del computador de la balanza. Para evitar daños en el sistema operativo nunca desconecte la alimentación de corriente de la balanza mientras el LED este en ON o INTERMITENTE. Desconectar la balanza con el interruptor ON/OFF y esperar a que el LED se apague antes de desconectar la alimentación de la balanza.

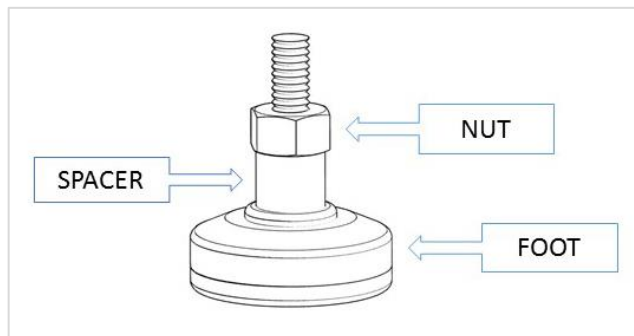
Ensamblaje.

Paso 1. Retirar la base de la caja e instalar los cuatro pies.



Nota: Los pies viene pre-ensamblados. Hay tres componentes en cada pie:

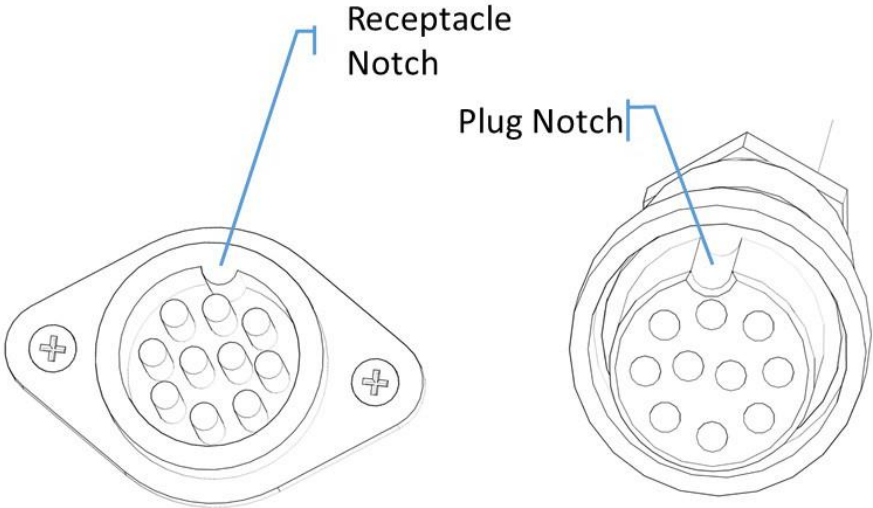
- Pie (Foot)
- Espaciador (Space)
- Nut (Nut)



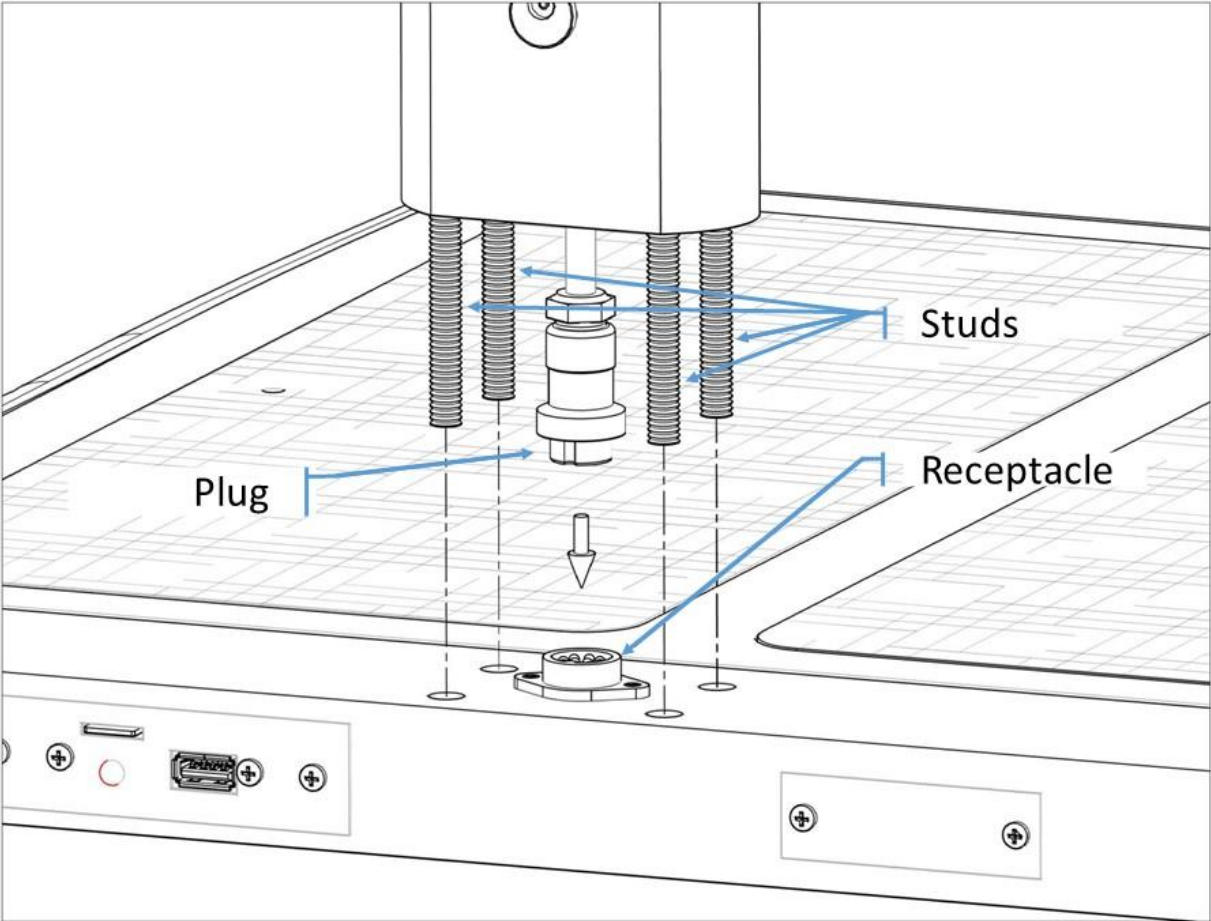
NO DESMONTAR LOS PIES.

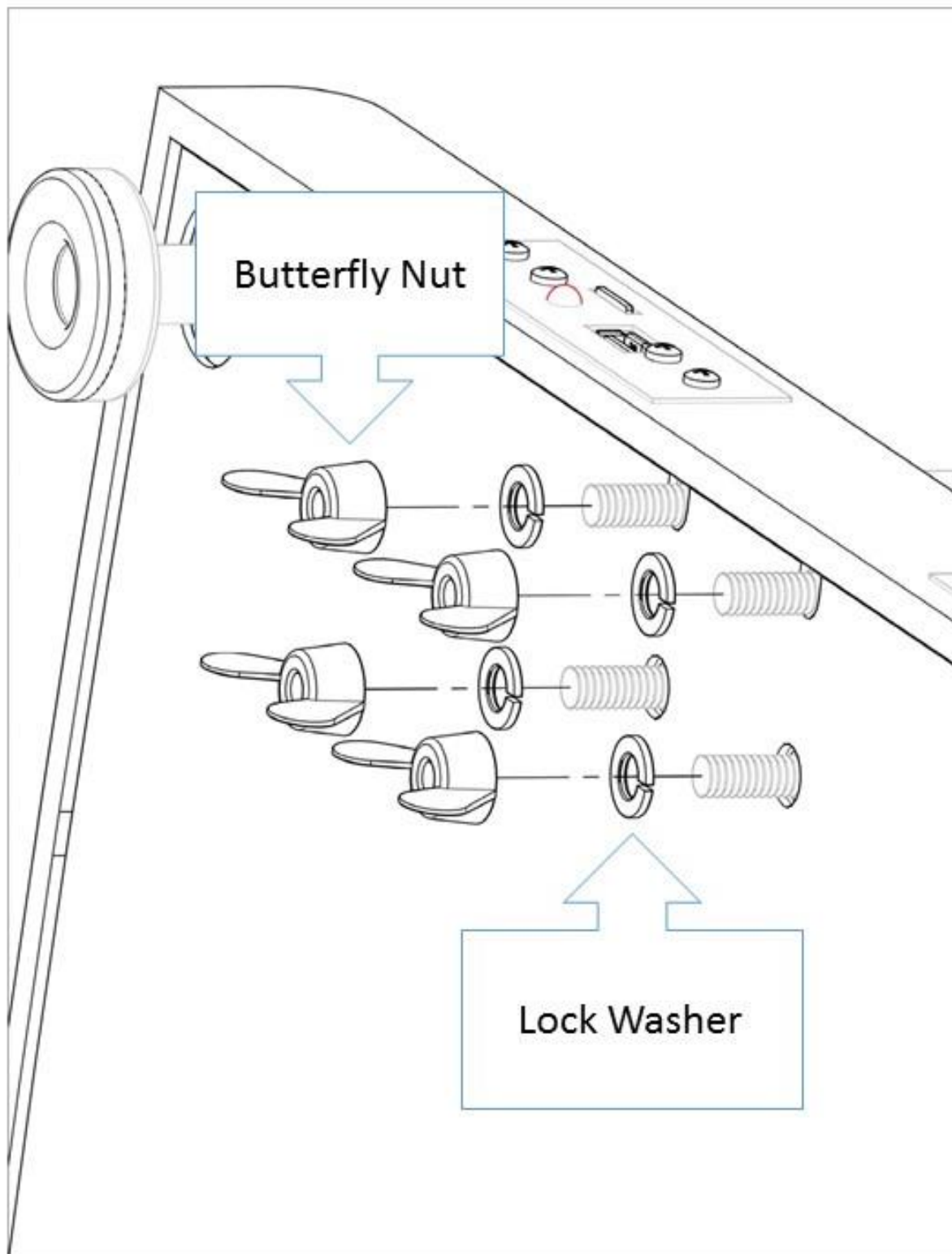
Extraer la tuerca o el espaciador del pie puede provocar el mal funcionamiento de la balanza.

Paso 2. Conectar el enchufe de la columna al receptáculo en la base. Para conectarlo adecuadamente, deben alinearse los conectores con la muesca.



Paso 3. Alinear los 4 pasadores en los cuatro agujeros de la base e insertar.



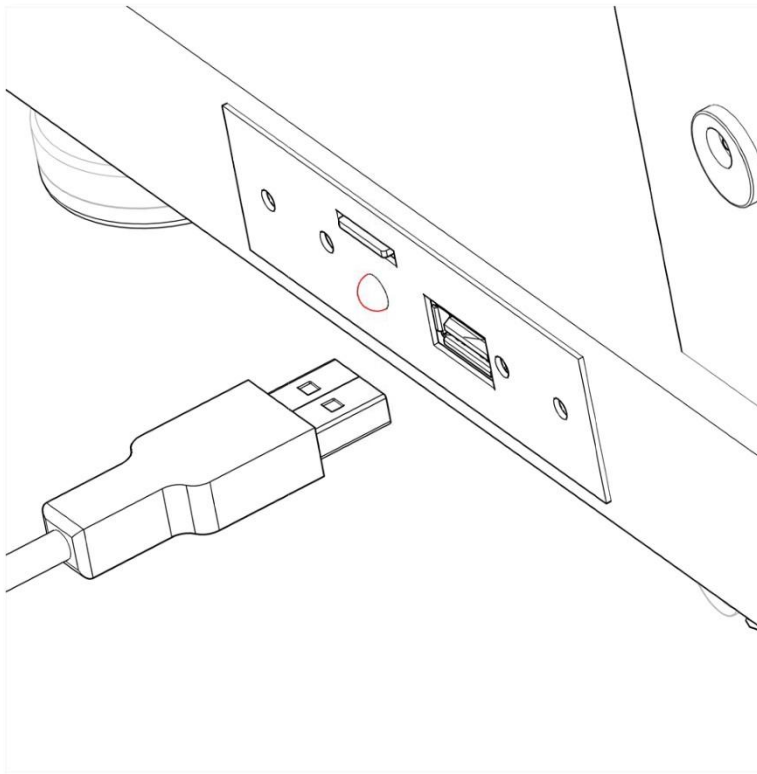


Paso 4. Mientras se sujeta la columna y los pasadores en su sitio, mover con cuidado la balanza hasta un ángulo que permita la parte trasera de la base. insertar las 4 arandelas y apretar la tuerca de mariposa sobre los pasadores.

Conectando la balanza a la impresora (configuración USB)

La BCS-G6 esta diseñada para trabajar con varias impresoras HP. Antes de comprar una impresora, por favor revisar la lista de impresoras compatibles (ver la lista en www.homscales.com)

1. Antes de hacer las conexiones, asegurese de que a balanza esta apagada (off)
2. Encienda la impresora y siga los procedimientos de inicio y alineamiento
3. Conecte la BCS-G6 a la impresora HP insertando uno de los extremos del cable standard USB en el puerto USB de la balanza el otro extremo en el puerto USB de la impresora.



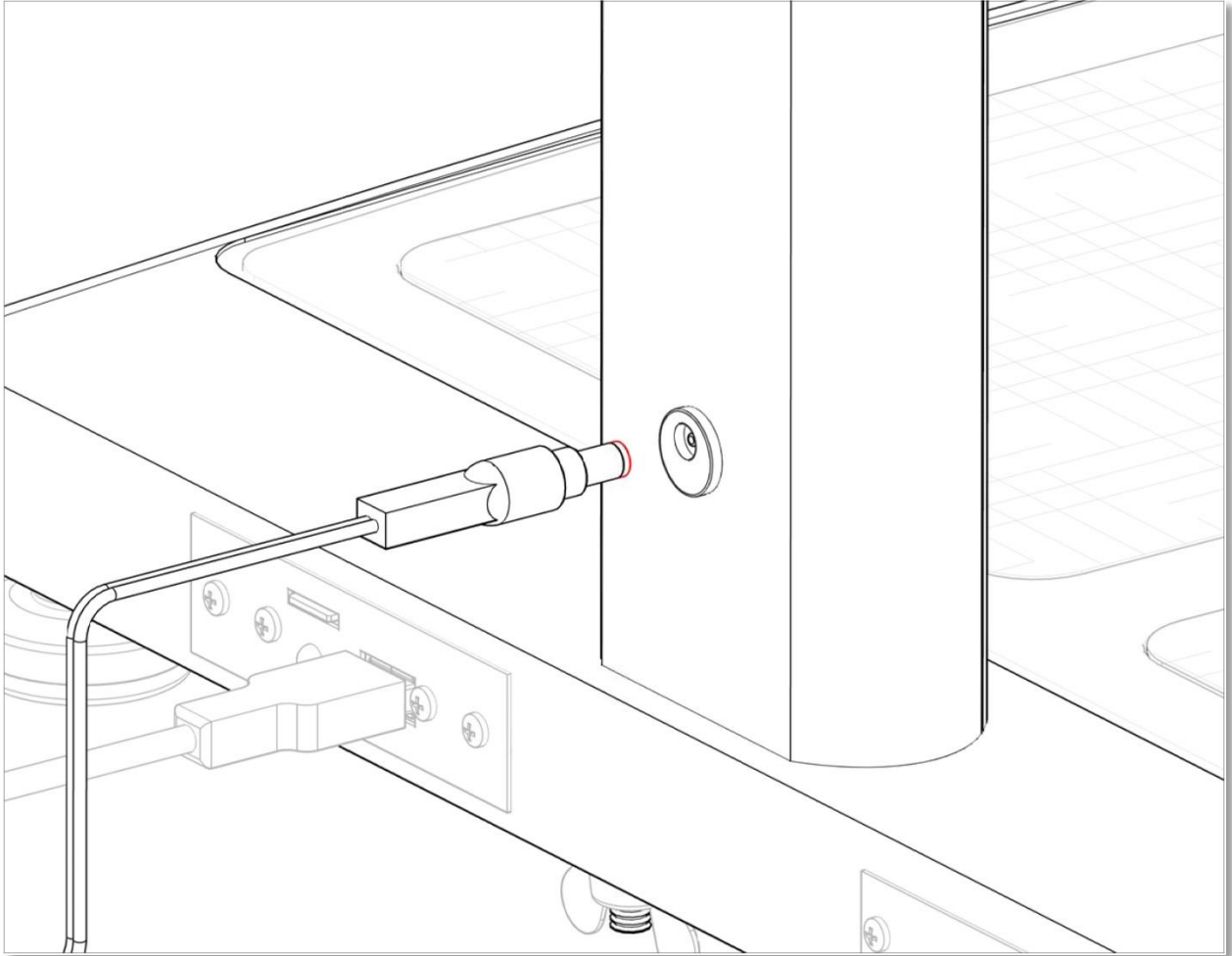
4. Asegúrese de que la impresora está encendida y conectada a la balanza, entonces encienda la balanza.

La BCS-G6 automáticamente detecta la impresora al arranque y selecciona los drivers apropiados

Para resultados óptimos, asegurese de desactivar la función "auto-off" de la impresora

Encendido.

Antes de enchufar la fuente de alimentación a la pared, verifique que el interruptor ON/OFF situado en la parte superior de la columna esta en la posición OFF. Conecte el adaptador de corriente al enchufe y luego a la base de la balanza



Una vez conectado todo ponga en interruptor en la posición ON.

ATENCIÓN AVISO

Para evitar fallos, nunca desconecte el alimentador de corriente de la balanza mientras el LED este encendido o parpadeando.

Ponga el interruptor ON /OFF en posición OFF y espere a que el indicador de estado LED este completamente apagado antes de desconectar el alimentador de corriente.

Cuando se enciende la BCS-G6, la pantalla muestra brevemente el número de serie y otras informaciones técnicas.

El encendido va seguido de una breve cuenta atrás, cuando la pantalla esta en blanco, la balanza está preparada para ser usada.

Sección II – Operaciones.

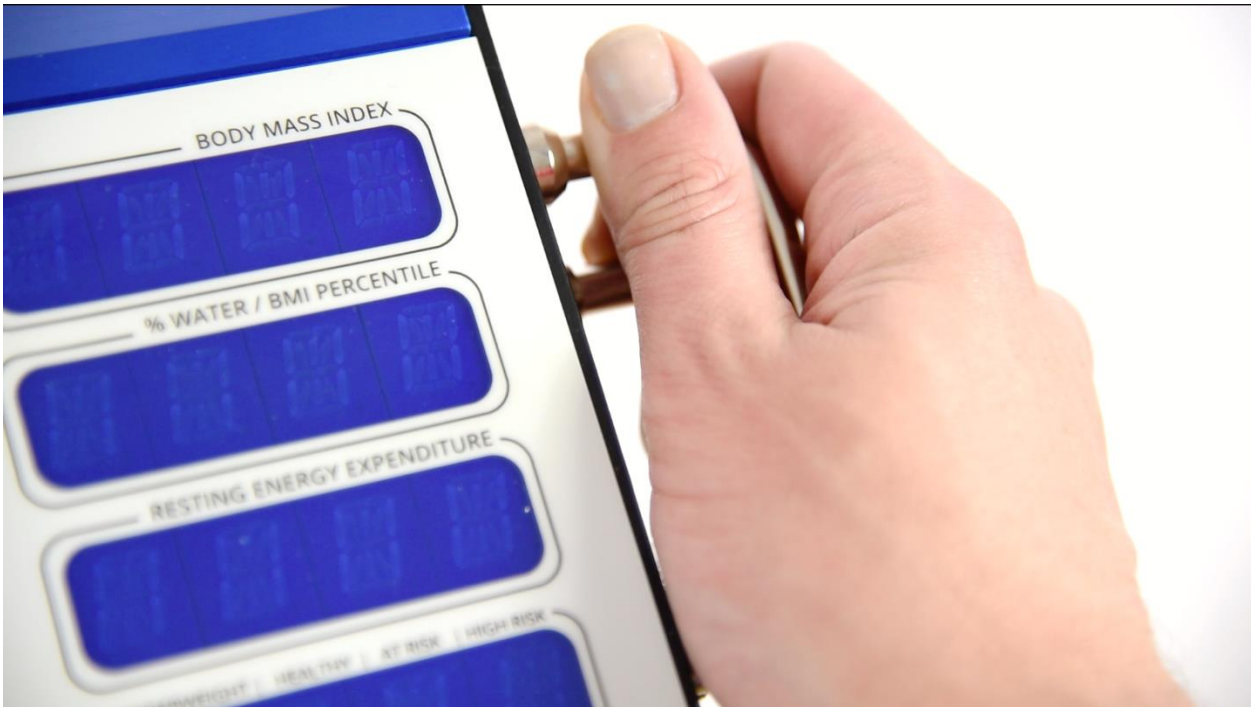
Como tomar la medida;

1. El paciente debe descalzarse, quitarse los calcetines y subir a la balanza.
2. Asegúrese de que el paciente permanece mientras se toma la medida del peso.
3. Cuando se pida introduzca la edad.

En balanzas BCS-G62 Dúo: Para niños de (4 años a 17 años y 11 meses) la edad se introduce con años y meses. Entre 4 y 9 años debe pulsar ENTER antes de introducir los meses. A partir de 10 años automáticamente salta a los meses. Mayores de 18 años no se requiere indicar los meses.

Apretar el ENTER parpadeante para confirmar.

4. La pantalla le pedirá que introduzca su altura.
5. Cuando se le indique seleccione género MALE o FEMALE.
6. Cuando se le indique [GRIP] sujete las asas tocando con la palma de cada mano las dos asas de los dos lados. El pulgar debe descansar sobre la parte superior del asa superior. El aparato medirá la bio-impedancia y mostrará los resultados.



7. Para imprimir los resultados, elegir entre gráfico o plano y pulsar ENTER. (Ver sección IV.- Impresiones para detalles sobre los distintos tipos de impresión)

Como recuperar la última medida tomada.

La BCS-G6 permite al usuario recuperar la última medida tomada e imprimirla. Para recuperar la última medida:

1. Pulse botón RCL en el panel. Los datos serán mostrados.
Los datos se borrarán de la pantalla pulsando CLR de nuevo.
2. Para imprimir, seleccione gráfico o plano y pulse ENTER.

Los últimos resultados serán borrados cuando se apague la balanza.

Seccion III- Interpretación de resultados y normas.

Para poder determinar cambios apreciables en la composición corporal, se recomienda un 3% de variación en el peso corporal.¹

Peso Corporal: Indica el valor total del peso del cuerpo.

% de Grasa Corporal; Tanto por cien de grasa. Reglas basadas en la edad²

%Body Fat Norms				
Male:	Under Fat	Optimal	Overfat	Obese
Ages 4-5	<12	12-19	19-23	23+
Age 6	<12	12-20	20-24	24+
Age 7	<13	13-20	20-25	25+
Age 8	<13	13-21	21-26	26+
Age 9	<13	13-22	22-27	27+
Ages 10-11	<13	13-23	23-28	28+
Age 12	<12	12-23	23-28	28+
Age 13	<12	12-22	22-27	27+
Age 14	<11	11-21	21-26	26+
Age 15	<10	10-21	21-25	25+
Ages 16-18	<10	10-20	20-24	24+
Ages 18-39	<10	10-21	21-26	26+
Ages 40-59	<11	11-22	22-27	27+
Ages 60+	<13	13-24	24-29	29+
Female:	Under Fat	Optimal	Overfat	Obese
Age 4	<14	14-22	22-26	26+
Age 5	<14	14-22	22-26	26+
Age 6	<14	14-23	23-27	27+
Age 7	<15	15-25	25-29	29+
Age 8	<15	15-26	26-30	30+
Age 9	<16	16-27	27-31	31+
Age 10	<16	16-28	28-32	32+
Ages 11-13	<16	16-29	29-33	33+
Ages 14-16	<16	16-30	30-34	34+
Age 17	<16	16-30	30-35	35+
Age 18	<17	17-31	31-35	35+
Ages 18-39	<20	20-34	34-39	39+
Ages 40-59	<21	21-35	35-40	40+
Ages 60+	<22	22-36	36-41	41+

¹ Schoeller, Dale. Human Body Composition: Human Kinetics, 2005. Print

² Based on National Institute of Health/World Health Organization Guidelines.

Índice de Masa Corporal (BMI); Valor que relaciona talla y peso. Se calcula dividiendo el peso entre el cuadrado de la altura.

% Agua corporal: Las normas de hidratación adecuadas se basan en % de grasa corporal³.

Nota: G6-Duo no muestra % de agua corporal en modo pediátrico.

Proper Hydration Ranges		
Body Fat%	Male %Water	Female %Water
10-15	72-65	60-56
16-23	64-59	55-49
24-28	58-54	48-44
29-34	53-49	43-39
35-40	48-45	38-33

% BMI; Se aplica a niños de 4 a 17 años. El percentil BMI es la posición que ocupa el BMI del niño con respecto al total de los niños de su mismo sexo y edad.

Nota: %BMI es solo disponible en balanzas modelo G6-DUO

REE; Energía Basal es el número de calorías requeridas para mantener activas las funciones vitales. Se calcula de manera predictiva a partir de la masa muscular de cada individuo.

Estado de Salud; Se establece en base a los rangos de BMI⁴.

Health Status Ranges - Adult				
	Underweight	Healthy	At Risk	High Risk
BMI	< 18.5	18.5 – 24.9	25 – 29.9	> 30

En el modelo BCS-G6 Duo, para niños menores de 18 años, el estado de Salud es calculado en base al percentil BMI.

Health Status Ranges - Pediatrics				
	Underweight	Healthy	At Risk	High Risk
% BMI	< 5	5 – 85	86 – 94	> 95

³ Schoeller, Dale. Human Body Composition: Human Kinetics, 2005. Print

⁴ Based on CDC Guidelines

Masa libre de Grasa; Se refiere a la parte del cuerpo compuesta por musculo, hueso, órganos y fluidos.

Requerimientos Energéticos; Se calculan sumando a la tasa metabólica basal, los requerimientos energéticos de la actividad física desarrollada. Tener presente que 3500 calorías equivalen a medio kilo de grasa.

Grasa Visceral; Es la grasa que se acumula en la cavidad abdominal y se almacena en distintos órganos como hígado, páncreas e intestinos.

Visceral Fat Level Range ⁵		
Normal	High	Very High
1 – 9	10 – 14	15+

¹ Simplified Estimation Method for Visceral Adipose Tissue. North American Association for the Study of Obesity.

Sección IV – Impresión

Cuando se obtienen los resultados, la BCS-G6 permite al usuario elegir entre dos tipos de reportes (Gráfica o Plana).

Impresión Plana.

La impresión plana o sencilla consiste en una hoja resumen que incluye todos los datos y cálculos.

Programación del número de copias.

El usuario puede predefinir el número de copias de cada reporte que desea imprimir. La opción por defecto es 1.

Cambiar el valor por defecto:

1. Sin subir a la balanza, pulse #3 para acceder al menú ajustes menu
2. Cuando aparezca [MENU?] seleccionar Plano
3. Introducir el número de copias que desee imprimir (entre 1 y 9)
4. La pantalla indicará DONE y volverá al estado de reposo.

Impresión Gráficas.

La impresión de gráficas es un informe de varias hojas para su impresión sobre unas plantillas pre impresas. La BCS-G6 está programada para la impresión de reportes sobre distintas plantillas.

Fíjese que el modelo BCS-G6 Dúo automáticamente seleccionará la plantilla pediátrica para edades menores a 18.

Para una correcta impresión debe colocar las plantillas con la parte impresa abajo y la cabecera al fondo.

Seleccionando los distintos tipos de informe gráfico.

Su BCS-G6 le permite seleccionar entre informe Adulto/Bariátrico de 5 hojas y el informe Fitness de 3 hojas.

1. Sin subirse a la balanza pulse #3 para acceder al menú ajustes.
2. Cuando aparezca [MENU?] seleccionar Grafica.
3. Poner "0" para informe Adulto/Bariátrico de 5 hojas.
4. Poner "4" para informe Fitness de 3 hojas.
5. La pantalla indicará DONE y volverá al estado de reposo.



**ADULT/BARIATRIC
PRINTOUTS**



**FITNESS
PRINTOUTS**



**PEDIATRIC
PRINTOUTS**



Sección V – Modos Especiales

Modo Solo Peso.

La Balanza BCS-G6 le permite tomar únicamente medida del Peso.

Para establecer este modo: Apriete **Weight Only** antes de subirse a la balanza.

En la pantalla aparecerá **WGT ON**. Subirse a la balanza y pulsar **Enter**. En la pantalla aparecerá una cuenta atrás desde 5 a 1 y aparecerá el peso.

Para borrarlo apretar **CLR**

Modo Atlético.

Se considera Atlético aquel individuo que ha realizado ejercicio al menos 40 min (20 aeróbico / 20 anaeróbico) durante los últimos 6 meses.

Para establecer el modo Atlético: Ecuación predictiva

1. Sin subirse a la balanza, pulse **#7**, antes de subirse a la balanza. En la pantalla aparecerá **[ATH MODE Y/N?]**
2. Pulse **YES** para activar el modo ATH o **NO** para desactivarlo.

Estos pasos establecerán este modo para un único uso, después de realizar la prueba, la balanza volverá al modo estándar.

Modo Bodybuilder: Ecuación predictiva.

Se aplica a individuos que sobrepasan en más de un 20% su peso ideal (según tablas Metropolitan Life Talla/Peso) y ese peso debe ser principalmente músculo.

Para establecer el modo Bodybuilder: Ecuación predictiva

1. Sin subirse a la balanza, pulse **#8**, antes de subirse a la balanza. En la pantalla aparecerá **[BB MODE Y/N?]**
2. Pulse **YES** para activar el modo BB o **NO** para desactivarlo.

Estos pasos establecerán este modo para un único uso, después de realizar la prueba, la balanza volverá al modo estándar.

Sección VI – Personalizaciones

Opción de Bloqueo.

La opción LOCK permite el bloqueo y previene del uso por personal no autorizado. Cuando la balanza esta bloqueada requiere que se le indique una ID autorizada antes de su uso.

Para Activar la función bloqueo:

1. Pulse #3 para acceder al menú ajustes. Menu Password (PW) 7538
2. Cuando aparezca [MENU?] Pulse #9. La pantalla indicará [PIN ¿Y/N?]
3. Apriete **YES** para activar Lock PIN o **NO** para desactivarlo

La autorización ID por defecto es 1234. Puede ser cambiada en cualquier momento.

Cambio del numero de autorización ID.

1. Pulse #9 para acceder al menú ajustes. Menu Password (PW) 7538
2. Cuando aparezca [MENU?] Apretar #1. Introducir (PW): 1973
La pantalla indicará [NEW PIN----]
3. Introducir nuevo código PIN de 4 dígitos.

Fíjese que el PIN maestro es 1973 y puede ser usado para usar al menú si olvida el PIN-PW

Opción Impresión Ohms

Esta opción le permite incluir o no las medidas de bio-impedancia en el informe. Inicialmente esta opción esta desactivada.

Para activar esta opción:

1. Presione #3 para acceder al menú ajustes.
2. Cuando aparezca [MENU?] Apretar #5. La pantalla indicará [OHMS MODE Y/N?]
3. Apriete **YES** para activar opción OHMS o **NO** para desactivarlo.

Opción ID del Operario. (Physician)

La balanza BCS-G6 permite establecer una ID del Operario. La ID puede ser un número de hasta 8 dígitos y ser impresa en los informes bajo el epígrafe “realizado por:”

Activar la ID Physician.

1. Presione 5 antes de subir a la balanza. La pantalla indicará. [ID 0000 0000]
2. Introduzca su código ID y pulse ENTER

La ID puede ser modificada o borrada en cualquier momento.

Opción de ID de Paciente.

Esta opción le permite usar una ID de paciente en cada prueba. Inicialmente esta opción está desactivada.

Activar la ID de paciente.

1. Presione 2 para acceder al menú ajustes.
2. Cuando aparezca [MENU?] Apretar #4. La pantalla indicará [ID MODE Y/N?]
3. Apriete **YES** para activar opción ID paciente o **NO** para desactivarlo.

Sección VII- Mantenimiento.

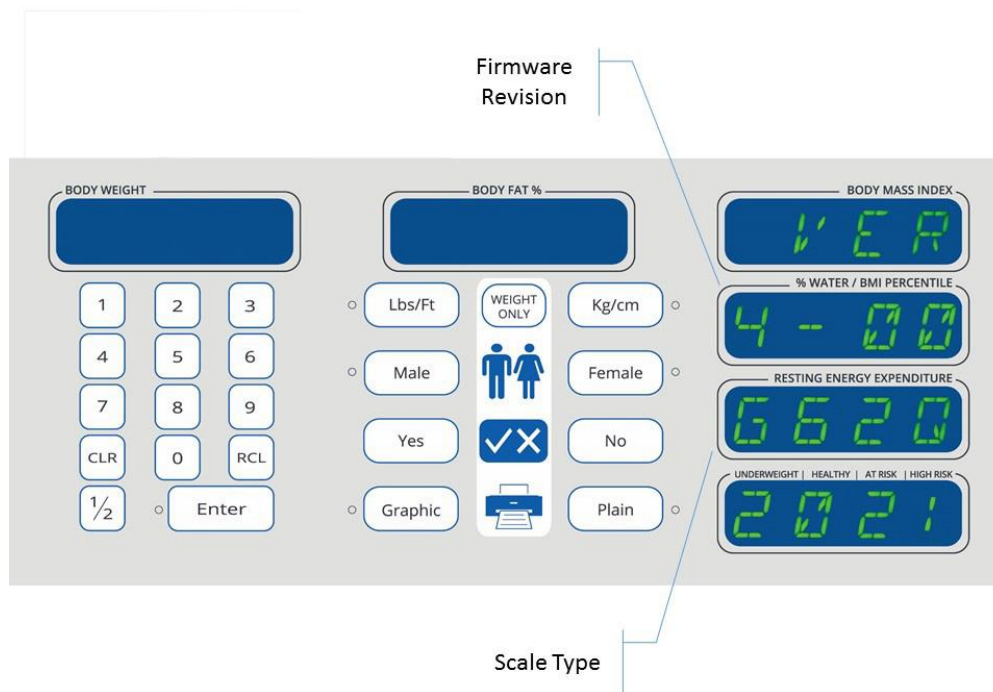
Esta sección contiene instrucciones de mantenimiento, limpieza, calibración y solución de problemas.

Cuidado. Antes del primer uso o tras un largo periodo de inactividad verifique el correcto funcionamiento de la misma. Si no funciona correctamente contacte con el servicio técnico.

1. Verifique el estado general de la balanza para descartar cualquier daño evidente
2. Verifique el adaptador AC y su cable por si estuviese dañado.

Número de Serie y otras informaciones técnicas;

En el teclado



Para acceder a la información técnica, apriete 4. La pantalla mostrará el nº de Serie, fecha de revisión, modelo de la balanza. Apriete [CLR] para borrar.

Calibración.

Para las instrucciones de calibración contacte con el departamento de atención al cliente de Health o meter 1-800-815-6615.

Cero Calibración.

Apriete 0 cuando la balanza para restablecer el 0.

Limpieza.

Una limpieza cuidadosa es necesaria para asegurar el correcto funcionamiento de la balanza durante mucho tiempo.

Cuidado: desenchufe la balanza antes de su limpieza.



ATENCIÓN- AVISO

El LED es un indicador del estado de actividad de la balanza a nivel interno. Para evitar daños al sistema operativo NUNCA DESCONECTE LA ALIMENTACION mientras el LED este encendido o parpadeando. Apague la balanza con el interruptor ON/OFF y espere a que se apague completamente el LED antes de desconectar la fuente de alimentación.

1. Limpie toda la superficie externa de la balanza con una bayeta o pañuelo. Un jabón antibacteriano suave puede ser empleado. Seque toda la superficie con un trapo limpio y seco.
2. NO sumerja la balanza en líquidos limpiadores de ningún tipo.
3. No use alcohol Isopropílico u otras sustancias para limpiar la pantalla.
4. No use agentes abrasivos.

Soluciones de Problemas

Problema	Causa	Solución
No imprime	Impresora No compatible	Verifique si esta en el listado de impresoras compatibles.
	Poca tinta	Reemplace el cartucho.
	Cartucho inapropiado	Use cartuchos originales.
	Falta Papel	Verifique que esta bien colocado en la bandeja adecuada.
	Cable USB no conectado	Verifique las conexiones del cable a la impresora y a la balanza.
	Fallo de comunicación con la impresora	Apague la balanza. Espere a que se apague el LED. Verifique que la impresora esté encendida y bien conectada. Encienda la balanza.
Mala impresión de las graficas.	Colocación Incorrecta	
La Balanza no se enciende	Cable de alimentación defectuoso	Verifique que es el original
	Cable de alimentación dañado	Contacte con servicio Técnico 1-800-815-6615
	No llega la alimentación al transformador AC	Verifique el enchufe
	Fuente de alimentación no se enciende	Verifique que está bien conectada
	Interruptor apagado	Enciéndalo
La balanza no reacciona al peso	Los pies no están instalados en la base	Verifique que los 4 pies estén bien montados conforme a las instrucciones del manual
	Falta la abrazadera y/o tuerca del pie de la balanza	Comprobar que durante el montaje no se haya retirado la abrazadera ni la tuerca
	Conector 10 pin desconectado	Desmonte y conecte el cable como indica el manual
Medidas inconsistentes	La balanza no está en una superficie plana	Desplácela a una superficie plana o ajuste el nivel de las patas.
La balanza no procesa composición corporal después de que el paciente haya agarrado las asas	El usuario no se ha quitado zapatos y calcetines	El usuario debe quitarse los zapatos y calcetines.
	Sequedad extrema o callosidad en pies o manos	Use una crema hidratante

Seccion VII Impresoras Compatibles.

Vea el listado de impresoras compatibles o verifíquelo en www.homscales.com para encontrar los modelos compatibles

Para información adicional llame a 1-800-815-6615

www.homscales.com

Impresoras Compatibles.

Updated 11-30-2020)

HP DeskJet 1010 Printer

HP DeskJet 1110 Printer

HP DeskJet 1112 Printer

HP DeskJet 2130 All-in-One Printer

HP DeskJet 2655 All-in-One Printer

HP DeskJet 3755 All-in-One Printer

HP DeskJet 5255 All-in-One Printer

HP DeskJet Plus 4155 All-in-One-Printer

HP ENVY 4500 e-All-in-One Printer

HP ENVY 4520 All-in-One Printer

HP ENVY 5055 All-in-One Printer

HP ENVY 5540 All-in-One Printer

HP ENVY 5660 e-All-in-One Printer

HP ENVY 5661 e-All-in-One Printer

HP ENVY 6055 All-in-One Printer

HP ENVY 6075 All-in-One Printer

HP ENVY 7640 e-All-in-One Printer

HP ENVY Photo 6255 All-in-One Printer

HP ENVY Photo 7155 All-in-One Printer

HP ENVY Photo 7855 All-in-One Printer

HP Envy Pro 6055 All-in-One Printer

HP Envy Pro 6475 All-in-One Printer

HP OfficeJet 3830 All-in-One Printer

HP OfficeJet 4650 All-in-One Printer

HP OfficeJet 5740 e-All-in-One Printer

HP OfficeJet 5745 e-All-in-One Printer

HP OfficeJet 7510 Wide Format All-in-One Printer

HP OfficeJet Pro 6100 ePrinter

HP Officejet Pro 6230 ePrinter

HP OfficeJet Pro 6830 e-All-in-One Printer

HP OfficeJet Pro 6835 e-All-in-One Printer

HP OfficeJet Pro 6968 All-in-One Printer

HP OfficeJet Pro 6978 All-in-One Printer

HP OfficeJet Pro 7720 Wide Format All-in-One Printer

HP OfficeJet Pro 7740 Wide Format All-in-One Printer

HP OfficeJet Pro 8025e All-in-One Printer

HP OfficeJet Pro 8035e All-in-One Printer

HP OfficeJet Pro 8100 ePrinter

HP OfficeJet Pro 8210 Printer

HP OfficeJet Pro 8216 Printer

HP OfficeJet Pro 8710 All-in-One Printer

HP OfficeJet Pro 8720 All-in-One Printer

HP OfficeJet Pro 8730 All-in-One Printer

HP Officejet Pro 9015e All-in-One Printer

HP Officejet Pro 9025e All-in-One Printer

HP Smart Tank Plus 551 All-in-One Printer

HP Smart Tank Plus 651 All-in-One Printer