



New!
Handheld
model now
available!

Waldmann **W**

ENGINEERS OF LIGHT

OPTICLUX LED MAGNIFIER LUMINAIRE



reddot award 2018
winner



New!
Handheld model
now available!



suitable for
Laboratories,
medical practices,
clinics, etc.

**APPROVED
MEDICAL DEVICE**

compliant with

EN 60601-1



OPTICLUX MAGNIFIER LUMINAIRE



Peerless light field

Oversized 6.3" wide lens, 1.9x (3.5d) magnification and adjustable step-free dimming.



Ergonomic handling

Spring-balanced arm and friction joints allow smooth handling without the luminaire head drifting or drooping.



Long service life

Premium high-powered LEDs, scratch-resistant special-coated lens and precision components ensure strength and durability.



Flexible positioning

Long easily maneuverable joints and ergonomically-tested arm for ease of use and reliable precision.



What is a Wood's light and why is it important?

A Wood's light examination is a test that uses ultraviolet (UV) light to look at the skin closely. The test is usually done in a dark room. The dermatologist will turn on the Wood's light and hold it 4 to 5 inches from the skin to look for color changes.

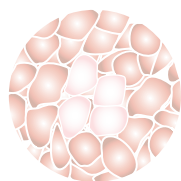
OPTICLUX and Wood's light.

The special model option for dermatologists, veterinarians and forensic medicine combines two lighting modes in one device: daylight white illumination and Wood's light. With the flip of a switch, the practitioner is able to use the right tool for whatever task needs to be done. A variety of examination types can be performed with just one light. Other Wood luminaires require the room to be completely darkened. Thanks to powerful BLB LEDs, the Opticlux does not require this.

For radiation of certain dermatomycoses to obtain diagnostic indications based on the fluorescence that occurs:

- ERYTHRASMA (red fluorescence)
- MICROSPORIA (weak green fluorescence)
- FAVUS (bilious green fluorescence)
- TRICHOBACTERIOSIS AXILLARIS (yellow ochre colored fluorescence)
- PITYRIASIS VERSICOLOR (yellow ochre colored fluorescence)
- TUBEROUS SCHLEROSIS (blue-white fluorescence versus normal skin)
- VITILIGO (blue-white fluorescence of depigmented areas)
- SCABIES (gray-white mite tracks)

Also for fluorescence diagnostics (FD) for in-vivo diagnostics of dysplastic tissues and surface tumors in connection with local or systemically applied pigment, such as PPIX or 5-ALA.

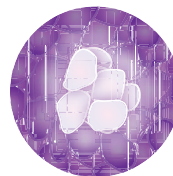


**LED light
& dimming**

Skin under daylight-simulating LED light

Reliable color rendering

Premium 6500 K LEDs ensure less shadow formation and optimal color rendering (CRI / Ra > 93, R9 > 90, R13 > 95)



**Wood's light
(365 nm)**

Accurate diagnosis: Skin variations appear more distinctive under the Wood's light, a must in dermatology as well as many other fields of medicine.

Special for dermatology *

Two lighting modes in one device: optional Wood's light for examining lesions and pigment changes

OPTICLUX FOR THE PRACTICE AND IN THE LAB.



Effortless observation

90 high-quality LEDs, low-shadow illumination; adjustable step-free dimming and a 1.9x (3.5d) wide-angle lens ensures clear, even viewing.

Precise positioning

Light arm made of aluminum and fiberglass-reinforced friction joints ensure long life and highly accurate positioning despite low weight.

More economical, reliable use

High-efficiency LED light technology saves energy and ensures long-term maintenance-free operation.

Simple, versatile mounting options

The only magnifier luminaire in its segment that is available as a ceiling version as well as the 16mm pin-mount version for mounting on wall, table, rail and rolling floor stand.

Easy cleaning

Lens cover, keypad and premium housing for fast cleaning.

Optimal color rendering

Especially skin and red tones are reproduced close to optimal daylight; color rendering Opticlux CRI / Ra > 93, R9 > 90, R13 > 95.



ONE MAGNIFIER LUMINAIRE. MANY APPLICATIONS.

Very few magnifier luminaires are tested medical devices according to EN 60601-1. With its unique light quality and sophisticated design, OPTICLUX is ideal for use in various fields of medicine.



Dermatologists

Optimal examination conditions:

- Large magnifier diameter
- Ergonomic handling
- Very good color rendering $R13 > 95$

The Wood's light version is recommended for diagnosis of skin diseases.



Hospitals, outpatient clinics and practices

Other uses:

- Ideal magnification for inspecting sterilized goods
- Approved medical device for examinations
- Minor treatments
- Outstanding light quality
- Color rendering properties

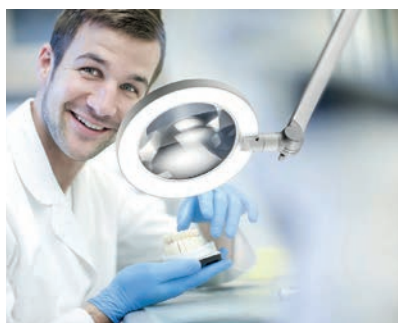


Veterinarians

Free hand:

- Flexible mounting options: ceiling, wall, rail, or rolling floor stand
- Large light field
- Optimal magnification for examination and treatment of various animals

The Wood's light version is recommended for optimal diagnosis of skin diseases.



Dental technicians

Outstanding lighting properties:

- Step-free dimming
- 1.9x (3.5d) magnification
- Excellent color reproduction $CRI / Ra > 93$ for the best results and fatigue-free work



Laboratories

Details at a glance:

- True daylight-white LED light with 1.9x (3.5d) magnification
- Smooth, even light field
- Precise, stable positioning with no risk of the luminaire sinking



Quality control

Detect subtleties:

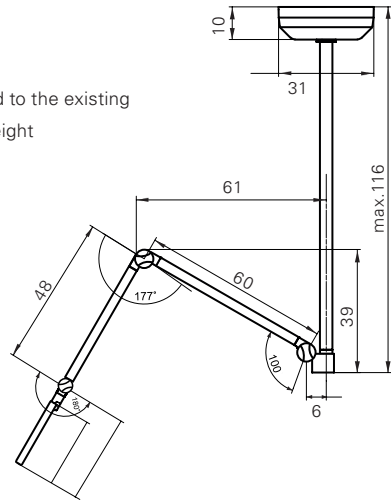
- Very bright, dimmable light with optimal color rendering
- Large magnifier diameter
- Distortion-free magnification supports systematic quality control

CEILING VERSION



Ceiling mount*

Can be adapted to the existing room ceiling height



PIN-MOUNT VERSION



Rail mount

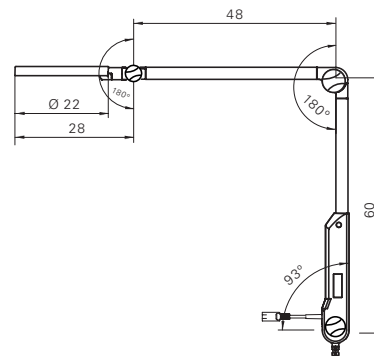


Table clamp mount



Wall mount



Rolling floor stand

NEW!

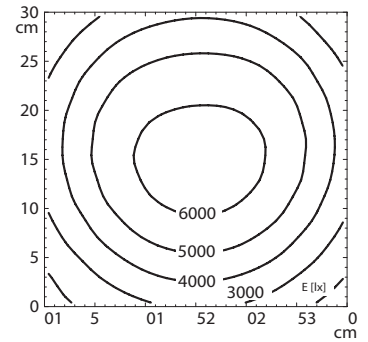
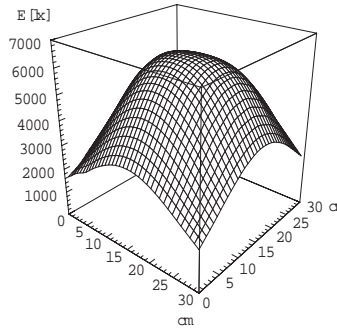


OPTICLUX Hand held shown with optional charging station

*For 8-11.5' ceiling heights with field cuttable tube

OPTICLUX Family at a glance

- Color temperature daylight white 6500 K *
- Magnification 1.9x (3.5 diopters)
- 6.3" specially-treated hard acrylic magnifier lens with protective lens cover
- Color rendering properties: CRI > 93, R9 > 90, R13 > 95
- Light field: 6000 lux / 0.15 m
- Continuously dimmable 100% of 10%
- Several mounting options available
- Complies to EN-60601-1 standards
- Optional Wood's light: Peak at 365 nm



OPTICLUX Hand unique features

- Homogeneous and very bright light field (8,000 lx at 0.15 m)
- USB-C interface
- 3 hours of battery life
- Optional charging stand



ORDERING INFORMATION

Model	Mounting Type	Special Features	Part No
Opticlux 10-1 CT1	Ceiling*		D16070000
Opticlux 10-2 CT1	Ceiling*	Wood's light	D16071000
Opticlux 10-1 P TX	Clamp		D15954100
Opticlux 10-2 TX	Clamp	Wood's light	D15953100
Opticlux 10-1 P TX	Rail Mount		D15954150
Opticlux 10-2 TX	Rail Mount	Wood's light	D15953150
Opticlux 10-1 P TX	Rolling Stand		D15954110
Opticlux 10-2 TX	Rolling Stand	Wood's light	D15953110
Opticlux 10-1 P TX	Wall Mount		D15954120
Opticlux 10-2 TX	Wall Mount	Wood's light	D15953120
Opticlux 10-1 P TX	Wall Mount/Extension Arm		D15954130
Opticlux 10-2 TX	Wall Mount/Extension Arm	Wood's light	D15953130
Opticlux Hand NEW!	Hand held	Wood's light	D16067000

ACCESSORIES

Table Clamp

Material Steel/polyresir
 Span 0-2.75"
 Weight 1 lb
 Color Black
Part # D14228000



Rolling Floor Stand

Material Steel/plastic
 Color Gray
 Dimensions 39" height X Ø 28"
 Weight 16.5 lbs
Part # D15595000



Wall Mount

Material Polyamide
 Weight .5 lb
 Color White
Part # D13231000



Rail Clamp**

Material Anodized aluminum
 Span 0-2.75"
Part # D13269000



Universal Base Mount

Dimensions 2.4" x 2.4"
 Color Black
Part # 204090019-00000599



Ceiling Cover Plate

Width **Part #**
 100 mm **D12853000-00814439**
 385 mm **D15378000-00663168**



Charging Station: Hand held

Material ABS Plastic
 Connection USB integrated charging cable
 Mounting Table or wall
 Color White
Part # D16173000



Extension Arm

Material Powder coated tubular steel
 Length 15.7"
 Weight 1.4 lbs
 Load 5.5 lbs
 Capacity
 Color White
Part # D13363000



Mounting Rail

Length **Part #**
 1 meter **D13505000**
 1.5 meter **D13506000**



**Mounting rail sold separately