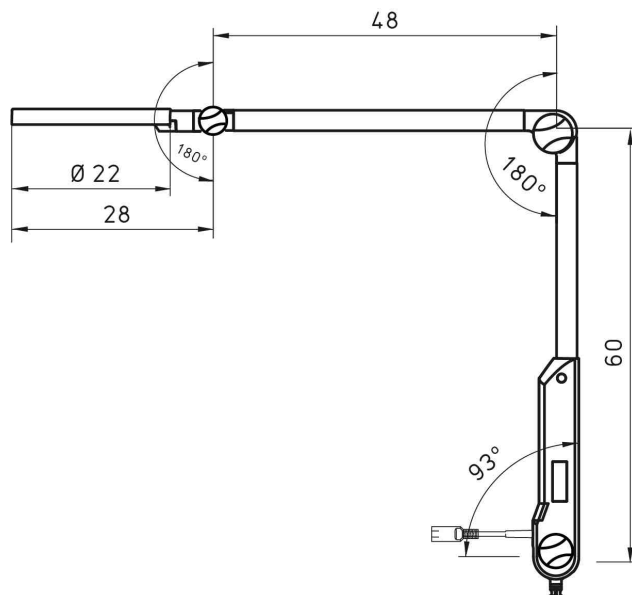
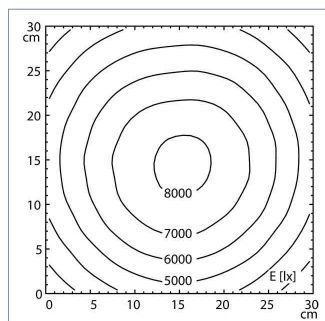
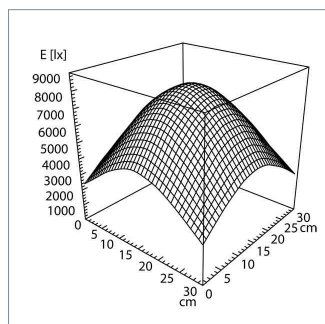




fitted with	LED - Energy efficiency category A+
color rendering index (CRI)	>95
colour temperatur	6500 K
work equipment	electronic converter
mains lead	1.8 m (5.9 ft) Hospital Grade plug
lens; dimensions	Ø 160 mm
lens; diopters	3,5
luminaire body	polyamide (PA)
weight (net)	2.1 kg (4.6 lb)
Power consumption	12 W
usage	keypad at luminaire head
balance of articulation joints	spring
class of protection	II
Accessory	roll support, rail fastening with removal protect table clamp with removal protection, universal fastening with removal protection, extension a removal protection, wall bracket with removal protection
norms	EN 60601-1, EN 60601-2-41
special features	Rotary feedthrough (360° Turnover axis), scratch-proof plastic lens, continuously dimmal switchable Wood-Light
Fastening	Table Clamp



## light distribution

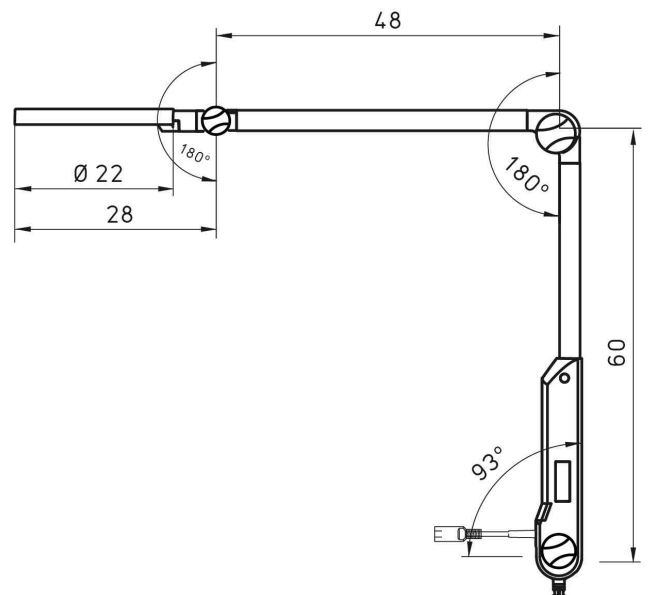
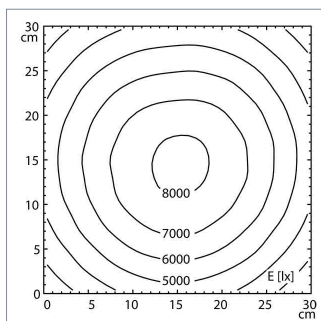
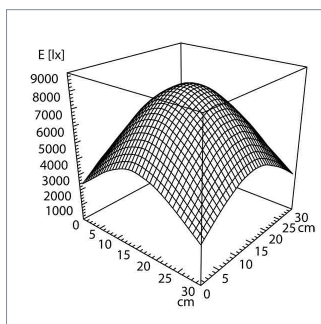




fitted with	LED - Energy efficiency category A+
color rendering index (CRI)	>95
colour temperatur	6500 K
work equipment	electronic converter
mains lead	1.8 m (5.9 ft) Hospital Grade plug
lens; dimensions	Ø 160 mm
lens; diopters	3,5
luminaire body	polyamide (PA)
weight (net)	2.1 kg (4.6 lb)
Power consumption	12 W
usage	keypad at luminaire head
balance of articulation joints	spring
class of protection	II
Accessory	roll support, rail fastening with removal protect table clamp with removal protection, universal fastening with removal protection, extension ar removal protection, wall bracket with removal protection
norms	EN 60601-1, EN 60601-2-41
special features	Rotary feedthrough (360° Turnover axis), scratch-proof plastic lens, continuously dimmal switchable Wood-Light
Fastening	Floor stand



## light distribution

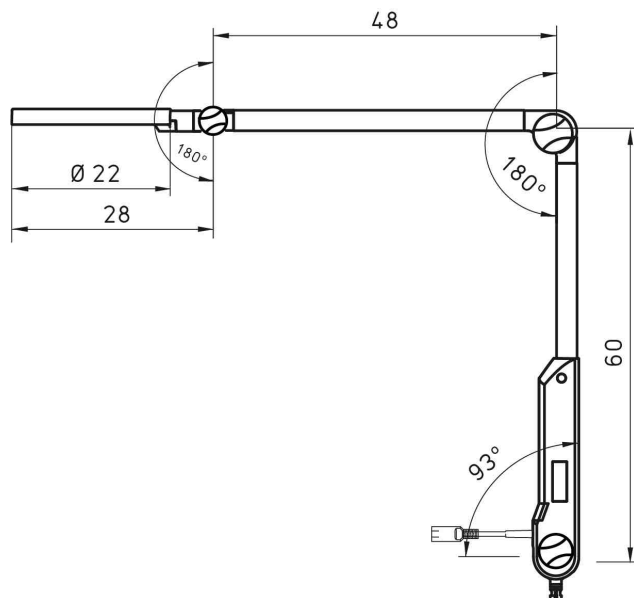
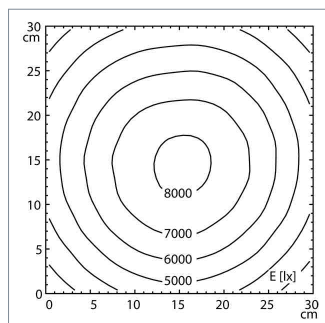
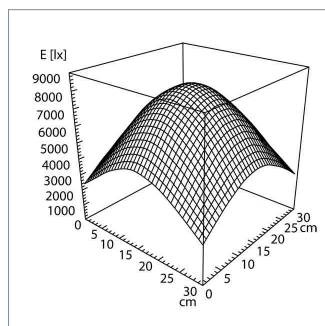




fitted with	LED - Energy efficiency category A+
color rendering index (CRI)	>95
colour temperatur	6500 K
work equipment	electronic converter
mains lead	1.8 m (5.9 ft) Hospital Grade plug
lens; dimensions	Ø 160 mm
lens; diopters	3,5
luminaire body	polyamide (PA)
weight (net)	2.1 kg (4.6 lb)
Power consumption	12 W
usage	keypad at luminaire head
balance of articulation joints	spring
class of protection	II
Accessory	roll support, rail fastening with removal protect table clamp with removal protection, universal fastening with removal protection, extension ar removal protection, wall bracket with removal protection
norms	EN 60601-1, EN 60601-2-41
special features	Rotary feedthrough (360° Turnover axis), scratch-proof plastic lens, continuously dimmal switchable Wood-Light
Fastening	Wall Mount



light distribution

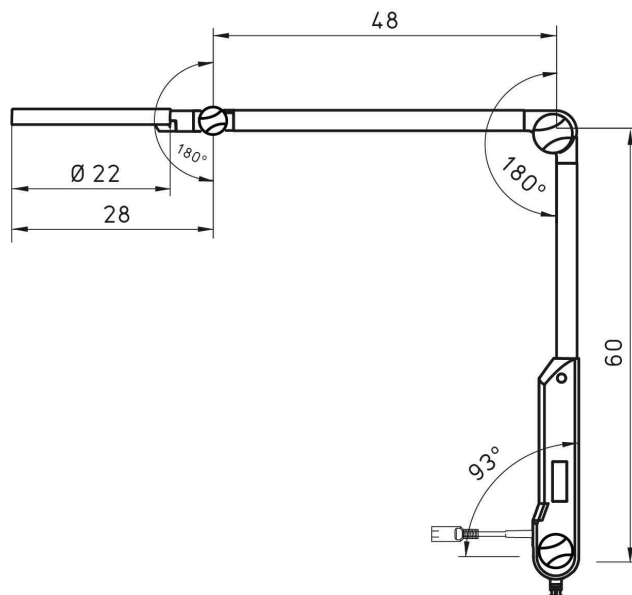
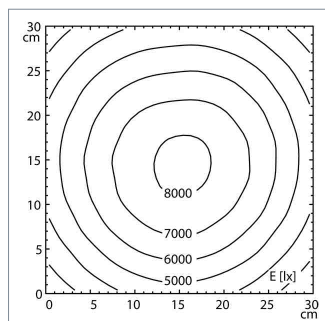
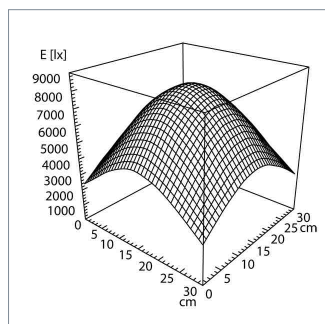




fitted with	LED - Energy efficiency category A+
color rendering index (CRI)	>95
colour temperatur	6500 K
work equipment	electronic converter
mains lead	1.8 m (5.9 ft) Hospital Grade plug
lens; dimensions	Ø 160 mm
lens; diopters	3,5
luminaire body	polyamide (PA)
weight (net)	2.1 kg (4.6 lb)
Power consumption	12 W
usage	keypad at luminaire head
balance of articulation joints	spring
class of protection	II
Accessory	roll support, rail fastening with removal protect table clamp with removal protection, universal fastening with removal protection, extension ar removal protection, wall bracket with removal protection
norms	EN 60601-1, EN 60601-2-41
special features	Rotary feedthrough (360° Turnover axis), scratch-proof plastic lens, continuously dimmal switchable Wood-Light
Fastening	Wall Mount, Extension Arm



## light distribution

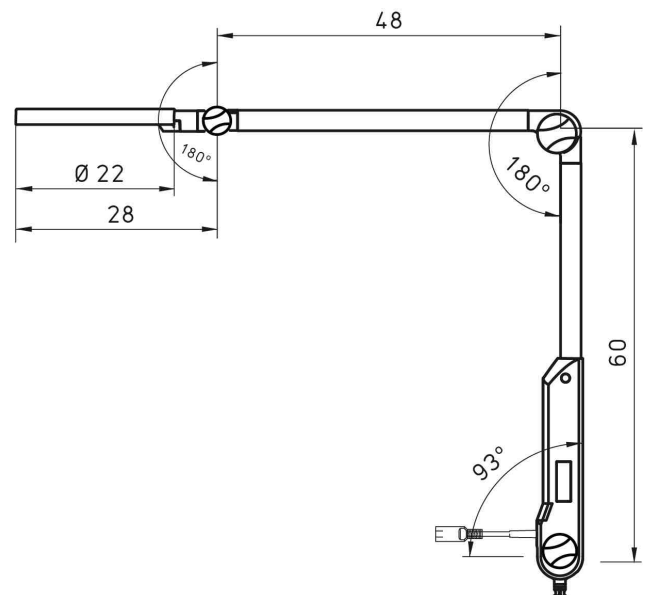
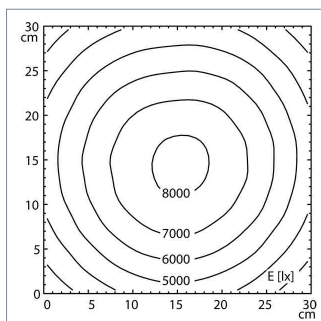
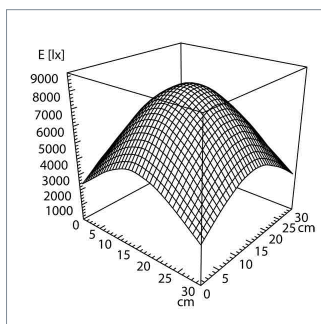




fitted with	LED - Energy efficiency category A+
color rendering index (CRI)	>95
colour temperatur	6500 K
work equipment	electronic converter
mains lead	1.8 m (5.9 ft) Hospital Grade plug
lens; dimensions	Ø 160 mm
lens; diopters	3,5
luminaire body	polyamide (PA)
weight (net)	2.1 kg (4.6 lb)
Power consumption	12 W
usage	keypad at luminaire head
balance of articulation joints	spring
class of protection	II
Accessory	roll support, rail fastening with removal protect table clamp with removal protection, universal fastening with removal protection, extension ar removal protection, wall bracket with removal protection
norms	EN 60601-1, EN 60601-2-41
special features	Rotary feedthrough (360° Turnover axis), scratch-proof plastic lens, continuously dimmal switchable Wood-Light
Fastening	Rail Mount



## light distribution





fitted with	LED - Energy efficiency category A+
color rendering index (CRI)	>95
colour temperature	6500 K
work equipment	electronic converter
mains lead	direct power supply
lens; dimensions	Ø 160 mm
lens; diopters	3,5
luminaire body	polyamide (PA)
weight (net)	9.1 kg (20 lb)
Power consumption	12 W
usage	keypad at luminaire head
balance of articulation joints	spring
class of protection	I
Accessory	adapter for suspended ceiling
norms	EN 60601-1, EN 60601-2-41
special features	Rotary feedthrough (360° Turnover axis), scratch-proof plastic lens, continuously dimmable switchable Wood-Light
Fastening	ceiling mount, ceiling tube can be cut to length (40-116cm)

**Derungs** **D**  
LIGHT FOR PEOPLE



## light distribution

