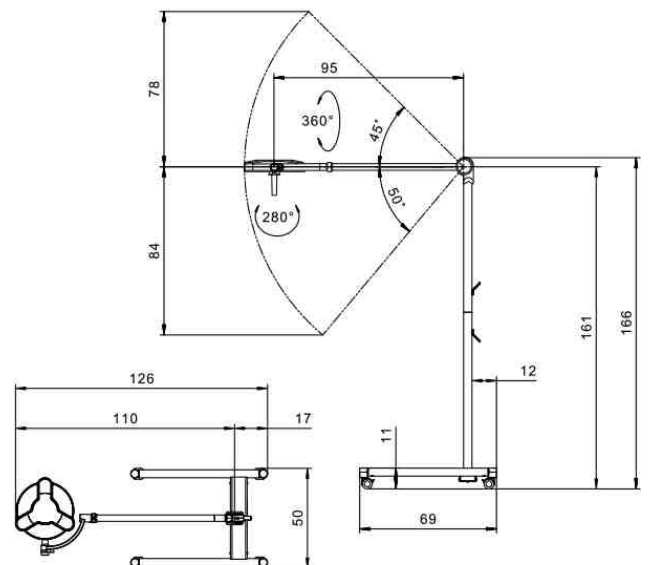
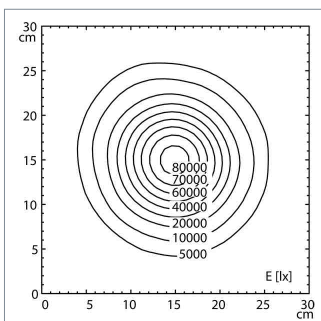
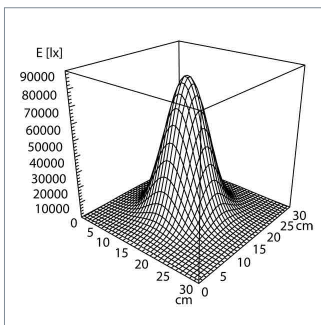




illuminancefield @ 100 cm	Ø 18 cm (7.1 in)
illuminance @ 100 cm	80 000 lx
color rendering index (CRI)	> 95
color temperature	4500 K
depth of illumination L1+L2	1.24 m (48.8 in)
work equipment	electronic converter
mains lead	3 m (9.8 ft) US-HG
luminaire body	polycarbonate & acrylonitrile butadiene styrene copolymer (PC & ABS)
weight (net)	20.0 kg (44.1 lbs)
power consumption	30 W
usage	rotary switch on the luminaire head single-pole secondary, continuously dimmable
balance of articulation joints	spring (weight compensation)
class of protection	I
accessory	sterilizable handle
norms	AAMI/IEC 60601-1; CAN/CSA-C22.2 60601-1 IEC 60601-2-41; CAN/CSA-C22.2 60601-2-41 AMD 1/IEC 60601-1-6; CAN/CSA-C22.2 60601-1-6
special features	sterilizable grip, continuously dimmable, maintenance free
fastening	roller stand
system of protection	IP 43
order number	D16135000 - pure white



light distribution

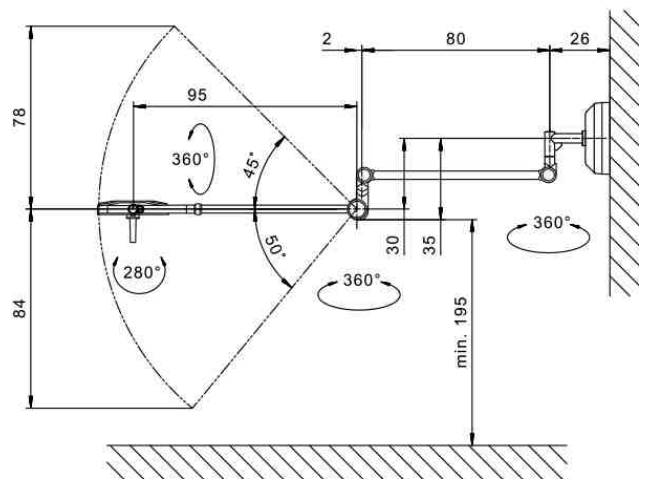
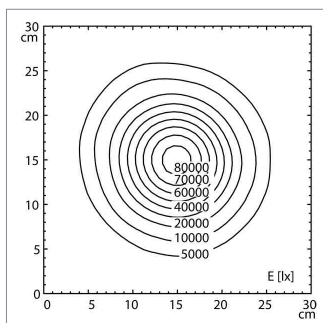
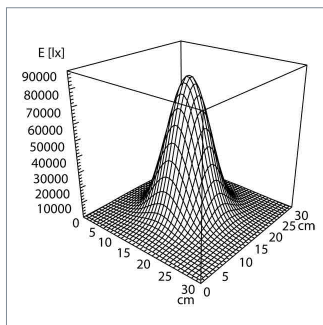




illuminancefield @ 100 cm	Ø 18 cm (7.1 in)
illuminance @ 100 cm	80 000 lx
color rendering index (CRI)	> 95
color temperature	4500 K
depth of illumination L1+L2	1.24 m (48.8 in)
work equipment	electronic converter
mains lead	direct power supply
luminaire body	polycarbonate & acrylonitrile butadiene styrene copolymer (PC & ABS)
weight (net)	13.5 kg (29.8 lbs)
power consumption	30 W
usage	rotary switch on the luminaire head single-pole secondary, continuously dimmable
balance of articulation joints	spring (weight compensation)
class of protection	I
accessory	sterilizable handle, adapter for suspended ceiling
norms	AAMI/IEC 60601-1; CAN/CSA-C22.2 60601-1 IEC 60601-2-41; CAN/CSA-C22.2 60601-2-41 AMD 1/IEC 60601-1-6; CAN/CSA-C22.2 60601-1-6
special features	sterilizable grip, continuously dimmable, maintenance free
fastening	wall mount
system of protection	IP 43
order number	D16139000 - pure white



light distribution





fitted with	LED - energy efficiency category A+ electronic converter
work equipment	100-240 V; 50/60 Hz
voltage	Ø 18 cm (7.1 in)
illuminancefield @ 100 cm	80 000 lx
illuminance @ 100 cm	> 95
color rendering index (CRI)	4500 K
color temperature	3 m (9.8 ft) US-HG
mains lead	polyamid (PA)
luminaire body	32 kg (70.5 lbs)
weight (net)	30 W
power consumption	rotary switch on the luminaire head
usage	spring (weight compensation)
balance of articulation joints	I
class of protection	sterilizable handle, handle cover
accessory	EN 60601-1, EN 60601-2-41
norms	sterilizable handle, continuously dimmable, diamond optics
special features	roller stand
fastening	IP 43 (luminaire head) IP 20 (UPSmed pack)
system of protection	I according to MDR
medical device class	1,200 cycles
battery cycle life up to 70%	NP17-12I Industrial VRLA battery
battery type	D16220000
order number	



light distribution

