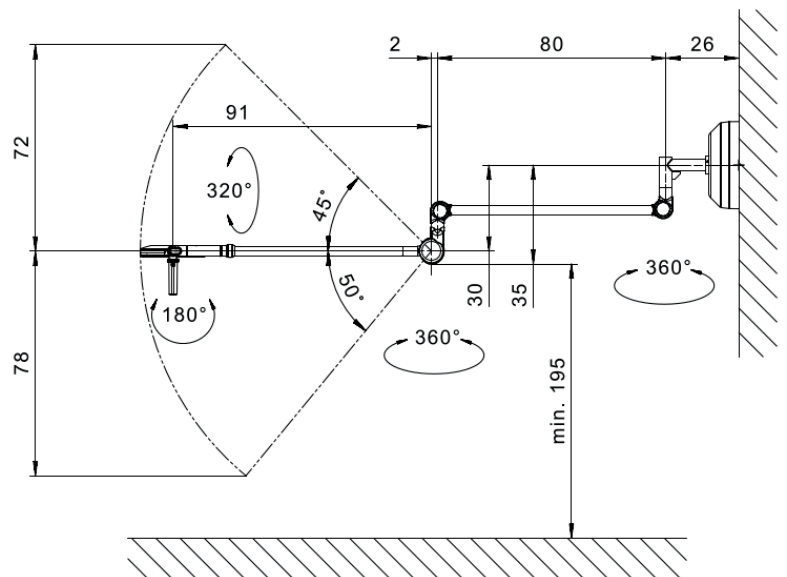
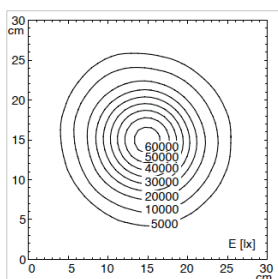
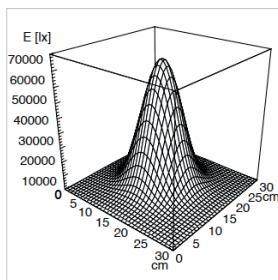




illuminancefield @ 100 cm	Ø 18 -25 cm (7.1 -9.8 in)
illuminance @ 100 cm	60 000 lx
color rendering index (CRI)	> 93
color temperature	4700 K
voltage	100-240 V; 50/60 Hz
work equipment	electronic converter
mains lead	direct power supply
luminaire body	polyamid (PA)
weight (net)	12.5 kg (27.6 lbs)
power consumption	< 30 W
usage	keypad at cardanic
balance of articulation joints	spring (weight compensation)
class of protection	I
accessory	sterilizable handle, handle cover
norms	EN 60601-1, EN 60601-2-41
special features	stepless dimmable, diamond optics
fastening	wall mount
system of protection	IP 43
medical device class	I according to MDR
order number	D16276000



light distribution

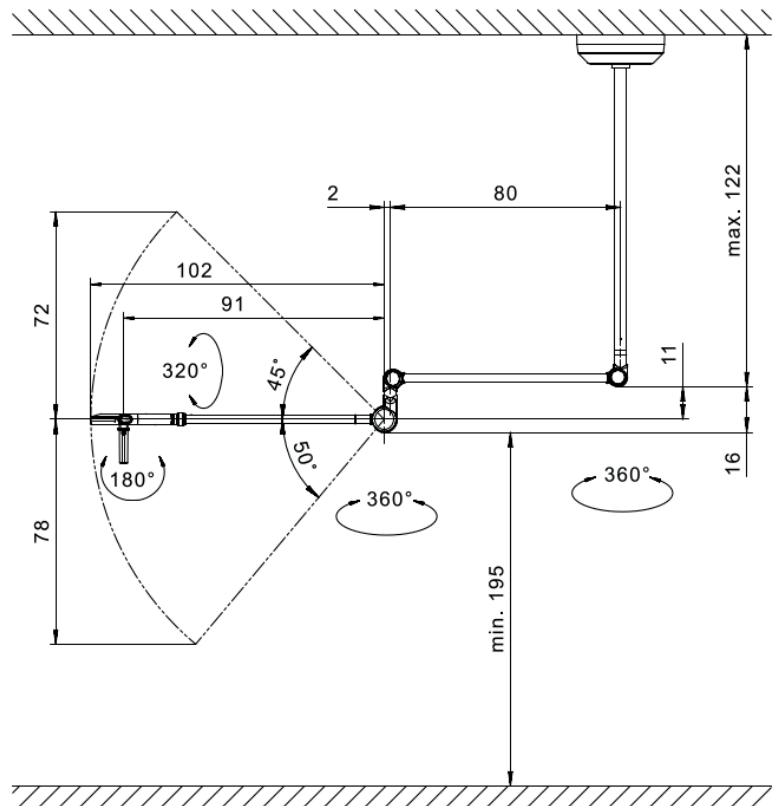
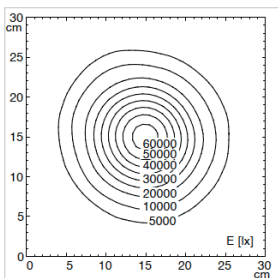
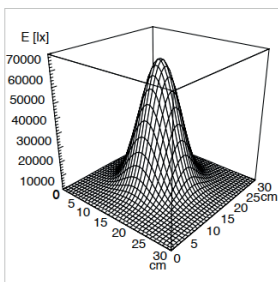




illuminancefield @ 100 cm	Ø 18 -25 cm (7.1 -9.8 in)
illuminance @ 100 cm	60 000 lx
color rendering index (CRI)	> 93
color temperature	4700 K
voltage	100-240 V; 50/60 Hz
work equipment	electronic converter
mains lead	direct power supply
luminaire body	polyamid (PA)
weight (net)	13.0 kg (28.7 lbs)
power consumption	< 30 W
usage	keypad at cardanic
balance of articulation joints	spring (weight compensation)
class of protection	I
accessory	sterilizable handle, handle cover, adapter for suspended ceiling
norms	EN 60601-1, EN 60601-2-41
special features	stepless dimmable, diamond optics
fastening	ceiling mount, when mounting ceiling tube could be cut to length 25-120 cm (9.8-47.2 in)
system of protection	IP 43
medical device class	I according to MDR
order number	D16255000



light distribution





illuminancefield @ 100 cm	Ø 18 - 25 cm (7.1 - 9.8 in)
illuminance @ 100 cm	60 000 lx
color rendering index (CRI)	> 93
color temperature	4700 K
voltage	100-240 V; 50/60 Hz
work equipment	electronic converter
mains lead	direct power supply
luminaire body	polyamid (PA)
weight (net)	19 kg (41.9 lbs)
power consumption	< 30 W
usage	keypad at cardanic
balance of articulation joints	spring (weight compensation)
class of protection	I
accessory	sterilizable handle, handle cover
norms	EN 60601-1, EN 60601-2-41
special features	stepless dimmable, diamond optics
fastening	roller stand
system of protection	IP 43
medical device class	I according to MDR
order number	D16267000



light distribution

