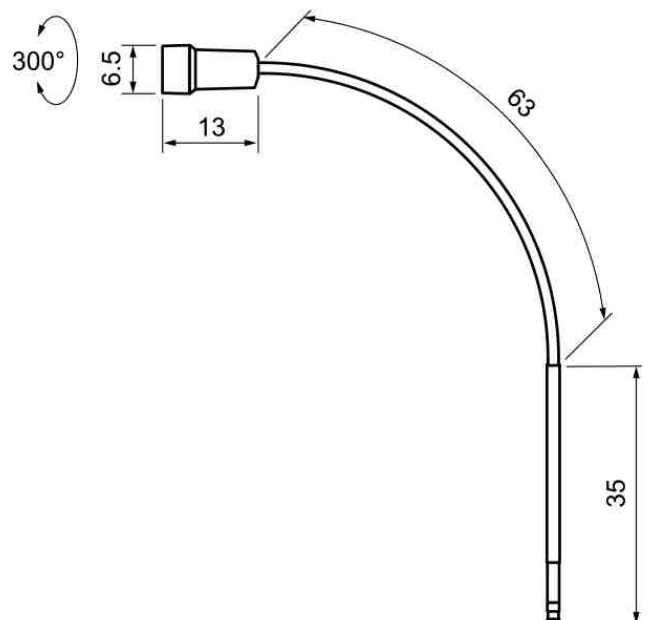
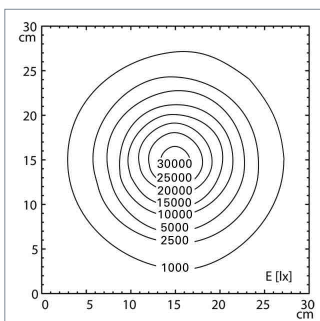
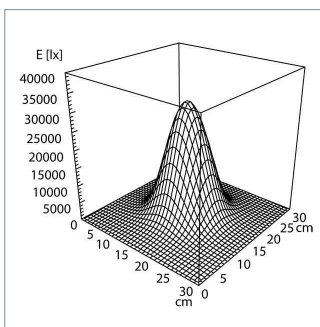


**Examination Luminaire**  
**HALUX N30-1 P SH**  
 # D15991100



<b>fitted with</b>	LED module - energy efficiency category A+
<b>illuminance field @ 50cm</b>	Ø 18cm
<b>illuminance @ 50cm</b>	30,000lx
<b>color rendering index (CRI)</b>	> 93
<b>color temperature</b>	4400K
<b>work equipment</b>	electronic plug-in transformer
<b>mains lead</b>	approx. 5.6ft (1.7m)
<b>luminaire body</b>	polycarbonate & acrylonitrile butadiene styrene copolymer (PC & ABS)
<b>weight (net)</b>	approx. 2.9lbs (1.3kg)
<b>power consumption</b>	8W
<b>usage</b>	keypad at luminaire head
<b>balance of articulation joints</b>	friction
<b>class of protection</b>	II
<b>accessory</b>	roll support, rail fastening with removal protection, table clamp with removal protection, universal fastening with removal protection, extension arm with removal protection, wall bracket with removal protection
<b>norms</b>	EN 60601-1; EN 60601-2-41
<b>special features</b>	continuously dimmable, maintenance free
<b>fastening</b>	fastening pin (Ø 16mm)
<b>mounting included</b>	table clamp
<b>order number</b>	D15991100 - pure white

light distribution

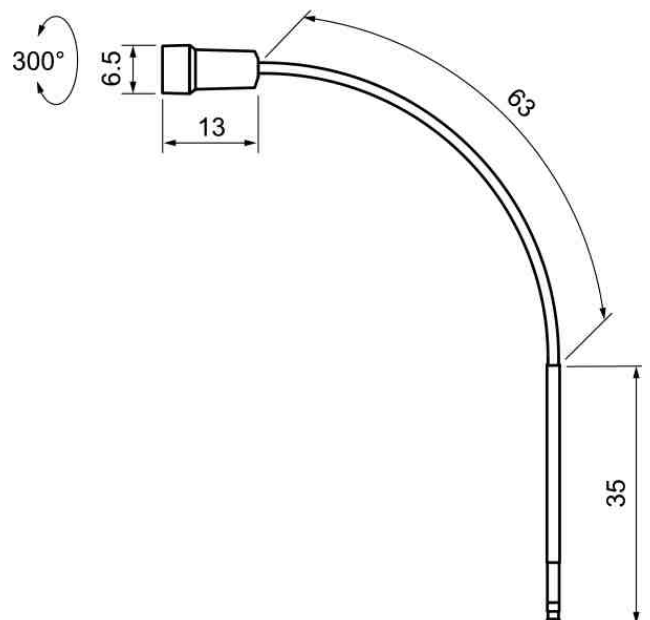
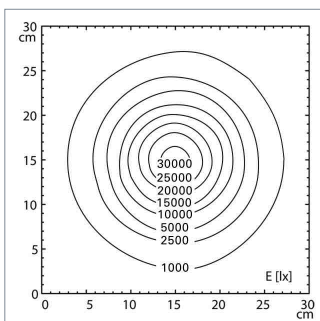
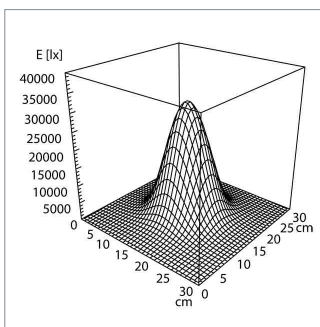


**Examination Luminaire**  
**HALUX N30-1 P SH**  
 # D15991110



<b>fitted with</b>	LED module - energy efficiency category A+
<b>illumination field @ 50cm</b>	Ø 18cm
<b>illumination @ 50cm</b>	30,000lx
<b>color rendering index (CRI)</b>	> 93
<b>color temperature</b>	4400K
<b>work equipment</b>	electronic plug-in transformer
<b>mains lead</b>	approx. 5.6ft (1.7m)
<b>luminaire body</b>	polycarbonate & acrylonitrile butadiene styrene copolymer (PC & ABS)
<b>weight (net)</b>	approx. 2.9lbs (1.3kg)
<b>power consumption</b>	8W
<b>usage</b>	keypad at luminaire head
<b>balance of articulation joints</b>	friction
<b>class of protection</b>	II
<b>accessory</b>	roll support, rail fastening with removal protection, table clamp with removal protection, universal fastening with removal protection, extension arm with removal protection, wall bracket with removal protection
<b>norms</b>	EN 60601-1; EN 60601-2-41
<b>special features</b>	continuously dimmable, maintenance free
<b>fastening</b>	fastening pin (Ø 16mm)
<b>mounting included</b>	floorstand
<b>order number</b>	D15991110 - pure white

light distribution

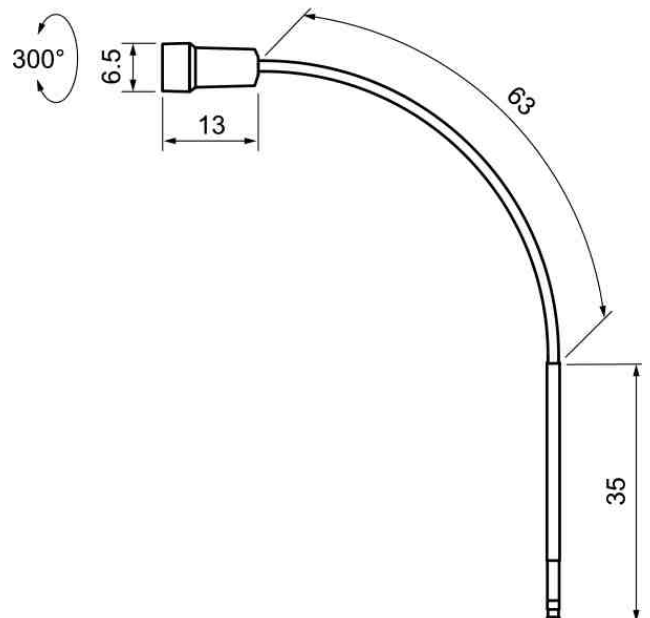
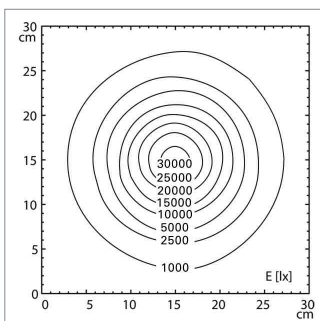
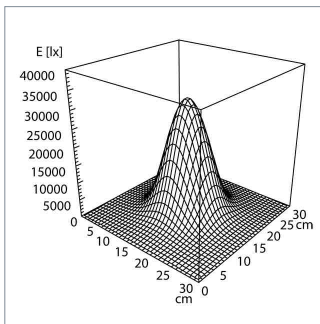


**Examination Luminaire**  
**HALUX N30-1 P SH**  
 # D15991120



<b>fitted with</b>	LED module - energy efficiency category A+
<b>illumination field @ 50cm</b>	Ø 18cm
<b>illumination @ 50cm</b>	30,000lx
<b>color rendering index (CRI)</b>	> 93
<b>color temperature</b>	4400K
<b>work equipment</b>	electronic plug-in transformer
<b>mains lead</b>	approx. 5.6ft (1.7m)
<b>luminaire body</b>	polycarbonate & acrylonitrile butadiene styrene copolymer (PC & ABS)
<b>weight (net)</b>	approx. 2.9lbs (1.3kg)
<b>power consumption</b>	8W
<b>usage</b>	keypad at luminaire head
<b>balance of articulation joints</b>	friction
<b>class of protection</b>	II
<b>accessory</b>	roll support, rail fastening with removal protection, table clamp with removal protection, universal fastening with removal protection, extension arm with removal protection, wall bracket with removal protection
<b>norms</b>	EN 60601-1; EN 60601-2-41
<b>special features</b>	continuously dimmable, maintenance free
<b>fastening</b>	fastening pin (Ø 16mm)
<b>mounting included</b>	wall mount
<b>order number</b>	D15991120 - pure white

light distribution

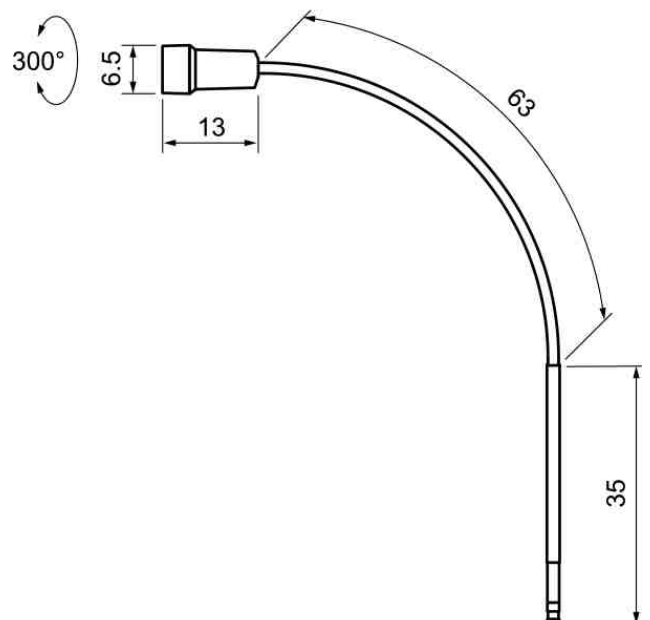
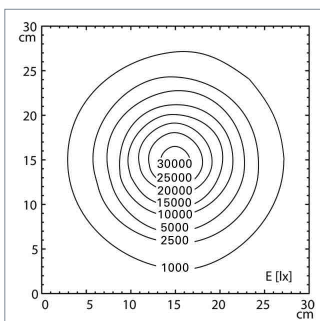
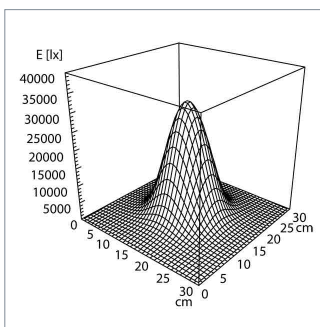


**Examination Luminaire**  
**HALUX N30-1 P SH**  
 # D15991130



<b>fitted with</b>	LED module - energy efficiency category A+
<b>illuminance field @ 50cm</b>	Ø 18cm
<b>illuminance @ 50cm</b>	30,000lx
<b>color rendering index (CRI)</b>	> 93
<b>color temperature</b>	4400K
<b>work equipment</b>	electronic plug-in transformer
<b>mains lead</b>	approx. 5.6ft (1.7m)
<b>luminaire body</b>	polycarbonate & acrylonitrile butadiene styrene copolymer (PC & ABS)
<b>weight (net)</b>	approx. 2.9lbs (1.3kg)
<b>power consumption</b>	8W
<b>usage</b>	keypad at luminaire head
<b>balance of articulation joints</b>	friction
<b>class of protection</b>	II
<b>accessory</b>	roll support, rail fastening with removal protection, table clamp with removal protection, universal fastening with removal protection, extension arm with removal protection, wall bracket with removal protection
<b>norms</b>	EN 60601-1; EN 60601-2-41
<b>special features</b>	continuously dimmable, maintenance free
<b>fastening</b>	fastening pin (Ø 16mm)
<b>mounting included</b>	wall mount, extended arm
<b>order number</b>	D15991130 - pure white

light distribution



# Examination Luminaire HALUX N30-1 P SH

# D15991150

# Waldmann **W**

ENGINEER OF LIGHT.



**Derungs** **D**  
LIGHT FOR PEOPLE

<b>fitted with</b>	LED module - energy efficiency category A+
<b>illuminance field @ 50cm</b>	Ø 18cm
<b>illuminance @ 50cm</b>	30,000lx
<b>color rendering index (CRI)</b>	> 93
<b>color temperature</b>	4400K
<b>work equipment</b>	electronic plug-in transformer
<b>mains lead</b>	approx. 5.6ft (1.7m)
<b>luminaire body</b>	polycarbonate & acrylonitrile butadiene styrene copolymer (PC & ABS)
<b>weight (net)</b>	approx. 2.9lbs (1.3kg)
<b>power consumption</b>	8W
<b>usage</b>	keypad at luminaire head
<b>balance of articulation joints</b>	friction
<b>class of protection</b>	II
<b>accessory</b>	roll support, rail fastening with removal protection, table clamp with removal protection, universal fastening with removal protection, extension arm with removal protection, wall bracket with removal protection
<b>norms</b>	EN 60601-1; EN 60601-2-41
<b>special features</b>	continuously dimmable, maintenance free
<b>fastening</b>	fastening pin (Ø 16mm)
<b>mounting included</b>	rail mount
<b>order number</b>	D15991150 - pure white

## light distribution

