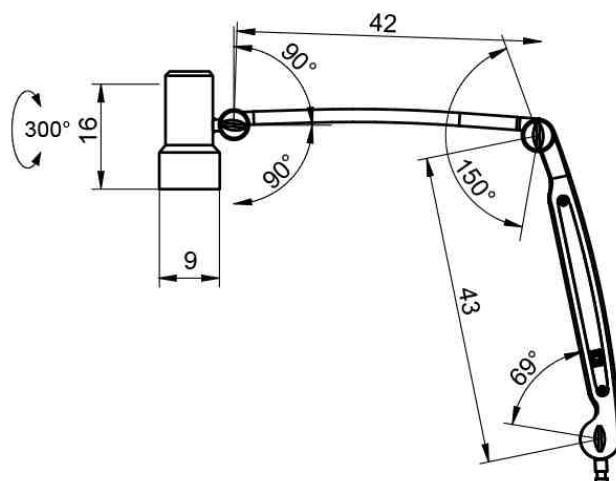
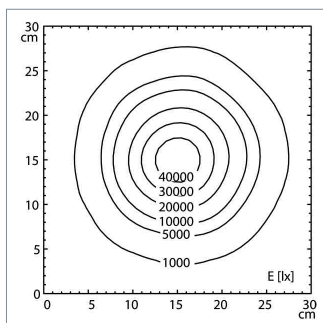
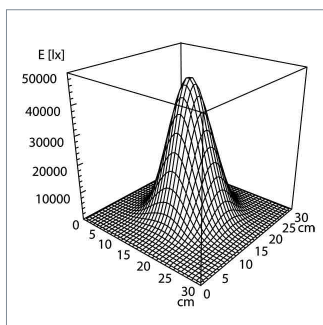




fitted with	LED module - Energy efficiency category A+
Illuminancefield @ 50 cm	Ø 18 cm (7 in)
illuminance @ 50 cm	50 000 lx
color rendering index (CRI)	> 93
color temperatur	4400 K
work equipment	electronic converter
mains lead	1.8 m (70.86 in)
luminaire body	polycarbonate & acrylonitrile butadiene styrene copolymer (PC & ABS)
weight (net)	1.3 kg (2.86 lb)
Power consumption	13 W
usage	rocker switch (I/O) at the arm
balance of articulation joints	spring
class of protection	II
norms	EN 60601-1, EN 60601-2-41
special features	switchable, maintenance free
Fastening	Fastening pin (Ø 16mm)
included accessory	table clamp



light distribution

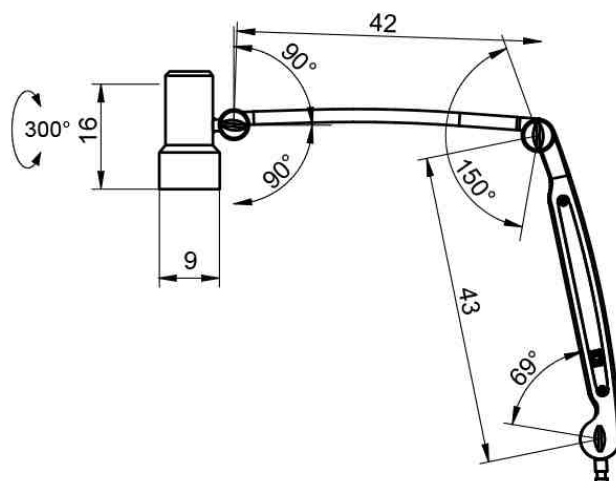
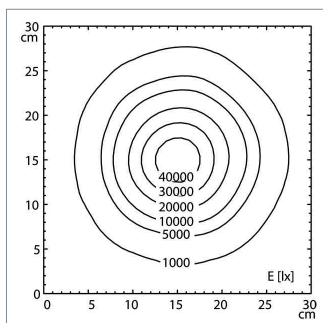
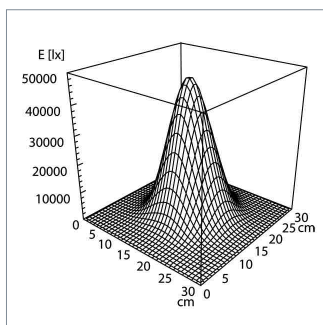




fitted with	LED module - Energy efficiency category A+
Illuminancefield @ 50 cm	Ø 18 cm (7 in)
illuminance @ 50 cm	50 000 lx
color rendering index (CRI)	> 93
color temperatur	4400 K
work equipment	electronic converter
mains lead	1.8 m (70.86 in)
luminaire body	polycarbonate & acrylonitrile butadiene styrene copolymer (PC & ABS)
weight (net)	1.3 kg (2.86 lb)
Power consumption	13 W
usage	rocker switch (I/O) at the arm
balance of articulation joints	spring
class of protection	II
norms	EN 60601-1, EN 60601-2-41
special features	switchable, maintenance free
Fastening	Fastening pin (Ø 16mm)
included accessory	floorstand



light distribution

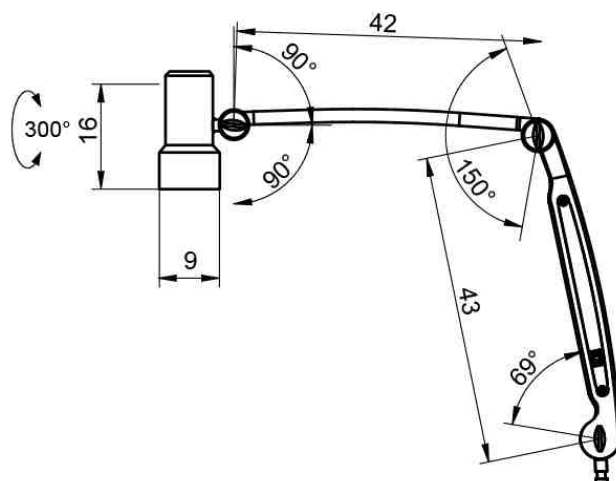
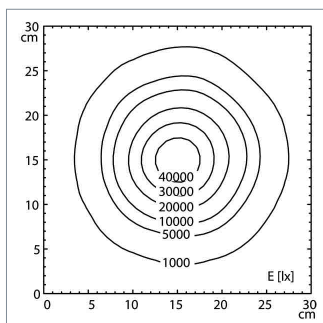
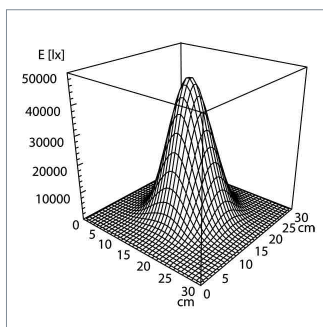




fitted with	LED module - Energy efficiency category A+
Illuminancefield @ 50 cm	Ø 18 cm (7 in)
illuminance @ 50 cm	50 000 lx
color rendering index (CRI)	> 93
color temperatur	4400 K
work equipment	electronic converter
mains lead	1.8 m (70.86 in)
luminaire body	polycarbonate & acrylonitrile butadiene styrene copolymer (PC & ABS)
weight (net)	1.3 kg (2.86 lb)
Power consumption	13 W
usage	rocker switch (I/O) at the arm
balance of articulation joints	spring
class of protection	II
norms	EN 60601-1, EN 60601-2-41
special features	switchable, maintenance free
Fastening	Fastening pin (Ø 16mm)
included accessory	wall mount



light distribution

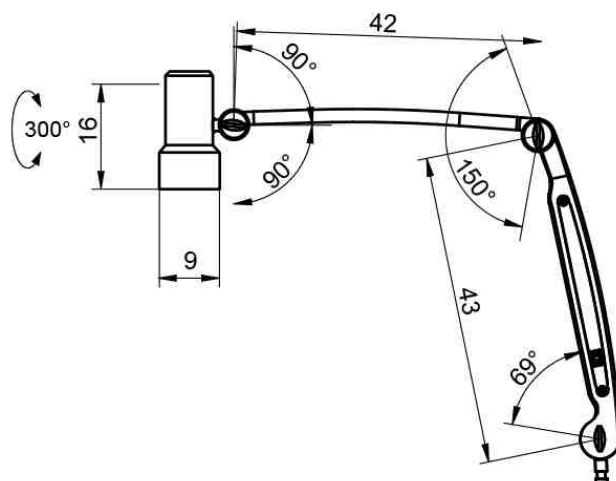
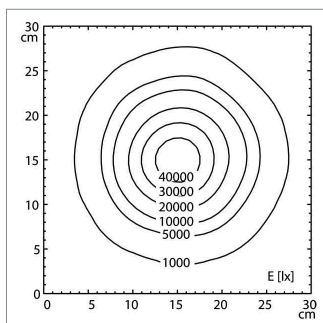
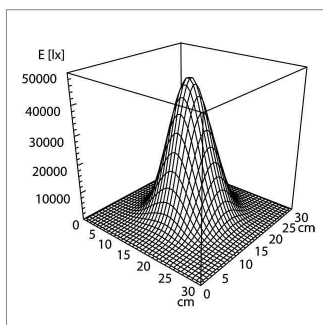




fitted with	LED module - Energy efficiency category A+
Illuminancefield @ 50 cm	Ø 18 cm (7 in)
illuminance @ 50 cm	50 000 lx
color rendering index (CRI)	> 93
color temperatur	4400 K
work equipment	electronic converter
mains lead	1.8 m (70.86 in)
luminaire body	polycarbonate & acrylonitrile butadiene styrene copolymer (PC & ABS)
weight (net)	1.3 kg (2.86 lb)
Power consumption	13 W
usage	rocker switch (I/O) at the arm
balance of articulation joints	spring
class of protection	II
norms	EN 60601-1, EN 60601-2-41
special features	switchable, maintenance free
Fastening	Fastening pin (Ø 16mm)
included accessory	wall mount with extension arm



light distribution





fitted with	LED module - Energy efficiency category A+
Illuminancefield @ 50 cm	Ø 18 cm (7 in)
illuminance @ 50 cm	50 000 lx
color rendering index (CRI)	> 93
color temperatur	4400 K
work equipment	electronic converter
mains lead	1.8 m (70.86 in)
luminaire body	polycarbonate & acrylonitrile butadiene styrene copolymer (PC & ABS)
weight (net)	1.3 kg (2.86 lb)
Power consumption	13 W
usage	rocker switch (I/O) at the arm
balance of articulation joints	spring
class of protection	II
norms	EN 60601-1, EN 60601-2-41
special features	switchable, maintenance free
Fastening	Fastening pin (Ø 16mm)
included accessory	rail clamp



light distribution

