



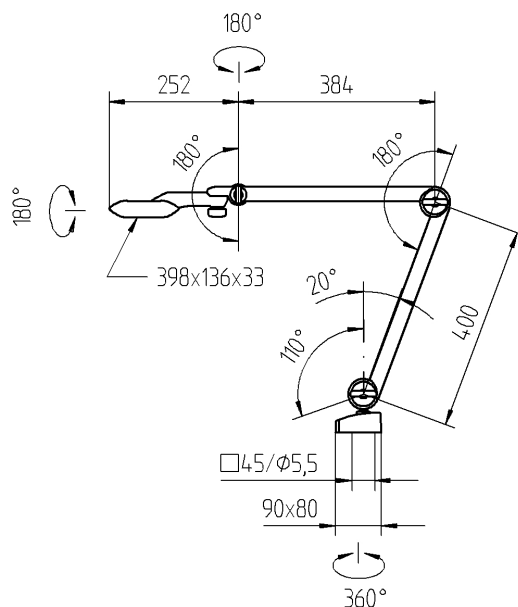
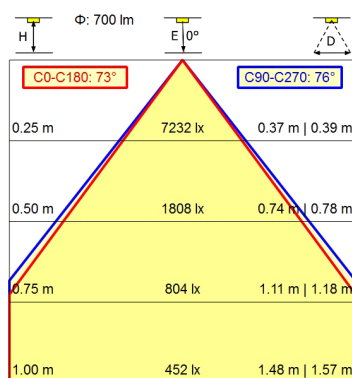
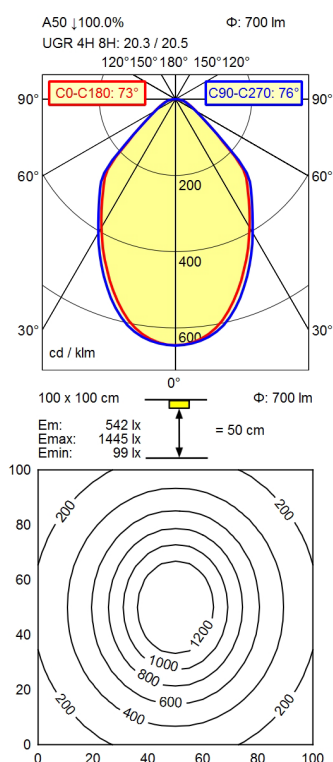
light source
work equipment
connected load
power consumption
luminous flux
luminous efficiency
light color
color temperature
color rendering index (CRI)
light distribution
direct ratio
beam angle
chromaticity tolerance LED
luminance (L65)
unified glare rating (4H 8H)
system of protection
class of protection

technology
operation
housing
cover
arm
balance of articulation joints
weight (net)
mains lead
fastening
decorative contrast side parts

LED
electronic ballast
100-240V, 50/60Hz, secondary 24V DC
approx. 12W
approx. 700 lm
approx. 70 lm/W
cold white
approx. 4,000K
CRI > 90; R9 > 50
direct
approx. 100%
75°
< 3 SDCM
<= 12,000 cd/m²
<= 25
IP 20
II with plug-in power supply:
III without plug-in power supply

touch DIM
multi-function switch
aluminum colored anodized
structured; plastic
silver metallic
spring
approx. 4.4 lb (2.0 kg)
approx. 9.8 ft (3.0m)
table base
black

light distribution





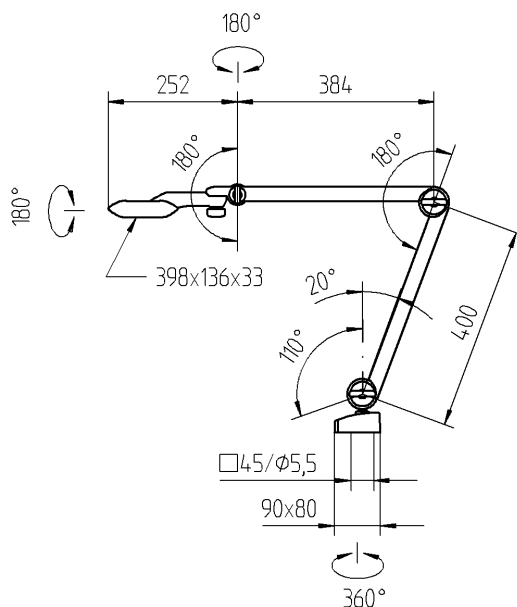
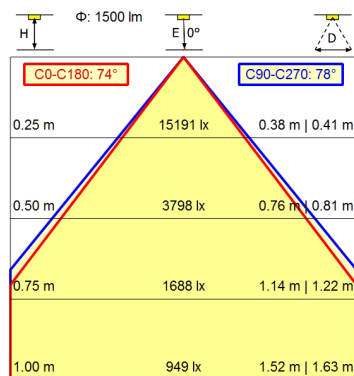
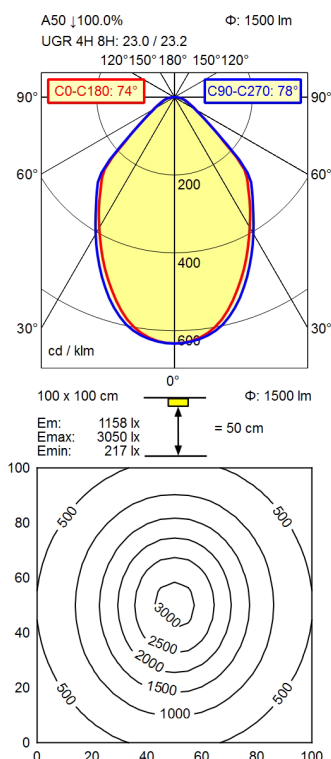
light source
work equipment
connected load
power consumption
luminous flux
luminous efficiency
light color
color temperature
color rendering index (CRI)
light distribution
direct ratio
beam angle
chromaticity tolerance LED
luminance (L65)
unified glare rating (4H 8H)
system of protection
class of protection

technology
operation
housing
cover
arm
balance of articulation joints
weight (net)
mains lead
fastening
decorative contrast side parts

LED
electronic ballast
100-240V, 50/60Hz, secondary 24V DC
approx. 23W
approx. 1,500 lm
approx. 79 lm/W
cold white
approx. 4,000K
CRI > 90; R9 > 50
direct
approx. 100%
75°
< 3 SDCM
<= 12,000 cd/m²
<= 25
IP 20
I with plug-in power supply;
III without plug-in power supply

touch DIM
multi-function switch
aluminum colored anodized
structured; plastic
silver metallic
spring
approx. 4.2 lb (1.9 kg)
approx. 11.1 ft (3.4m)
table base
black

light distribution





light source
work equipment
connected load
power consumption
luminous flux
luminous efficiency
light color
color temperature
color rendering index (CRI)
light distribution
direct ratio
beam angle
chromaticity tolerance LED
luminance (L65)
unified glare rating (4H 8H)
system of protection
class of protection

technology
operation
housing
cover
arm
balance of articulation joints
weight (net)
mains lead
fastening
decorative contrast side parts

LED
electronic ballast
100-240V, 50/60Hz, secondary 24V DC
approx. 30W
approx. 2,300 lm
approx. 88 lm/W
cold white
approx. 4,000K
CRI > 90; R9 > 50
direct
approx. 100%
75°
< 3 SDCM
<= 12,000 cd/m²
<= 25
IP 20
I with plug-in power supply;
III without plug-in power supply

touch DIM
multi-function switch
aluminum colored anodized
structured; plastic
silver metallic
spring
approx. 5.1 lb (2.3 kg)
approx. 11.1 ft (3.4m)
table base
black

light distribution

