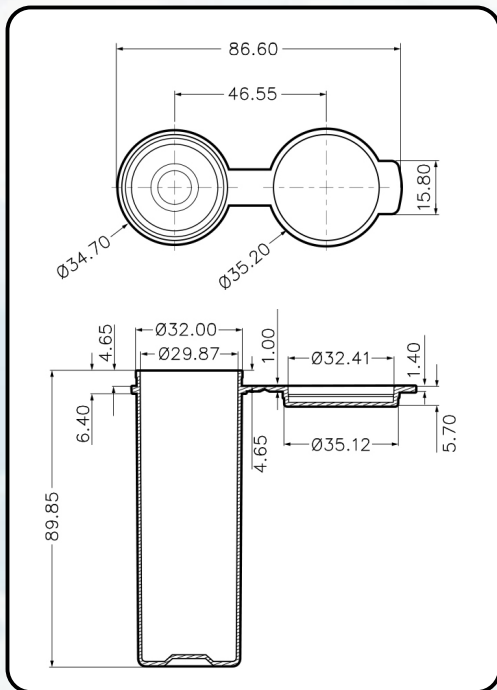


# 50mL Flip Top Vial

## Self-Standing Digestion Tube

- Self-Standing, flat bottom
- Attached caps
- Molded graduations
- Sterile Bags of 25 - 500 per case



These new flat bottomed vials are made of natural polypropylene. They feature a one-piece design that includes an integral hinged cap and can be used in digestion equipment / protocols.

Tubes are supplied in sterile use-packs of 25 pieces, 500 per case.

Specifications	
Temperature Range:	-80°C - 100°C
Materials:	Polypropylene
Autoclavable:	121°C for 15 Minutes
Dimensions:	50mL, 32×90mm

CAT. NO.	DESCRIPTION	QTY
T0050	Flip Top Vial / Digestion Tube, 50mL, 32×90mm, Sterile, 20 Bags of 25	500