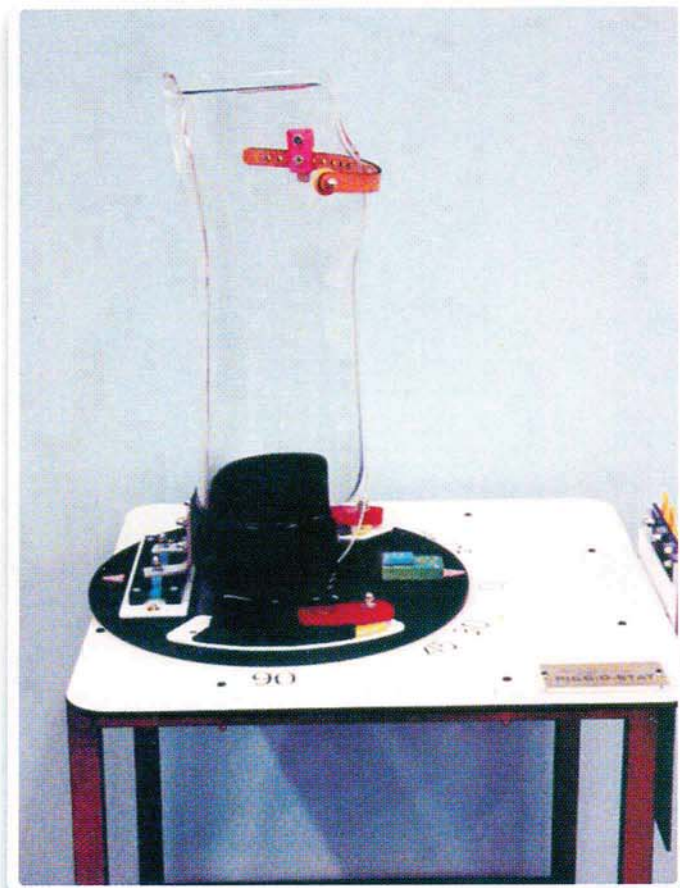


# PIGG-O-STAT®

## IMMOBILIZER & POSITIONER



**ORIGINAL ANALOG PIGG-O-STAT®**  
Sold worldwide since 1961  
Patent # 5,600,702

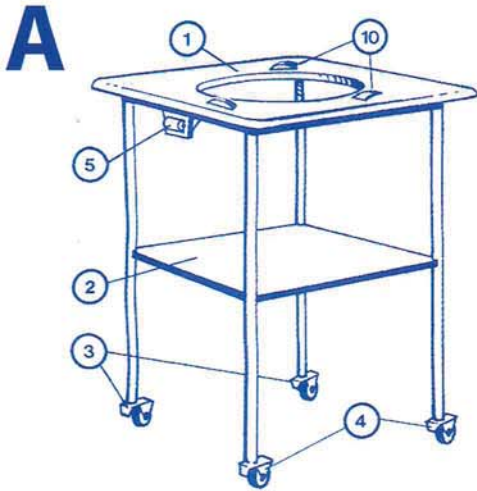


**DIGITAL PIGG-O-STAT®**  
For use with digital x-ray unit (DR) only

*Please note: ORIGINAL ANALOG PIGG-O-STAT® can be modified to be used with the digital cassette (CR).*

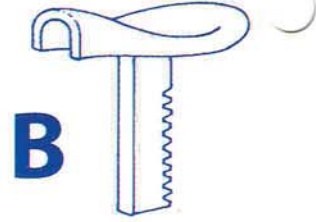
## **PARTS LIST and OPERATING INSTRUCTIONS**

# PARTS LIST FOR PIGG-O-STAT® IMMOBILIZER



**AL1C Pigg-O-Stat - Complete**  
**AL2D Pigg-O-Stat - Complete (digital)**  
**A TABLE - only S.S.**

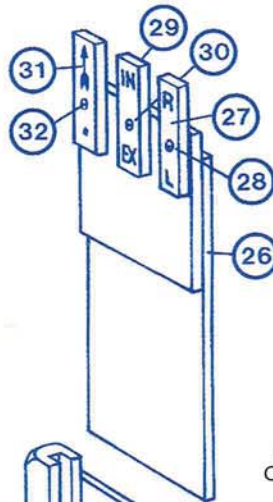
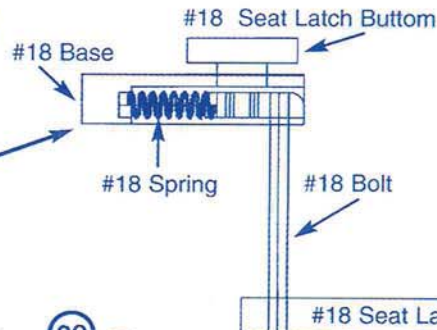
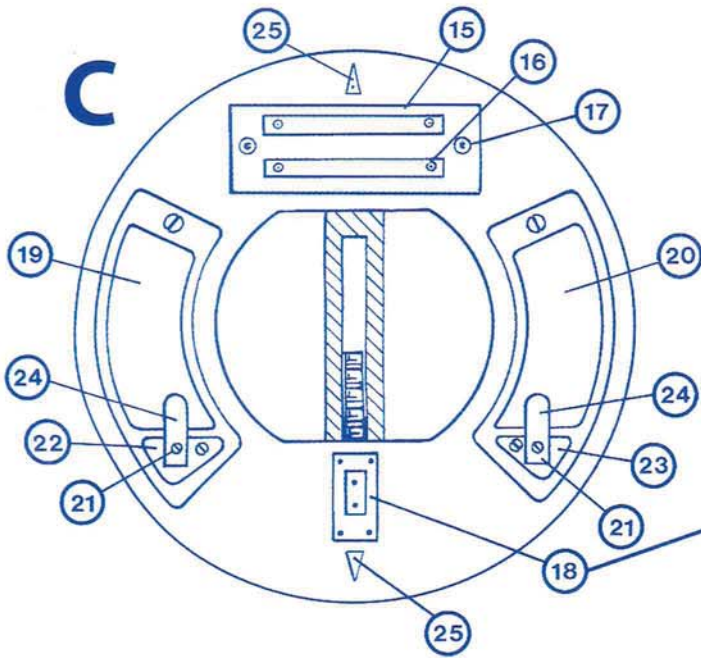
1. Table Top
2. Shelf
3. Casters, non-locking – 2
4. Casters, locking – 2
5. Roller (pressure for shield)
- 6.-9. (discontinued)
10. Bearing for turntable – 3



**B SEAT ASSEMBLY**  
 Complete only

**C TURNTABLE - Complete**  
**C1 TURNTABLE - no hardware**

15. Base of Track
16. Brass Screws for Track – 4
17. Catches at End of track – 2
18. Seat Latch complete
- P18. Seat & Latch Pin
19. Support Glide Strip, left
20. Support Glide Strip, right
21. Latch Studs – 2 with nuts
22. Latch Base, left
23. Latch Base, right
24. Latches, fit either side – 2



**D SHIELD**  
 SHIELD COMPLETE

**D SHIELD**  
 Complete with Markers

26. Shield, without markers
27. L and R on Bar
28. Machine Screw with nuts
29. IN-EX on Bar
30. Machine Screw with nuts
31. Arrow on Bar
32. Machine Screw, for 31 above



**E SHIELD BRACKET**

**E BRACKET FOR SHIELD**  
 Complete only

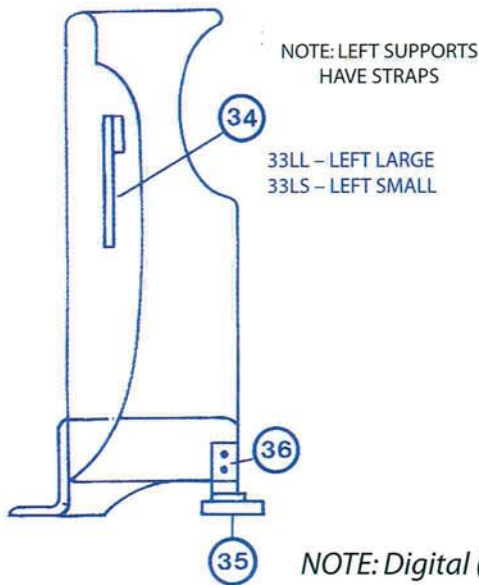
**F**

Left

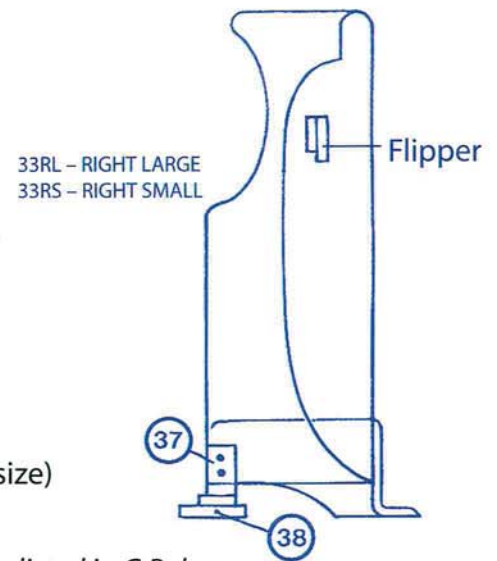
Large Strap 11", Small Strap 9",  
Small Supports have a black rubber strip on top (state size)

**F**

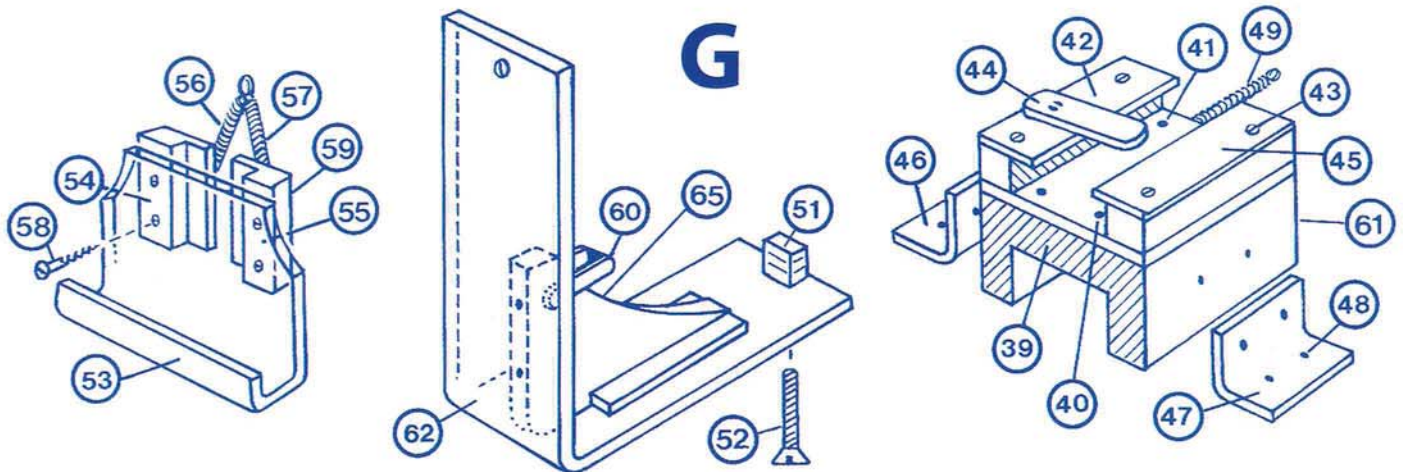
Right

**F SUPPORTS**

- 33. Left, large, with strap
- 33. Left, small, with strap
- 33. Right, large
- 33. Right, small
- 34. Strap, large or small (state size)
- 35. Foot with machine screws and nuts, large or small (state size)
- 36. Foot Support, large, fits right or left foot.
- 37. Foot Support, small, fits right or left foot.
- 38. Foot only, large or small (state size)



*NOTE: Digital (DR) Pigg-O-Stat uses none of the parts listed in G Below.*

**G CASSETTE CARRIER - Complete**

- 39. Base with plate and bearings
- 40. Plate with bearings - 4
- 41. Bearings - 4
- 42. Left Track
- 43. Screws
- 44. Latch with 2 machine screws
- 45. Right Track
- 46. Left Bracket
- 47. Right Bracket
- 48. Brass Screws - 4 each Bracket
- 49. Advance Spring
- 50. (discontinued)
- 51. Cassette Holder Advance Knob
- 52. Machine Screw, brass
- 53. Cassette Holder
- 54. Left Track, has adjustment screws
- 55. Right Track
- 56. Spring, Left
- 57. Spring, Right
- 58. Track Screws, brass, -- 4
- 59. Spring Screws - 2 for springs
- 60. Latch
- 61. Back Cover (not shown)
- 62. L Angle, complete only
- 63. Turn Table Latch - 4 (not shown)
- 64. Inserts for Casters - 4 (not shown)
- 65. Bullet Catch

# PIGG-O-STAT<sup>®</sup>

## IMMOBILIZER & POSITIONER

### INSTRUCTIONS FOR OPERATION

1. As is true of any new equipment, you will find its operation simple and easy to use after a little experience. It is therefore suggested that your first few x-ray examinations be on children in the age group of 12 to 18 months using large supports.
2. First of all, set technique controls, position tube and select proper film size, while all the child's clothes except diaper are being removed.
3. Open the supports on the immobilizer (as a book). Keep seat as low as possible and yet have child's mouth up to a level of opening in front of supports.
4. Place child on seat, instruct someone to hold child's arms in a vertical position touching ears and firmly immobilizing head between arms. The technician will then adjust supports firmly against the child and fasten locks on bases and leather straps at top of supports. Readjust child if not in absolute erect position.
5. Always have patient well immobilized before permitting assistance to turn loose of arms and head.
6. Avoid using devices for patients who are too large.
7. Adjust film to proper height and in contact with supports; also, adjust lead shield and markers.
8. For barium studies, place small plastic sponge under child's chin to prevent barium from spilling inside supports.
9. Your technical factors will be changed very little by use of supports.

### CARE OF IMMOBILIZER

1. Even though this equipment is very durable and will withstand many times the required stress for proper use (as proven in extensive use and tests) precaution, however, should be taken against hard blows or dropping the supports.
2. Equipment may be sterilized with Zephiran Chloride.

Plexiglass parts may be cleaned with soap and water using a soft sponge or cloth; rinse with clear water.

A few drops of oil may be used on moving parts.

U.S. PATENT NO. 5,600,702 • **MADE IN USA**