

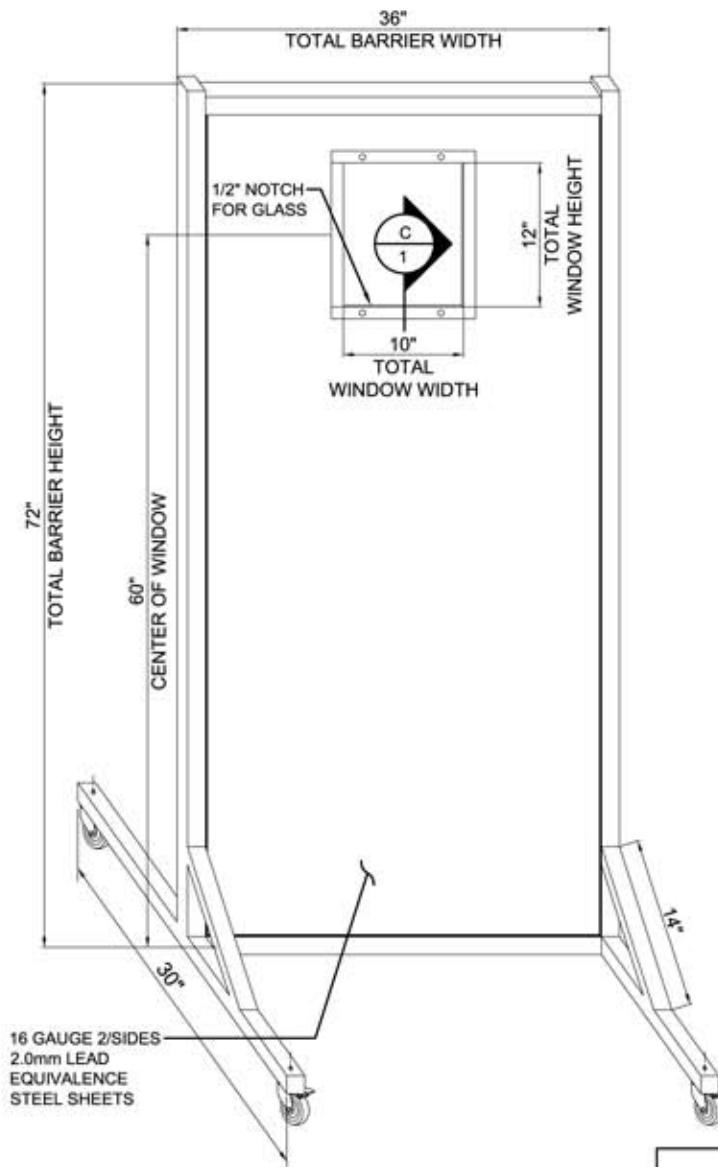
NOTES:

MATERIAL:
STEEL WITH 2.0mm LEAD
EQUIVALENCE

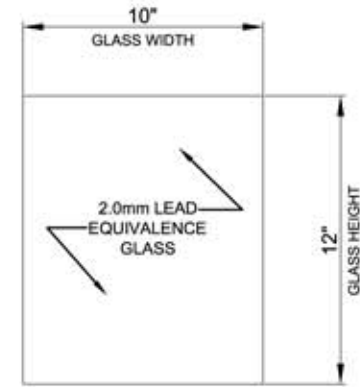
PAD PRINT COLOR:
2.0mm LEAD
EQUIVALENCE GLASS

FRAME COLOR:
TAN

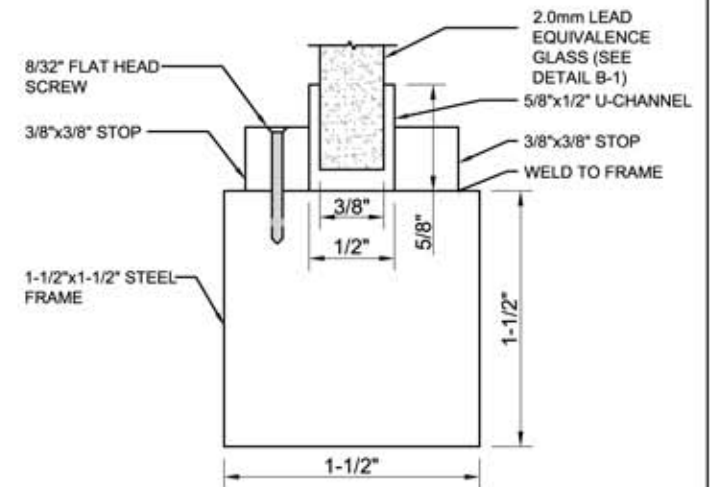
NOT TO SCALE



(A) BARRIER ELEVATION
1



(B) GLASS ELEVATION
1



(C) SECTION AT FRAME
1

DWG No.	LB-3672	Rev.
P/N:	LB-3672	
DESC.	Opaque Mobile Leaded Barrier 36 in. x 72 in	