

Instruction Sheet

Computer Security Cart #350760

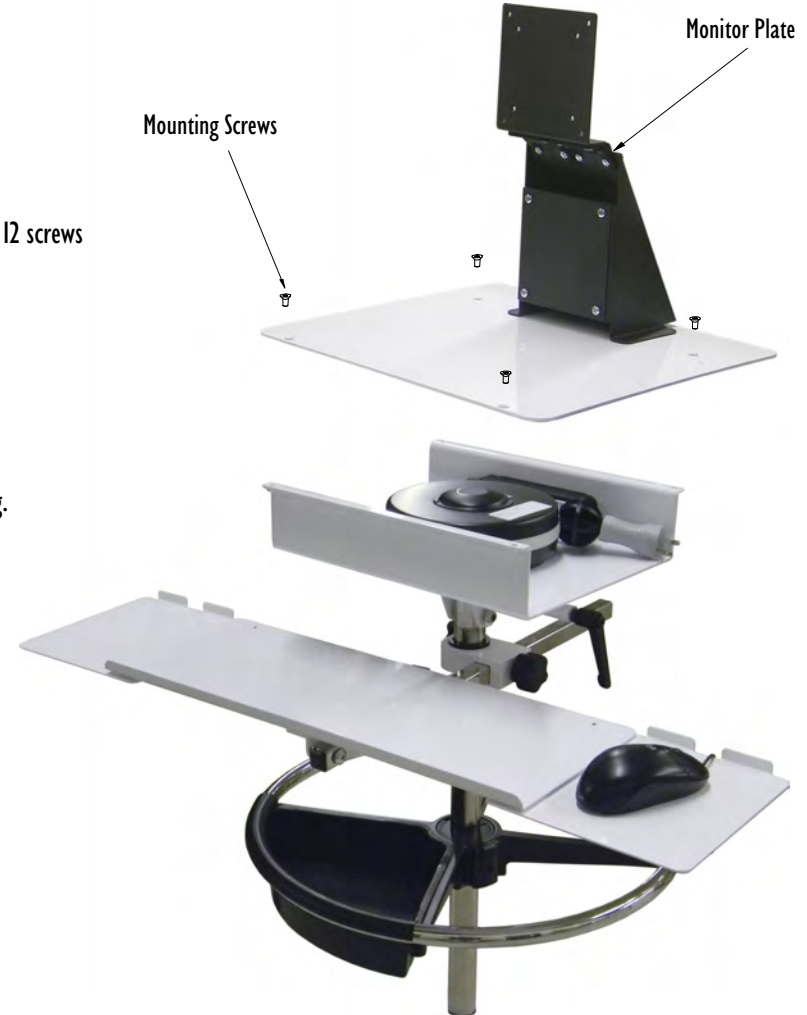
- 1) The basket should contain:
(4) 10-32 x 3/8 Countersunk Head Screws - (4 sets) Dual Lock Mounting Tape (1) Poly Tray - (4) 4 x 12 screws
- 2) Cut the straps holding the basket to the center column of the cart and remove the basket.
- 3) Remove and unwrap the Monitor Plate Head Assembly.
- 4) With a second person, grasp the cart by the base and ring handle, lift it from the carton, and set it upright on the floor.
- 5) Place the basket hook into the receiver loop on the column and the poly tray into one of the quadrants of the ring handle.
- 6) Use the 4 provided flat head screws to attach the Monitor Plate Head Assembly to the battery housing.
- 7) Wipe the surface of the Keyboard Tray with isopropyl alcohol.
- 8) Remove the backing from one side of each of the Dual Lock tape sets. Attach each to an appropriate location on the bottom of the keyboard.
- 9) Remove the backing from the other side of the Dual Lock and position the keyboard on the Keyboard Tray. Press it firmly into place.
- 10) Remove the four screws that hold the access plate in place.
- 11) Insert all cables and wires and organize in the cable management housing.
- 12) Re-install the access plate. Firmly tighten screws in place.
- 13) Use M4 screws from monitor to secure the monitor to the monitor plate.

Height Adjustment

To raise stand, press down on foot ring. Note: When not in use for a period of time, use both hands with equal pressure and press down on ring handle slightly while stepping on foot ring. To lower stand, use both hands with equal pressure and press down on ring handle while stepping on foot ring.

Keyboard Adjustment

Adjust keyboard tray as needed by loosening the knobs provided

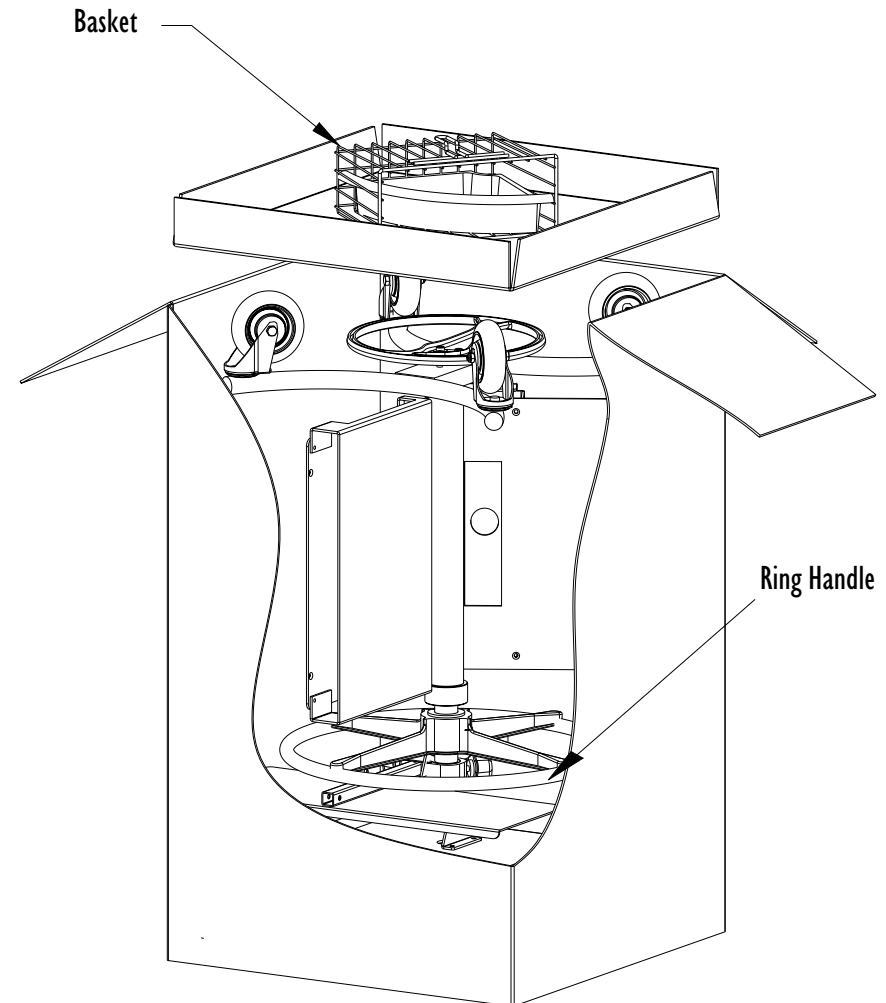


MANUFACTURERS OF **IBEAM**® PRODUCTS
OMNIMED INC.®

Instruction Sheet

Unpacking Computer Stand

- 1) Cut the straps holding the basket to the center column of the cart and remove the basket.
- 2) Unwrap the basket and unpack its contents. It should contain:
Casters (4) - Utility Tray
Caster Washers (4) - Dual Lock Mounting Tape (4 sets)
- 3) Assemble a caster and washer onto each leg as shown and tighten securely with the provided wrench.
- 4) With a second person, grasp the cart by the base and ring handle, lift it from the carton, and set it upright on the floor.
- 5) Place the basket hook into the slot in the basket collar and the utility tray into one of the quadrants of the ring handle.
- 6) Remove all remaining packing materials.



MANUFACTURERS OF **IBeam** PRODUCTS
OMNIMED INC.®