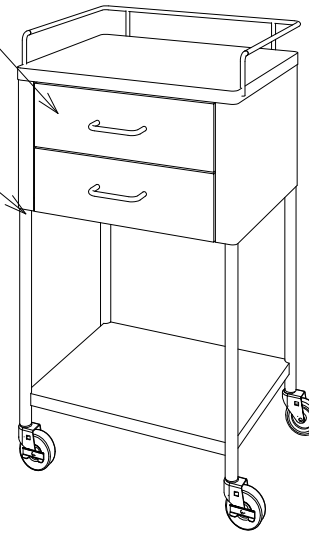


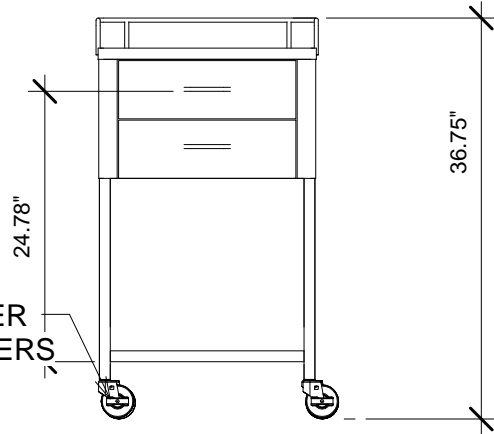
① Top
3/4" = 1'-0"

INNER DRAWER DIMENSIONS
14-1/2"W x 13-3/4"L x 3-3/4"D

1" Rd S/S TUBING
LEGS

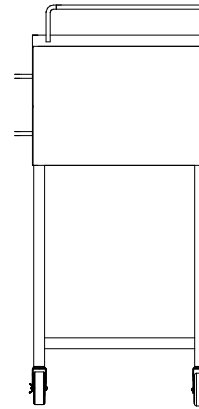


④ 3D View 1



(4) 3" DIAMETER
SWIVEL CASTERS
(2) W/BRAKES

② Front
3/4" = 1'-0"



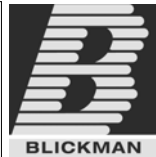
③ Right
3/4" = 1'-0"

ALL 304 S/S CONSTRUCTION

PO#: _____ DATE: _____

APPROVAL: _____

TITLE: _____



	NAME	DATE
DRAWN	JG	7-20-12
ENG APPR.		
MATERIAL		

BLICKMAN, INC
CLIFTON, NJ

TITLE: ANESTHESIA TABLE

GEORGE 7754SS

PROPRIETARY AND CONFIDENTIAL
THE INFORMATION CONTAINED IN THIS
DRAWING IS THE SOLE PROPERTY OF
BLICKMAN HEALTH INDUSTRIES. ANY
REPRODUCTION IN PART OR AS A WHOLE
WITHOUT THE WRITTEN PERMISSION OF
BLICKMAN HEALTH INDUSTRIES IS PROHIBITED.

UNLESS OTHERWISE SPECIFIED:
DIMENSIONS ARE IN INCHES
BEND RADIUS = MTL. THK.

TOLERANCES:
FRACTION: ± 1/32"
DECIMAL: ± .031"

FINISH

APPRX WEIGHT = lbs

DO NOT SCALE DRAWING

SIZE A	DWG. NO. 0227754000	REV
SCALE: 1:16	SHEET 1 OF 1	

5

4

3

2

1