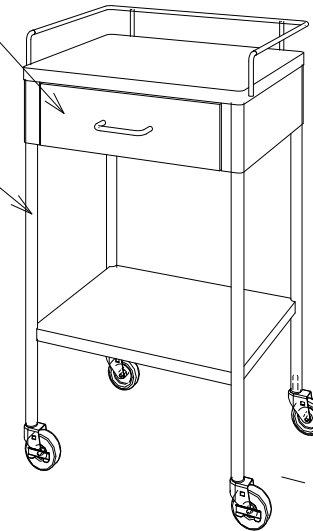


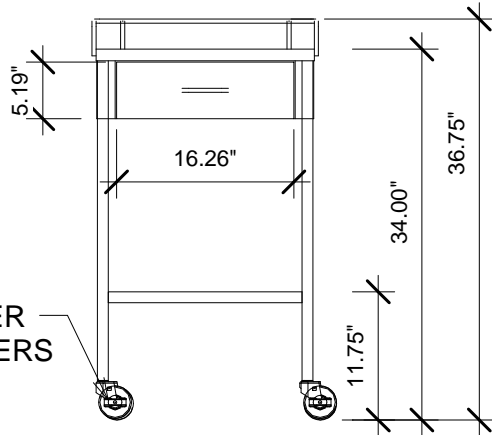
1 Top  
3/4" = 1'-0"

INNER DRAWER DIMENSIONS  
14-1/2"W x 13-3/4"L x 3-3/4"D

1" Rd S/S TUBING  
LEGS

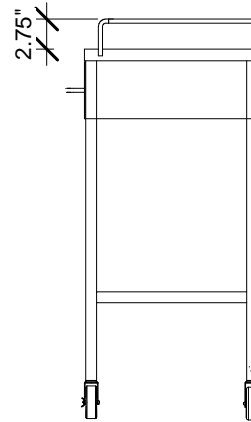


4 3D View 1



(4) 3" DIAMETER  
SWIVEL CASTERS  
(2) W/BRAKES

2 Front  
3/4" = 1'-0"



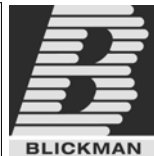
3 Right  
3/4" = 1'-0"

ALL 304 S/S CONSTRUCTION

PO#: \_\_\_\_\_ DATE: \_\_\_\_\_

APPROVAL: \_\_\_\_\_

TITLE: \_\_\_\_\_



	NAME	DATE
DRAWN	JG	7-20-12
ENG APPR.		
MATERIAL		
FINISH		
APPRX WEIGHT = lbs		
DO NOT SCALE DRAWING		

BLICKMAN, INC CLIFTON, NJ		
TITLE: ANESTHESIA TABLE		
FERGUSON 7850SS		
SIZE <b>A</b>	DWG. NO. 0217850000	REV
SCALE: 1:16	SHEET 1 OF 1	

PROPRIETARY AND CONFIDENTIAL  
THE INFORMATION CONTAINED IN THIS  
DRAWING IS THE SOLE PROPERTY OF  
BLICKMAN HEALTH INDUSTRIES. ANY  
REPRODUCTION IN PART OR AS A WHOLE  
WITHOUT THE WRITTEN PERMISSION OF  
BLICKMAN HEALTH INDUSTRIES IS PROHIBITED.

UNLESS OTHERWISE SPECIFIED:  
DIMENSIONS ARE IN INCHES  
BEND RADIUS = MTL THK.  
TOLERANCES:  
FRACTION: ± 1/32"  
DECIMAL: ± .031"