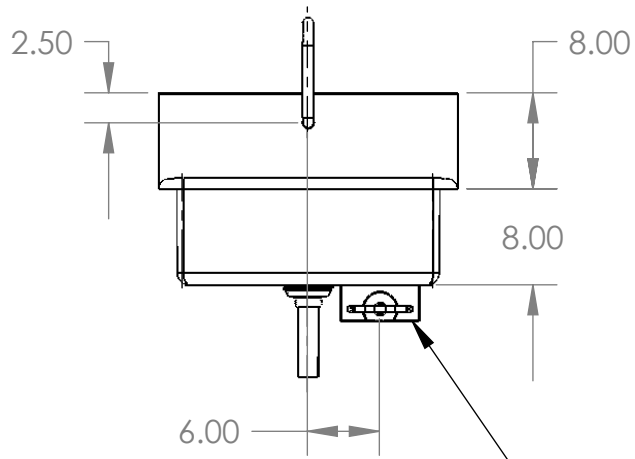
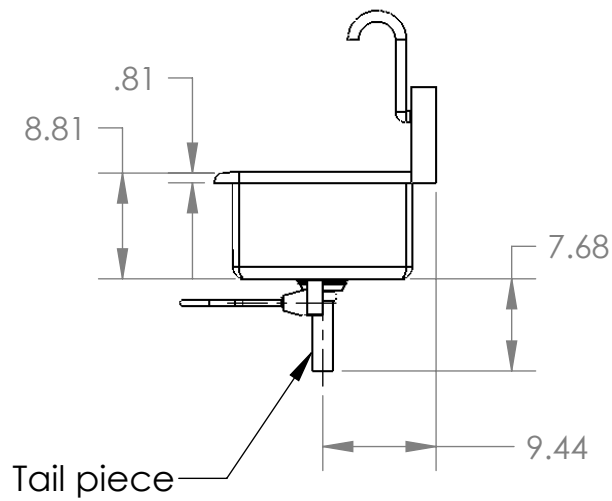


Knee valve



Knee Valve Bracket Mounts



Tail piece

PO#: _____ DATE: _____

APPROVAL: _____

TITLE: _____



PROPRIETARY AND CONFIDENTIAL
 THE INFORMATION CONTAINED IN THIS DRAWING IS THE SOLE PROPERTY OF BLICKMAN HEALTH INDUSTRIES. ANY REPRODUCTION IN PART OR AS A WHOLE WITHOUT THE WRITTEN PERMISSION OF BLICKMAN HEALTH INDUSTRIES IS PROHIBITED.

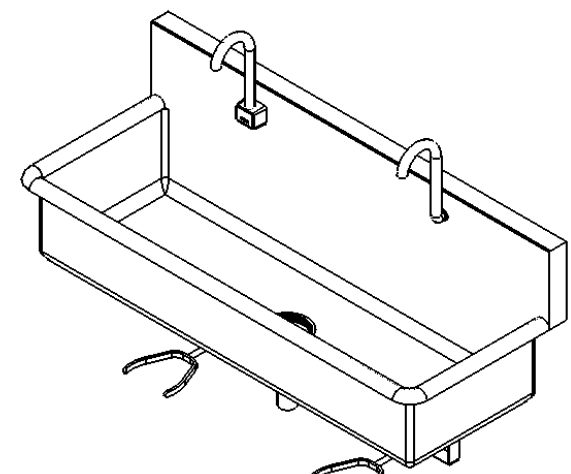
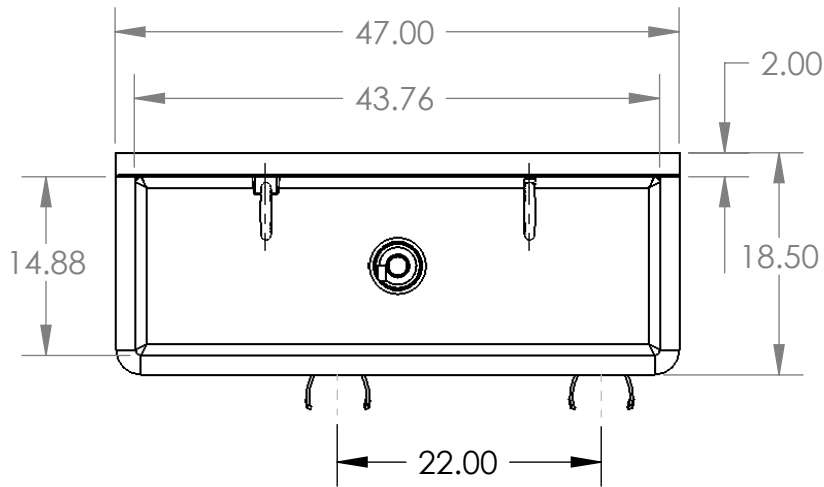
UNLESS OTHERWISE SPECIFIED:
 DIMENSIONS ARE IN INCHES
 BEND RADIUS = MTL. THK.
 TOLERANCES:
 FRACTION: ±1/32"
 DECIMAL: ±.031"

	NAME	DATE
DRAWN	AP	05/11/2007
ENG APPR.		
MATERIAL	N/A	
FINISH	N/A	
APPRX WEIGHT	= 26.885 lbs	
DO NOT SCALE DRAWING		

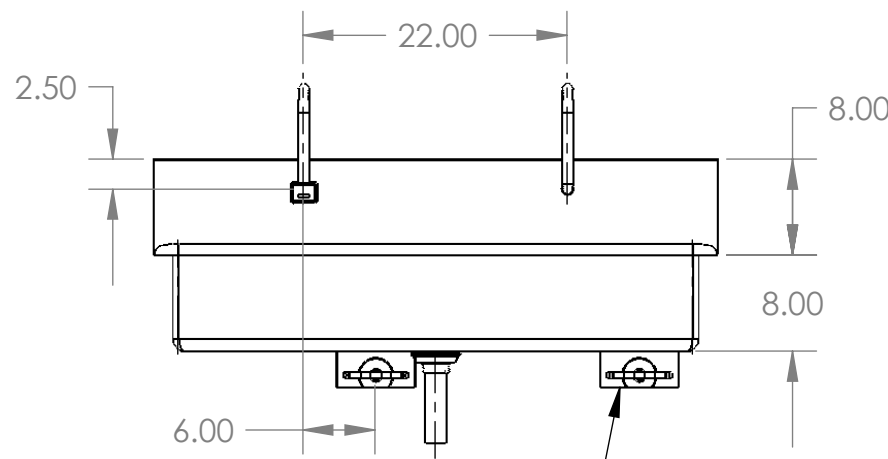
BLICKMAN HEALTH INDUSTRIES, INC.
 LODI, N.J.

TITLE:
**1 Station Scrub Sink
 w / Knee-action Valve**

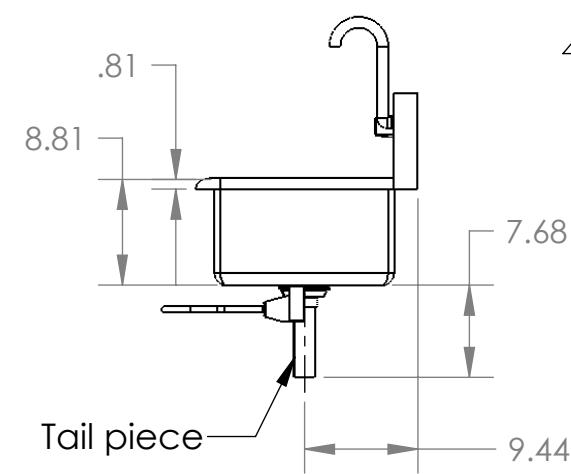
SIZE	DWG. NO.	REV
A	BHI 7878SS	
SCALE: 1:16		SHEET 1 OF 1



Knee valve



Knee Valve Bracket Mounts



Tail piece

PO#: _____ DATE: _____

APPROVAL: _____

TITLE: _____



PROPRIETARY AND CONFIDENTIAL
 THE INFORMATION CONTAINED IN THIS DRAWING IS THE SOLE PROPERTY OF BLICKMAN HEALTH INDUSTRIES. ANY REPRODUCTION IN PART OR AS A WHOLE WITHOUT THE WRITTEN PERMISSION OF BLICKMAN HEALTH INDUSTRIES IS PROHIBITED.

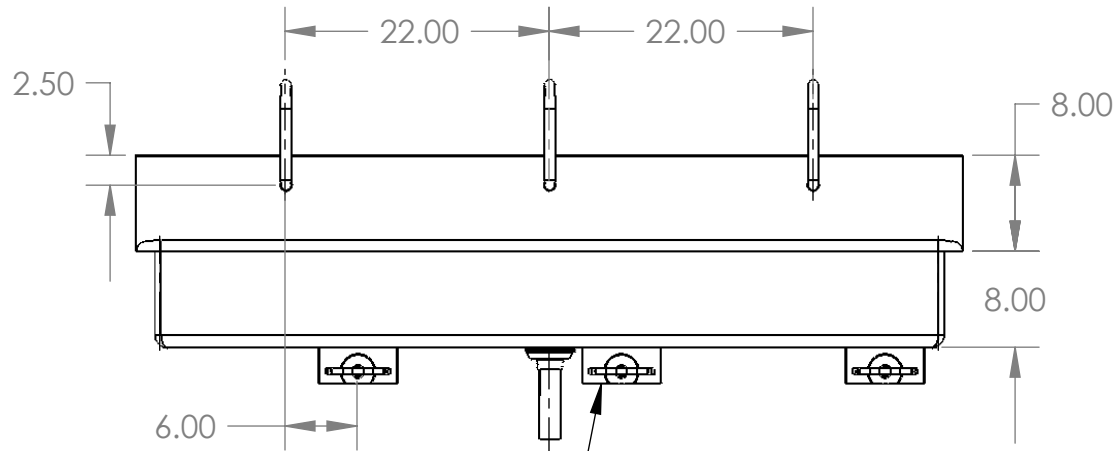
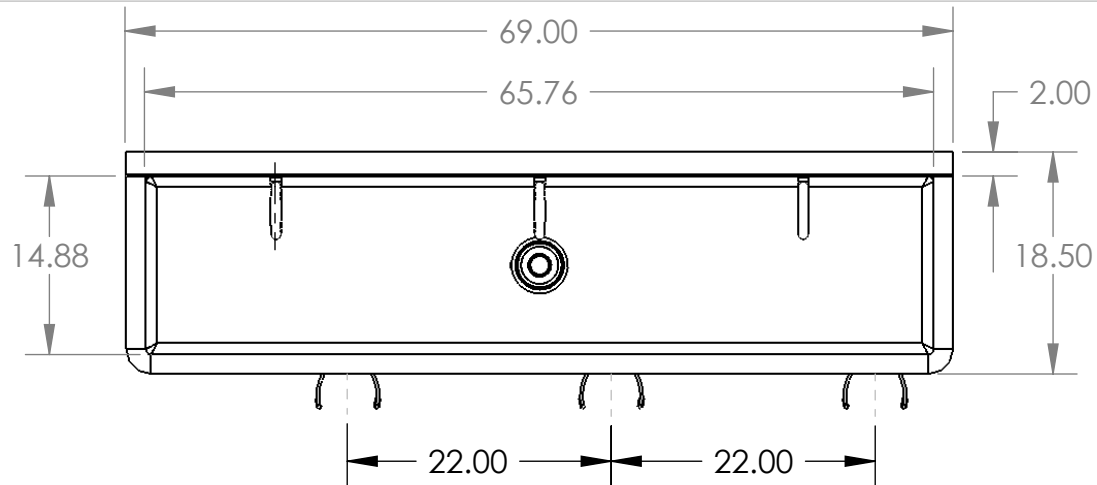
UNLESS OTHERWISE SPECIFIED:
 DIMENSIONS ARE IN INCHES
 BEND RADIUS = MTL. THK.
 TOLERANCES:
 FRACTION: $\pm 1/32"$
 DECIMAL: $\pm .031"$

	NAME	DATE
DRAWN	AP	05/11/2007
ENG APPR.		
MATERIAL	N/A	
FINISH	N/A	
APPRX WEIGHT	= 48.905 lbs	
DO NOT SCALE DRAWING		

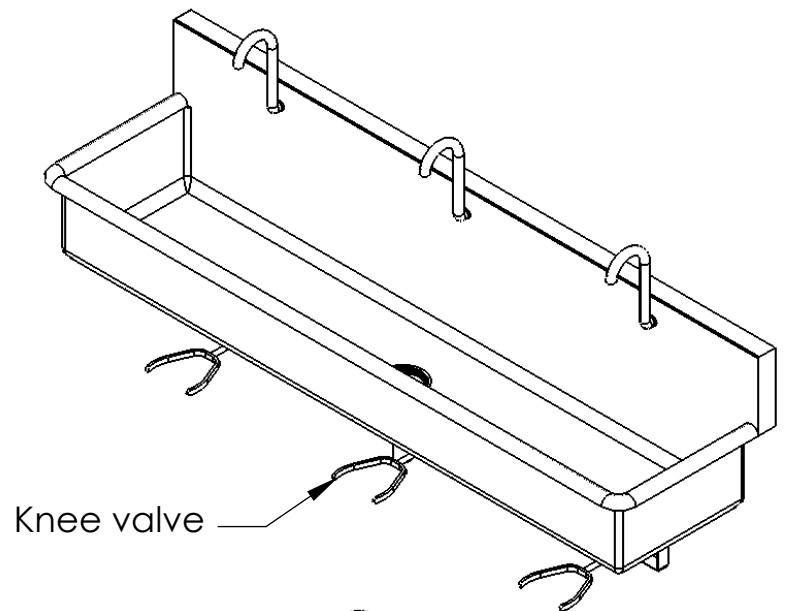
BLICKMAN HEALTH INDUSTRIES, INC.
 LODI, N.J.

TITLE:
**2 Station Scrub Sink
 w / Knee-action Valve**

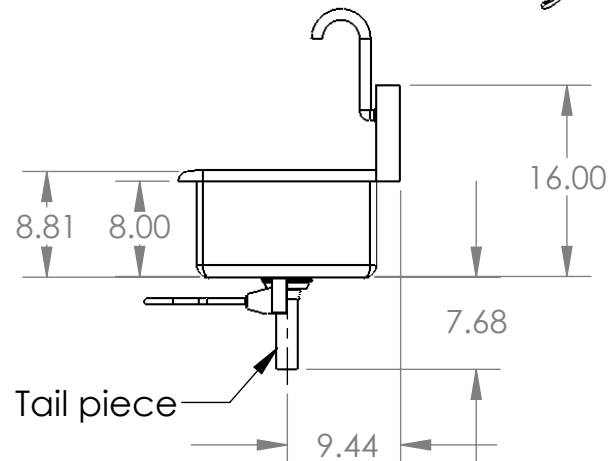
SIZE	DWG. NO.	REV
A	BHI 7879SS	
SCALE: 1:16		SHEET 1 OF 1



Knee Valve Bracket Mounts



Knee valve



Tail piece

BLICKMAN HEALTH INDUSTRIES, INC.
LODI, N.J.

PO#: _____ DATE: _____

APPROVAL: _____

TITLE: _____

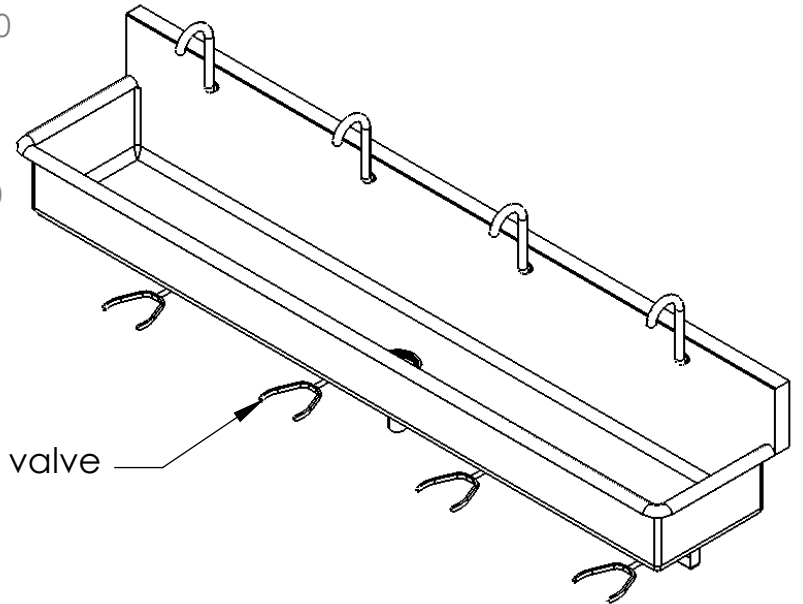
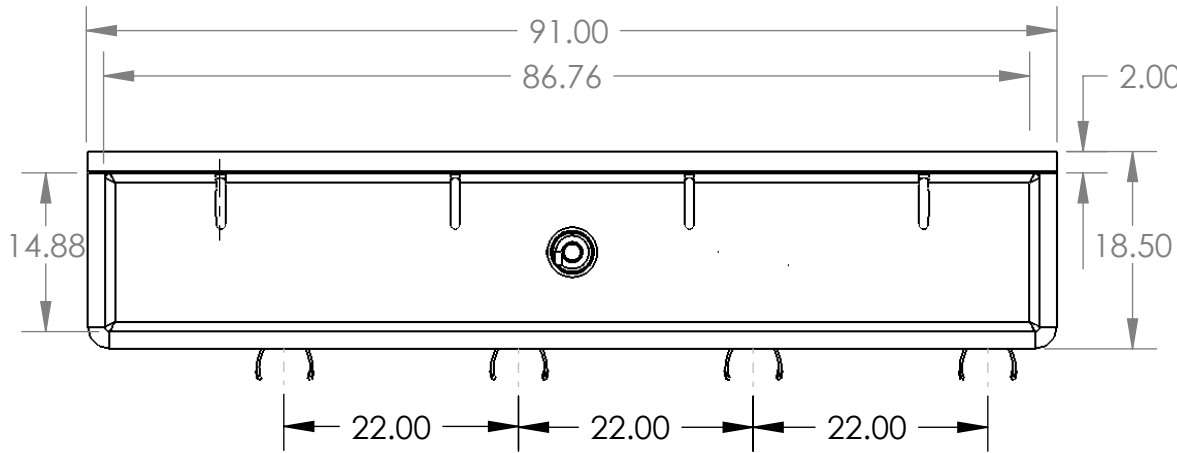


	NAME	DATE
DRAWN	AP	05/11/2007
ENG APPR.		
MATERIAL	N/A	
FINISH	N/A	
APPRX WEIGHT = 67.950 lbs		
DO NOT SCALE DRAWING		

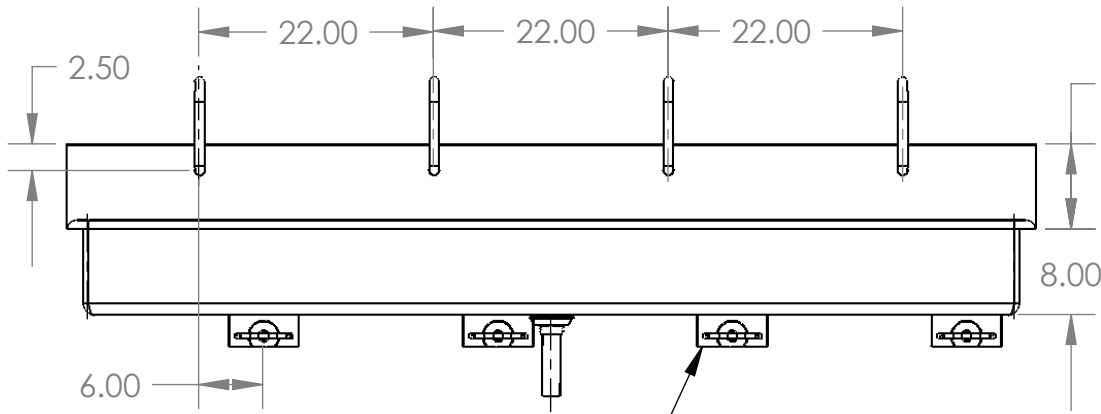
TITLE: 3 Station Scrub Sink w / Knee-action Valve		
SIZE A	DWG. NO. BHI 7880SS	REV
SCALE: 1:16	SHEET 1 OF 1	

PROPRIETARY AND CONFIDENTIAL
THE INFORMATION CONTAINED IN THIS DRAWING IS THE SOLE PROPERTY OF BLICKMAN HEALTH INDUSTRIES. ANY REPRODUCTION IN PART OR AS A WHOLE WITHOUT THE WRITTEN PERMISSION OF BLICKMAN HEALTH INDUSTRIES IS PROHIBITED.

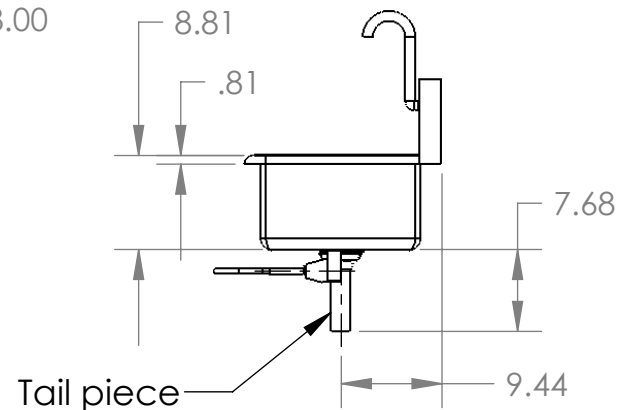
UNLESS OTHERWISE SPECIFIED:
DIMENSIONS ARE IN INCHES
BEND RADIUS = MTL. THK.
TOLERANCES:
FRACTION: ±1/32"
DECIMAL: ±.031"



Knee valve



Knee Valve Bracket Mounts



Tail piece

BLICKMAN HEALTH INDUSTRIES, INC.
LODI, N.J.

PO#: _____ DATE: _____

APPROVAL: _____

TITLE: _____



	NAME	DATE
DRAWN	AP	05/11/2007
ENG APPR.		
MATERIAL	N/A	
FINISH	N/A	
APPRX WEIGHT = 26.885 lbs		
DO NOT SCALE DRAWING		

TITLE:		
4 Station Scrub Sink w / Knee-action Valve		
SIZE	DWG. NO.	REV
A	BHI 7881SS	
SCALE: 1:18		SHEET 1 OF 1

PROPRIETARY AND CONFIDENTIAL
THE INFORMATION CONTAINED IN THIS DRAWING IS THE SOLE PROPERTY OF BLICKMAN HEALTH INDUSTRIES. ANY REPRODUCTION IN PART OR AS A WHOLE WITHOUT THE WRITTEN PERMISSION OF BLICKMAN HEALTH INDUSTRIES IS PROHIBITED.

UNLESS OTHERWISE SPECIFIED:
DIMENSIONS ARE IN INCHES
BEND RADIUS = MTL. THK.
TOLERANCES:
FRACTION: ±1/32"
DECIMAL: ±.031"