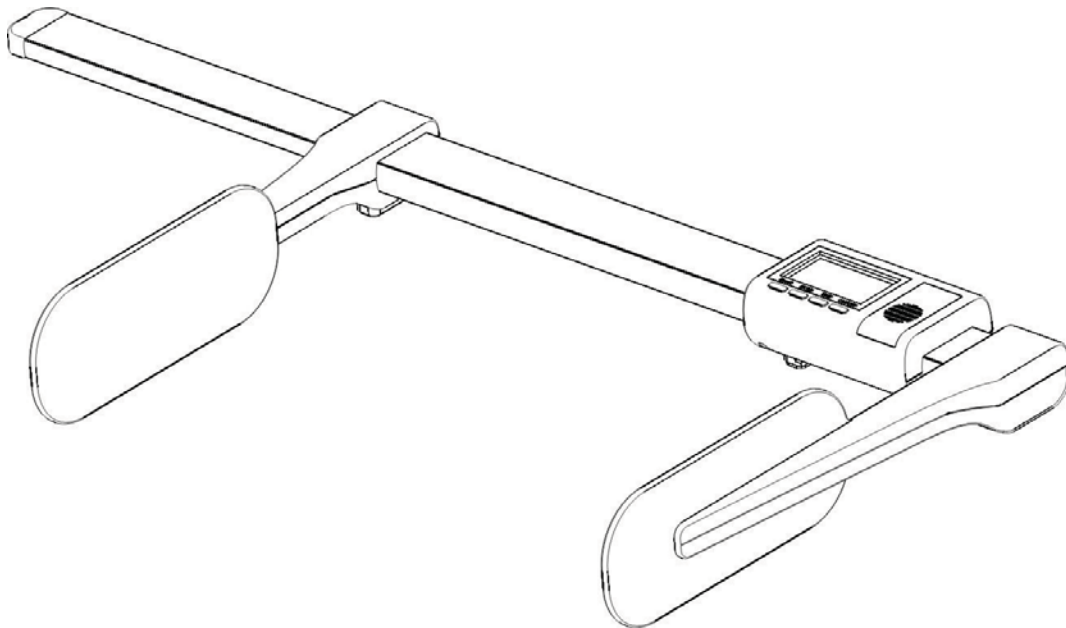


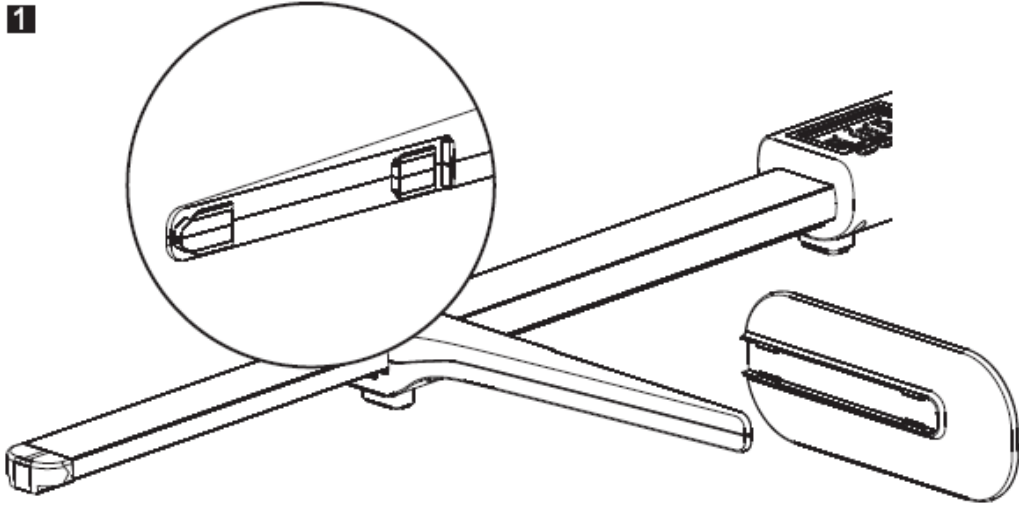


DLM
Digital Length Measuring
Device

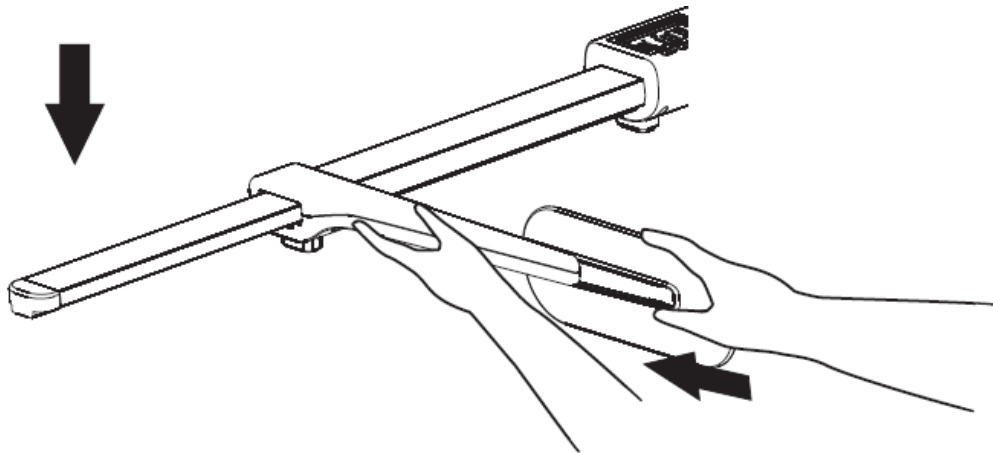


ASSEMBLY

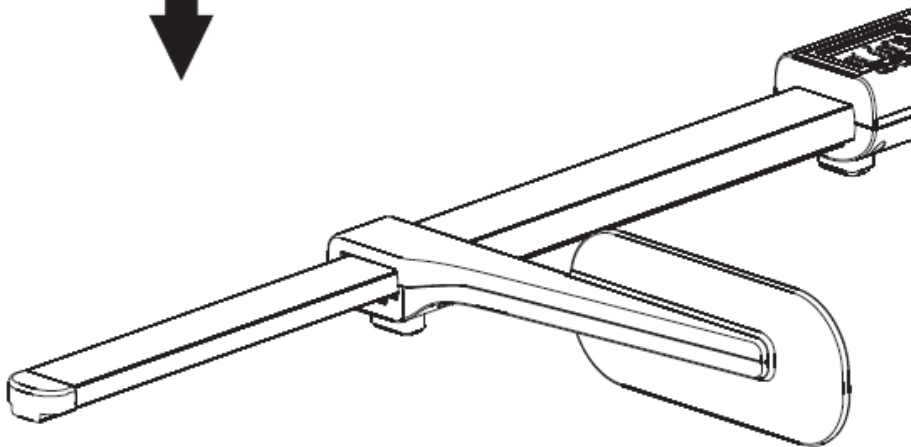
1



2

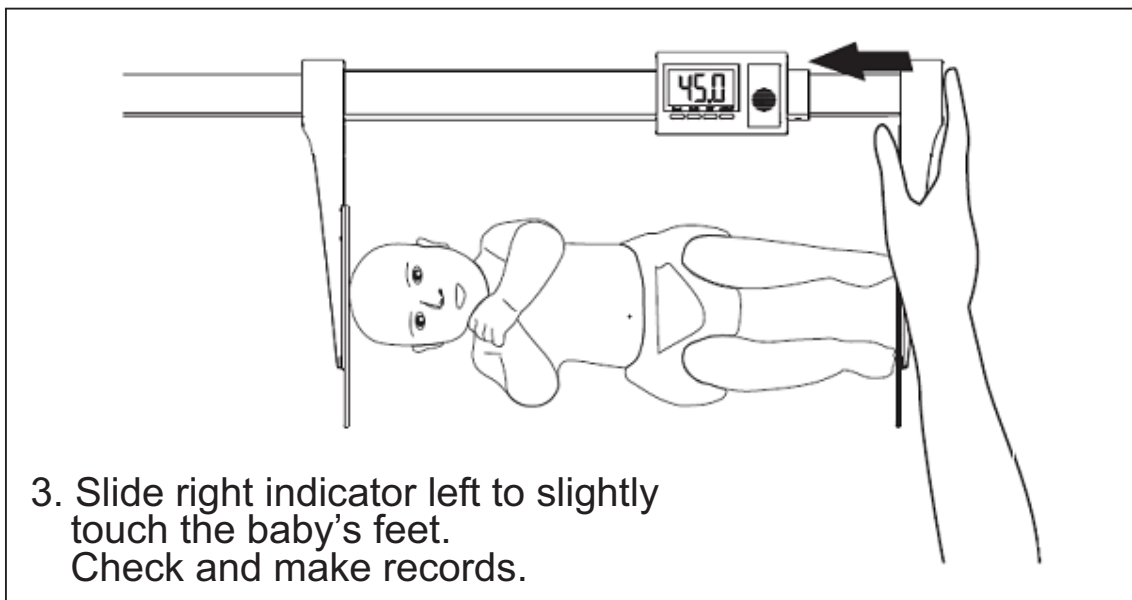
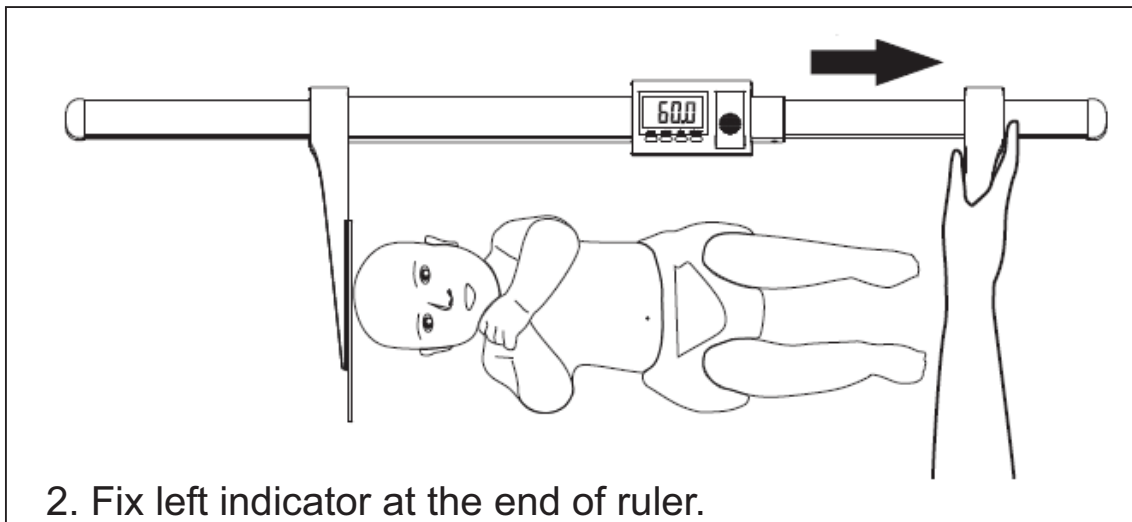
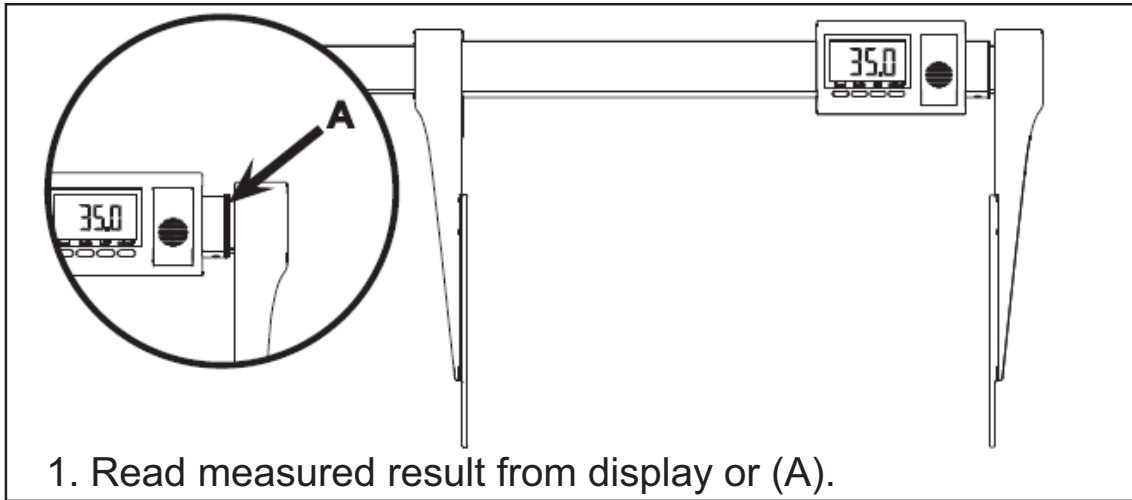


3





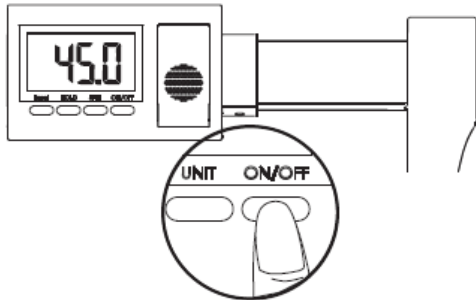
HOW TO MEASURE YOUR BABY



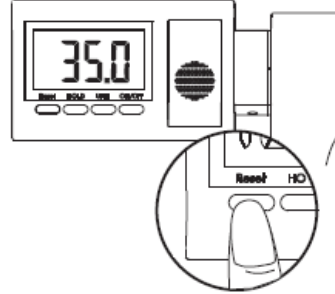
KEY FUNCTION

* To Calibrate The Height Measurement

1.



2.



■ ON/OFF ■ UNIT ■ HOLD

■ ON/OFF

1. Press this key to power up the height rod; the display will show current height
2. Press the ON/OFF key to switch off the height rod.

■ UNIT

1. Press this key to select height unit (cm and ft/ inch and inch).

■ HOLD

1. Press to hold the reading of height of baby when right plate slightly touches baby's feet.
2. Press again to release the reading.

■ Reset

1. Reset function: slide down indicator to end and press Reset kg to zero the system.

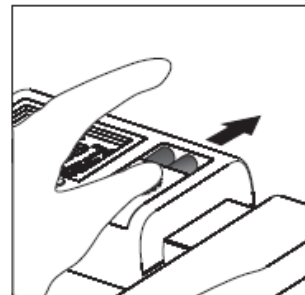
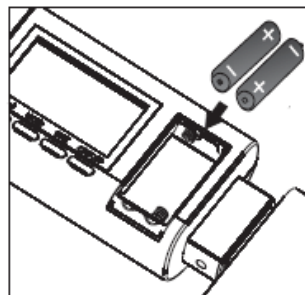
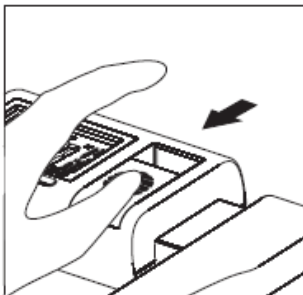
Measurement range: 35-80cm / 13 $\frac{3}{4}$ ~ 31 $\frac{1}{2}$ inch

Graduations: 1mm. $\frac{1}{16}$ inch

Dimensions (W x H x L): 29 x 7 x 62 cm

Weight: 700g

Temperature range: +10°C up to +40°C



*Batteries installation: 1.5V AAA x 2