



GH SERIES FULL FRAME GLOVE BOX HOLDER MOUNTING INSTRUCTIONS

IMPORTANT!
PLEASE READ THROUGH INSTRUCTIONS
CAREFULLY BEFORE STARTING INSTALLATION.

Unpacking

Open the carton containing the glove box holder and the mounting hardware. Remove all packing material. You should have the following components:

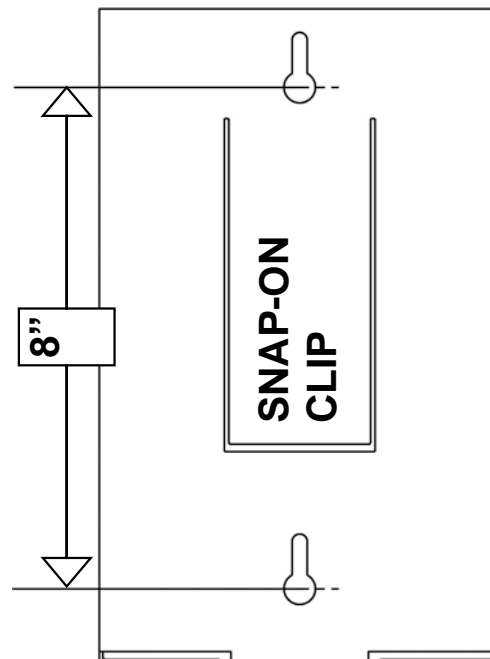
QTY	PART NO.	DESCRIPTION
1		GH SERIES FULL FRAME GLOVE BOX HOLDER
2	6021-1511	SCW PAN HEAD, SHEET METAL #10x1.5, PHILIP DR, ZINC PLATE, FASTENAL #31366
2	6030-0500	ANCHOR, WALL PLUG FOR #10x1-1/2" SCREW, SOLID WALL ANCHOR AF6-1/4, FASTENAL #50945

Tools Required

- Drill
- 1/4 Drill Bit
- #1 Philip Screwdriver

Installation

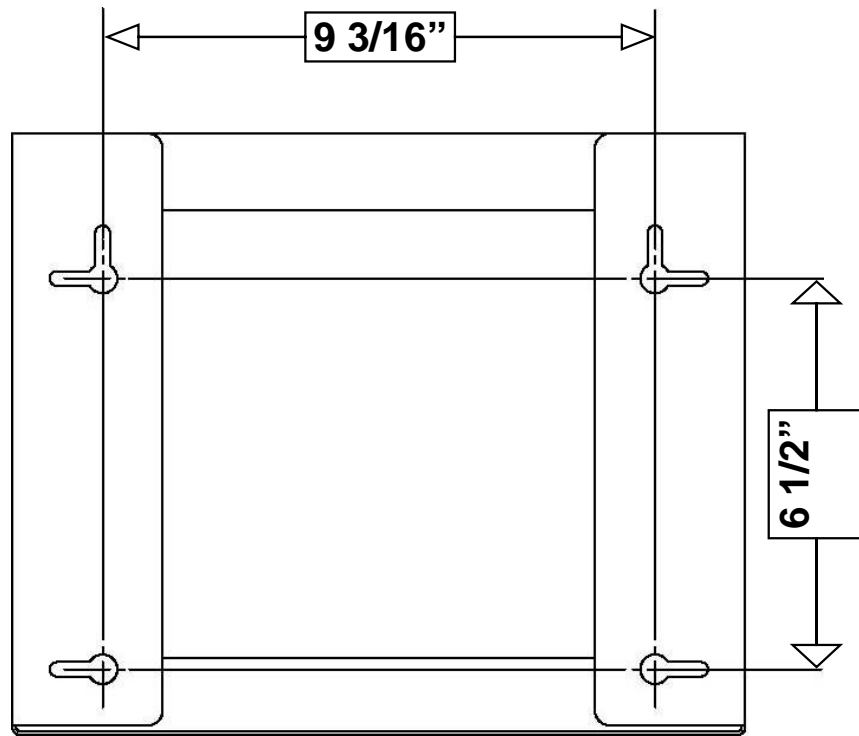
1. Determine the desired location and height of where the glove box holder is to be mounted.
2. Place the holder against the wall. Insure it is level and mark the holes to use to mount the holder.
3. Remove the holder and drill two 1/4" diameter holes for the mounting wall anchors.
4. Insert the wall anchors in the wall until they are flush with the wall.
5. Insert the screws into the anchors and then tighten the screws until about a 1/8" gap is between the screw head and the anchor.
6. Align the large end of the slotted holes in the holder over the screw heads and pull down to secure the holder to the wall.
7. The glove box holder is now ready for use.



1 Box Mounting Dimensions

MOUNTING INSTRUCTIONS, Cont.

2 Box Mounting Dimensions



3 Box Mounting Dimensions

