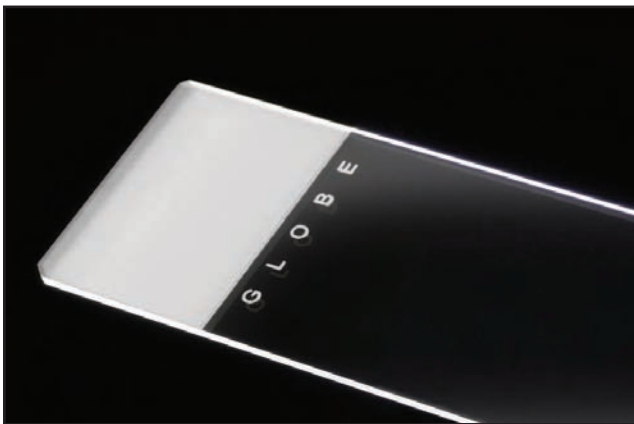


Microscope Slides, Ground Edges, Safety Corners

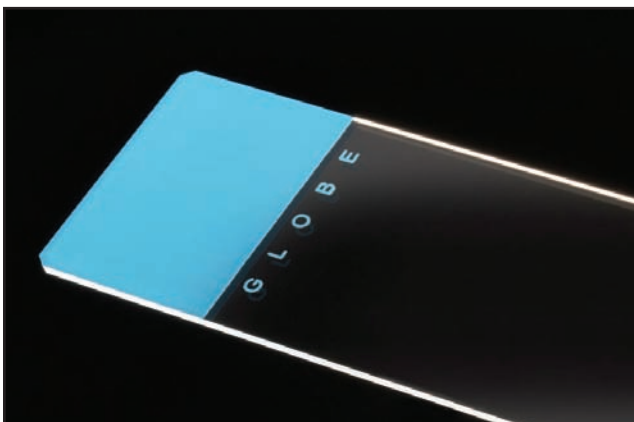
Item# 1321 / 1324 / 1328 / 1324A, 1324B, 1324D, 1324G, 1324L, 1324N, 1324P, 1324T, 1324W, 1324Y



1321 - Plain slide



1324 - Frosted slide



1324B - Blue color coded slide

Description

Globe Scientific's classic microscope slides are produced from the highest quality soda lime glass and are ideal for use in all routine applications. These ground edge slides with safety corners provide slightly clipped corners for comfortable handling and to prevent the risk of finger and hand cuts. The slides provide excellent quality while offering substantial savings. They are available in plain, frosted and color coded varieties.

Features

- Highest quality soda lime glass
- All slides are pre-cleaned and ready to use
- Available plain, frosted and color coded
- Clipped corners, ground edges
- Dimensions: 25mm x 75mm (±0.5mm)
- Thickness: 1.1mm (±0.05mm)

Packaging:

- 72/box,
20 boxes/case
(10 gross)



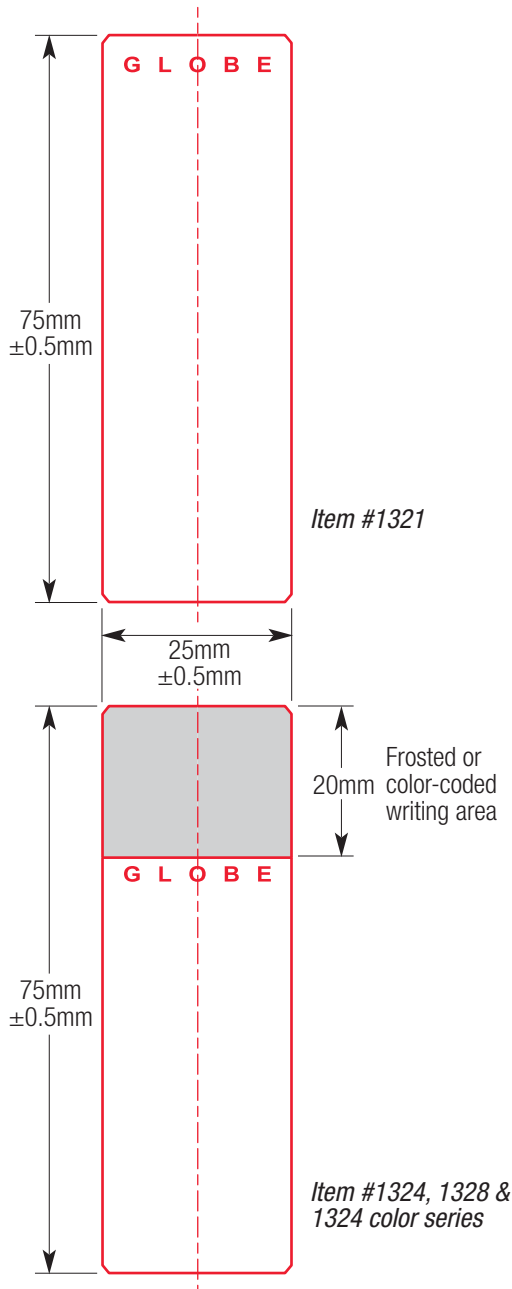
Products

| Item# | Description | Unit |
|-------|--|------|
| 1321 | Plain | 1440 |
| 1324 | Frosted 1 end, 1 side | 1440 |
| 1328 | Frosted 1 end, 2 sides | 1440 |
| 1324A | Frosted, aqua ● | 1440 |
| 1324B | Frosted, blue ● | 1440 |
| 1324D | Frosted, gold ● | 1440 |
| 1324G | Frosted, green ● | 1440 |
| 1324L | Frosted, lilac ● | 1440 |
| 1324N | Frosted, orange ● | 1440 |
| 1324P | Frosted, pink ● | 1440 |
| 1324T | Frosted, tan ● | 1440 |
| 1324W | Frosted, white ○ | 1440 |
| 1324Y | Frosted, yellow ● | 1440 |

Continued . . .

Microscope Slides, Ground Edges, Safety Corners

Item# 1321 / 1324 / 1328 / 1324A, 1324B, 1324D, 1324G, 1324L, 1324N, 1324P, 1324T, 1324W, 1324Y



Technical Specifications

Dimensions:

Width: 25mm (±0.5mm)

Length: 75mm (±0.5mm)

Thickness: 1.1mm (±0.05mm)

Chemical Composition: Substance by Weight(%)

Silicon Dioxide, SiO₂: 70~73

Alkaline Oxide, R₂O: 13~15

Calcium Oxide, CaO: 7~12

Magnesium Oxide, MgO: 1.0~4.5

Aluminum Oxide, Al₂O₃: 1.0~2.0

Ferric Oxide, Fe₂O₃: 0.08~0.14

Physical and Chemical Properties:

Thermal Coefficient of Expansion: (20°C~350°C) 90×10⁻⁷/°C

Softening Point: 730.0°C

Annealing Range: 540°C

Strain Point: 500°C

Specific Heat Capacity: 0.18cal/g°C

Thermal Conductivity: 0.65kcal/mh°C

Density: 2.5 g/cm³

Moh's Hardness: 6.5

Transmittance (400-700nm): 90%

Refractive Index: 1.52

Reflectivity: 4%

Stability and Reactivity:

Stability: Stable

Hydrolytic Resistance: Hydrolytic Class-HGB3 (ISO 719 or GB/T 6582)

Acid Resistance: Acid Class-H2 (DIN 12 116 or GB/T 15728)

Alkali Resistance: Alkali Class-A2 (DIN ISO 695 or GB/T 6580)

Hazardous Decomposition: Stable

Materials to Avoid: Strong Hot Alkali Solutions (Hydrofluoric, Fluosilicic and Phosphoric)